

OPEN FRAME LED MONITOR

15" TFT LCD, Rear OSD, 4:3 Display, Resolution 1024x768, VGA Video Input with 12V 2.5A External Power Adapter.

MODEL: iOP-1500



KEY BENEFITS

- Native resolution of 1280 x 1024
- Supports 16.2 million colors
- VGA video input
- Optional video decoding capability up to 1080p
- Rugged construction for enhanced mobility
- Built for professional use with 24/7 operational reliability
- Standard 2-year warranty, extendable up to 5 years

APPLICATIONS

- Broadcasting/Advertising
- Traffic control / Command center
- Directory / Ticket kiosk
- Surveillance system
- Vehicle mount display
- Bathroom TV

OPTIONS

- DC power
- Touchscreen
- IP65 front protection
- Custom chassis & mounting
- Sunlight readable panel
- Multi monitor OSD control module
- 3G/HD/SD-SDI input module
- Auto dimming
- Manual dimming

SPECIFICATIONS

LCD Panel	
Panel size (diagonal)	15"
Native resolution	1024 x 768
Brightness (cd/m ²)	350
Contrast ratio (typ.)	800:1
Colors	16.2 M
Viewing angle (L/R/U/D)	80/80/70/80
Response time (ms)	8
Dot pitch (mm)	0.297
Display area (mm)	304.128H x 228.096V
Surface treatment	Haze 25%
Surface hardness	-
Backlight type	LED
MTBF (hrs)	50,000

Mounting	
VESA mount	100 x 100 mm
Universal Mount	[ready]
Overhead tilted wall-mount	[optional]
Desktop stand	[optional]

Power	
Input	Auto-sensing 100 to 240VAC, 50 / 60Hz
Max. Consumption :	
Screen on	12W
Saving mode	4W
Button off	1W

Design	
Protection	Open frame
Front panel	-
Rear casing	Black, RAL 9005

Video	
VGA	Analog 0.7Vp-p

Video Option	
DVI	DVI-D single link
HDMI	HDMI 1.2/HDCP 1.1
Composite (BNC)	NTSC & PAL
S-Video (4-pin)	NTSC & PAL

Audio Option	
Audio input:	
Connector	3.5mm stereo jack
Impedance / Power level	30kn / 750mV
Audio output:	
Connector	3.5mm stereo jack
Resistance / Power level	30kn / 2.8V
Speaker:	
Dual stereo speaker	2Wx2

VGA / DVI input	
PC signal	1024x768x60/70/75Hz
	848 x 480 x 60Hz
	800 x 600 x 60 / 72 / 75Hz
	720 x 400 x 70Hz
	640 x 480 x 60 / 72 / 75Hz
Audio signal	640 x 400 x 70Hz
	640 x 350 x 70Hz
Audio signal	2ch Linear PCM

HDMI input	
PC signal	Same as VGA
HDMI 1.2	720 x 480 x 50 / 60Hz (576p / 480p)
Audio signal	2ch Linear PCM

*Specifications subject to change without notice, not responsible for typographical errors.

Modified Date: 07-10-2025

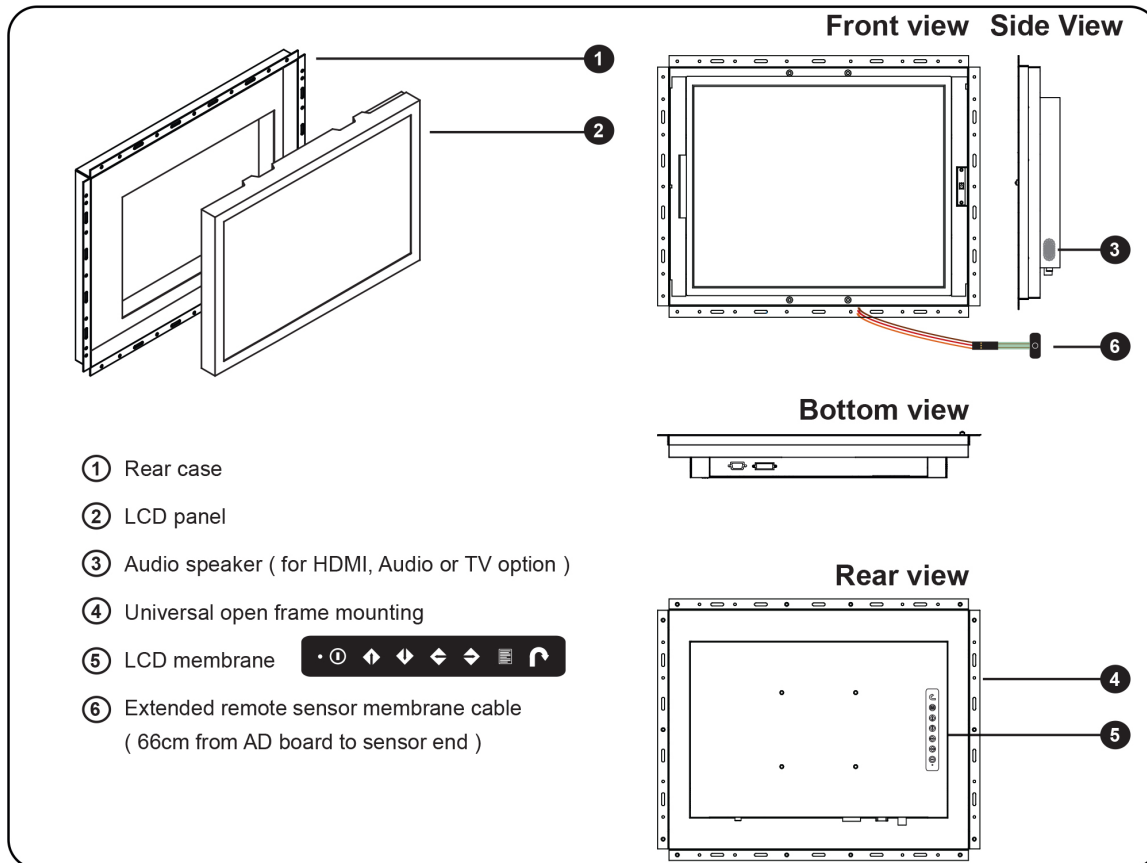
Environment	
Operating temp.	0 to 55°C degree
Storage temp.	-20 to 60°C degree
Operating humidity	10~90%, non-condensing
Storage humidity	5 ~90%, non-condensing
Operating altitude	16,000 ft
Non-operating altitude	40,000 ft
Shock	10G acceleration (11 ms duration)
Vibration	10~300Hz 0.5G RMS random

Compliance	
EMC	FCC & CE
Safety	CE/LVD&UKCA
Environment	REACH &RoHS3/WEEE

PHYSICAL DIMENSION & WEIGHT

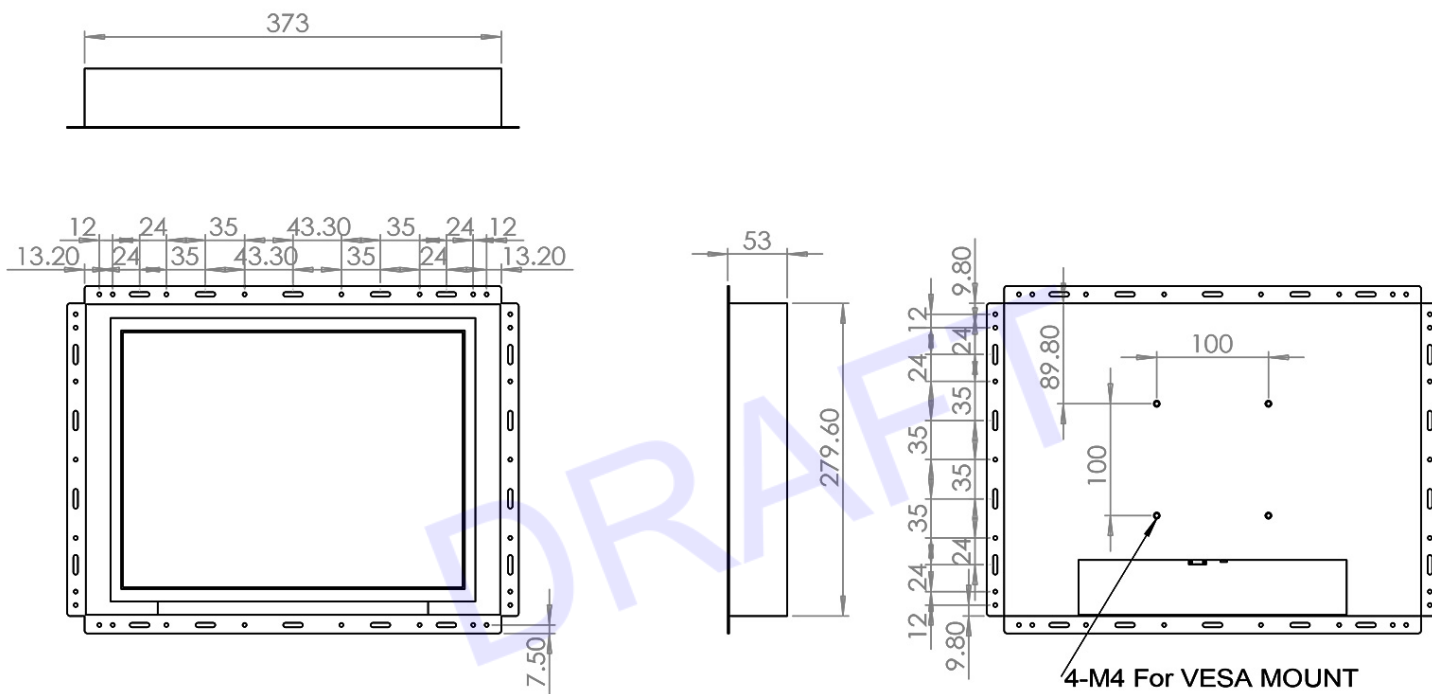
Product (W x D x H):	mm/inch	404 x 53.1 x 310.6 / 15.9 x 2.1 x 12.2
Net weight		3.5 kg / 7.7 lb
Packing(WxDxH):	mm/inch	615 x 113 x 523 / 24.2 x 4.4 x 20.6
Gross weight		6.1 kg / 13.4 lb

STRUCTURE DIAGRAM

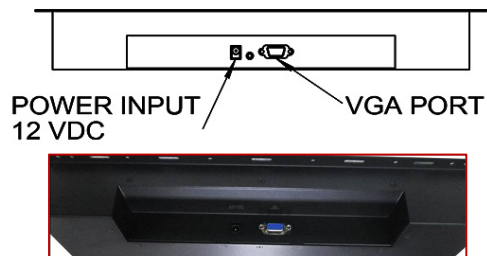


MECHANICAL DRAWINGS

This is subject to change without Notice. Final Drawings Will be Provided for Approval after Order.



Drawing No.: iOP-1500-06112025-V1



ACTUAL PICTURES



Reference #: SO 121275

Modified Date: 07-10-2025