

1U Rackmount 19" TFT LCD Monitor, 1920x1080 Native Resolution, 104-key keyboard with touchpad 1U Dual Slide 17" Widescreen LCD Console Drawer, 1920x1200 WUXGA resolution, 104-key keyboard with touchpad, full HD 1080p resolution, with 8-Ports 2K HDMI USB KVM All Cables are not included

Model: NW119HD-K8e



BENEFITS:

- 1U 19" FHD LCD console drawer
- 1920 x 1080 native resolution / 16.7M colors
- 104-key keyboard with either touchpad or trackball
- One Man installation design
- Enhanced aesthetics with new molded front panel and 2-point lock
- 2-year standard warranty (upgradable up to 5 years)

SPECIFICATIONS

LCD Panel	
Panel size (diagonal)	18.5"
Native resolution	1920 x 1080
Brightness (cd/m ²)	350
Contrast ratio (typ.)	1000 : 1
Colors	16.7 M
Viewing angle (L/R/U/D)	89/89/89/89
Response time (ms)	20
Dot pitch (mm)	0.213
Display area (mm)	408.98H x 230.04V
Surface treatment	Anti-glare, Hard-coating
Surface hardness	3H
Backlight type	LED
MTBF (hrs)	50,000

Physical		
Product (WxDxH)	Console w/ KVM	442 x 580 x 44 mm 17.4 x 22.8 x 1.73 inch
Packing (WxDxH)	Console w/ KVM	590 x 808 x 140 mm 23.2 x 31.8 x 5.5 inch
Net weight	Console w/ KVM	12.5 kg / 28 lb
Gross weight	Console w/ KVM	18.1 kg / 39.8 lb

Mounting Distance	
Console w/ KVM drawer	470 ~ 800 mm 18.5 ~ 31.5 inch


Compliance	
EMC	FCC, CE & CCC certified
Safety	CE / LVD & UKCA
Environment	RoHS2 & REACH compliant

**Specifications subject to change without notice, not responsible for typographical errors.*

Power		
Input	Auto-sensing 100 to 240VAC, 50 / 60Hz	
Consumption	Screen on	Max. 14W / Max. 45W
	Power saving mode	Max. 2W / Max. 34W
	Power button off	Max. 1W / Nil

Environment	
Operating temp.	-20 to 70°C degree
Storage temp.	-20 to 70°C degree
Operating humidity	20~90%, non-condensing
Storage humidity	5 ~90%, non-condensing
Operating altitude	16,000 ft
Non-operating altitude	40,000 ft
Shock	10G acceleration (11ms duration)
Vibration	10~300Hz 0.5G RMS random vibration

2K HDMI KVM

2K KVM		Remote	8-port
	0	0	NW119HD-K8e

2K KVM Cable



N2K-6D (6 ft)
DVI-D KVM cable
6ft 2K 60Hz

N2K-6H (6 ft)
HDMI KVM cable
6ft 2K 60Hz

Resolution 16:9 - max. 2560 x 1440
Support **: 16:10 - max. 1920 x 1200
 4:3 - max. 1600 x 1200

KVM FEATURES

- 2K KVM with 8 HDMI USB ports in 1U
- 2K KVM cables support DP & HDMI video input
- Local console & KVM ports support resolution 2K and 1080p.
- Multi-platform for PC, server, blade server & SUN / MAC
- Port switching via front button & keyboard hotkeys
- Hot pluggable, no software or drivers required

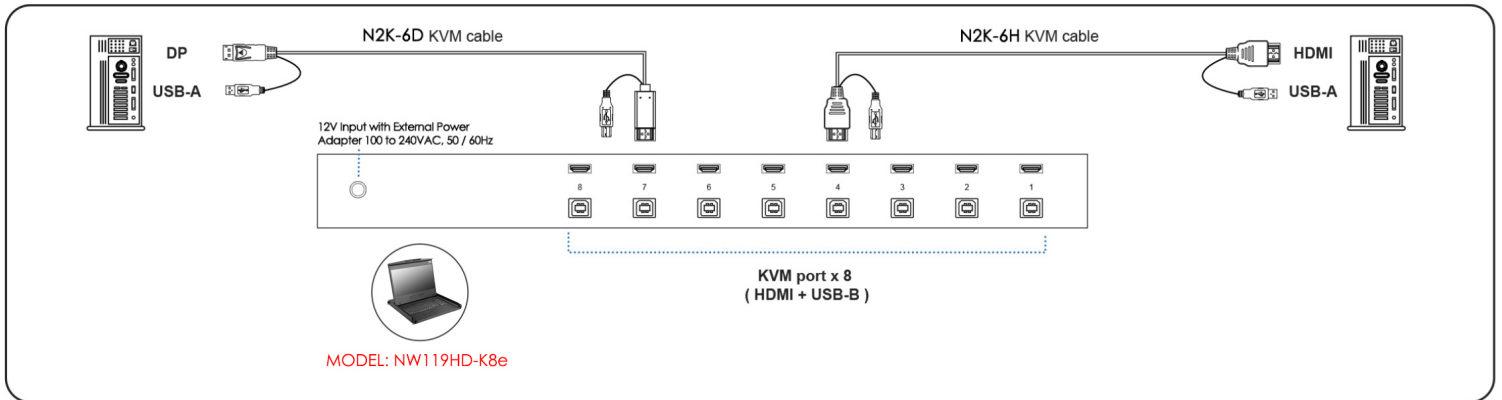
OPTIONS

DC power options: 12V / 24V / 48V / 125V

Local Console	
Keyboard / Mouse :	2 x USB-A
Video :	1 x HDMI 1.4
Resolution :	16 : 9 - max. 2560 x 1440@60H
	16 : 10 - max. 1920 x 1200@60Hz
	4 : 3 - max. 1600 x 1200@60Hz

KVM Port	
Port # :	8
Connector :	HDMI 1.4 + USB-B (Video + KB / MS)
Resolution :	16 : 9 - max. 2560 x 1440@60Hz
	16 : 10 - max. 1920 x 1200@60Hz
	4 : 3 - max. 1600 x 1200@60Hz

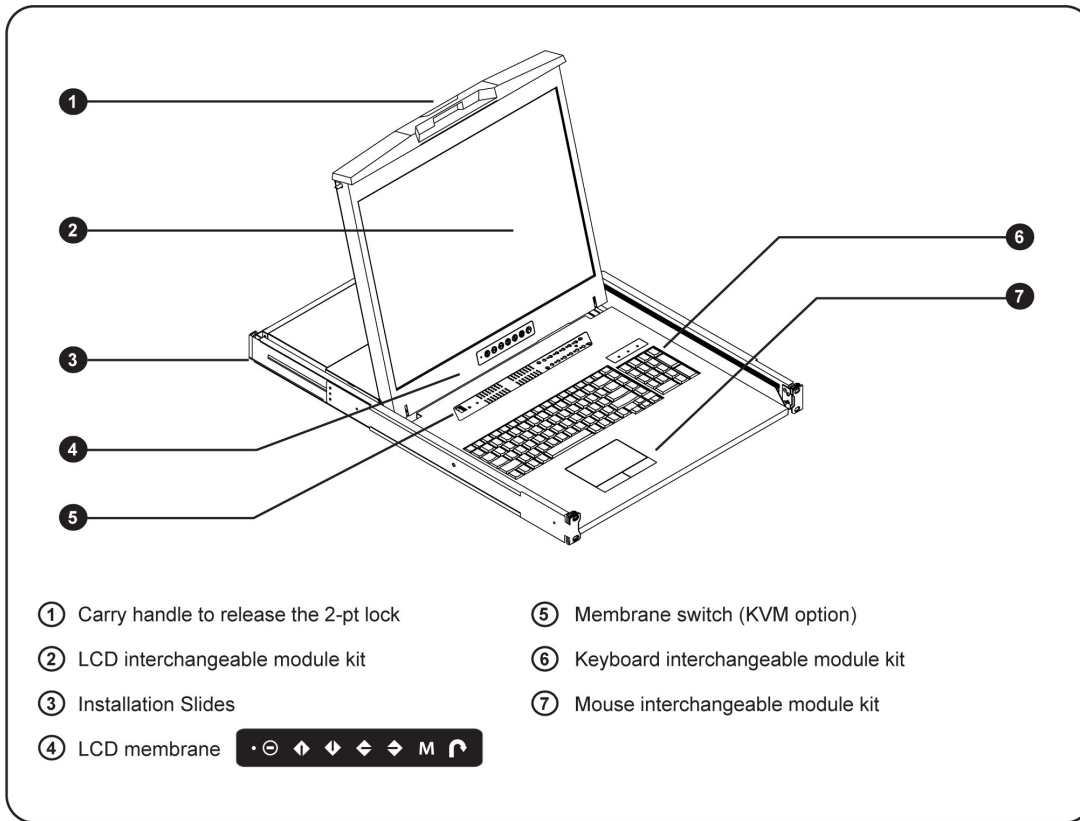
KVM PORT CONNECTION



Management	
Port switching	Front button & keyboard hotkeys
Compatibility	
Hardware	HP / IBM / Dell PC, Server and Blade Server SUN / Mac
OS support	Windows / Linux / Unix / Mac OS
Environment	
Operating temp.	0 to 55°C degree
Storage temp.	-20 to 60°C degree
Operating humidity	20~90%, non-condensing
Operating altitude	16,000 ft
Non-operating altitude	40,000 ft
Shock	10G acceleration (11ms duration)
Vibration	10~300Hz 0.5G RMS random vibration

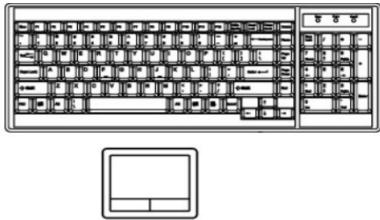
Power	
Input	Auto-sensing 100 to 240VAC, 50 / 60Hz
Consumption	Max. 10W
Compliance	
Safety	FCC & CE certified
Environment	RoHS2 & REACH compliant

STRUCTURE DIAGRAM

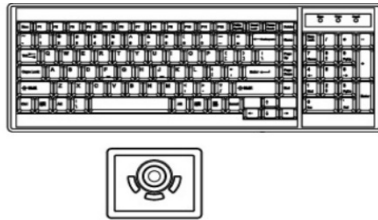


STANDARD KEYBOARD

e keyboard integrated with touchpad



b keyboard integrated with



Supporting layouts

America						
	U.S.					
EMEA						
	U.K.	Germany	France	Russia	Spain	Italy
Asia						
	Japan	Korea				

KEYBOARD OPTIONS (US layout only)

Me Mac keyboard with touchpad



Se S keyboard with touchpad

Mb Mac keyboard with trackball

Sb S keyboard with trackball

