



**1U 21" Wide 1920x1080 LCD Console Drawer with
8-Ports 2K HDMI USB KVM, 104-key keyboard
with touchpad**

MODEL: NVPW1215-8Ke



FEATURES:

- 1U 21" LCD console drawer
- Front USB hub port for device access
- 1920 x 1080 native resolution / 16.7M colors
- 104-key keyboard with either touchpad or trackball
- One Man installation design
- Enhanced aesthetics with new molded front panel and 2-point lock
- 2-year standard warranty (upgradable up to 5 years)

OPTIONS

- HDMI 1.4 / DP 1.0 video input
- Composite (BNC)
- 3G / HD / SD-SDI Broadcast-grade input
- Audio input & output
- DC power : 12V / 24V / 48V / 125V
- MAC or SUN Micro keyboard options available

SPECIFICATIONS:

LCD Panel	
Panel size (diagonal)	21.5"
Native resolution	1920 x 1080
Brightness (cd/m ²)	250
Contrast ratio (typ.)	1000 : 1
Colors	16.7 M
Viewing angle (L/R/U/D)	85/85/80/80
Response time (ms)	5
Dot pitch (mm)	0.248
Display area (mm)	476.64H x 268.11V
Surface treatment	Haze 25%, Hard-coating
Surface hardness	3H
Backlight type	LED
MTBF (hrs)	30,000

Mounting Distance	
Console w/ KVM drawer	630 ~ 940 mm 24.8 ~ 37 inch

Video Option		
Digital	HDMI	HDMI 1.4 / HDCP 1.4
	Display port	DP 1.0 / HDCP 1.3
Analog	Composite (BNC)	NTSC & PAL

Power		
Consumption (console / KVM)	Screen on	Max. 28W / Max. 62W
	Power saving mode	Max. 2W / Max. 34W
	Power button on	Max. 1W / Nil


Environment	
Operating temp.	0 to 55°C degree
Storage temp.	-20 to 60°C degree
Operating humidity	20~90%, non-condensing
Storage humidity	5 ~90%, non-condensing
Operating altitude	16,000 ft
Non-operating altitude	40,000 ft
Shock	10G acceleration (11ms duration)
Vibration	10~300Hz 0.5G RMS random vibration

Compliance	
EMC	FCC & CE certified
Safety	CE / LVD certified
Environment	RoHS2 & REACH compliant

Physical		
Dimensions; (W x D x H)	Console w/ KVM	442 x 770 x 44 mm
		17.4 x 30.3 x 1.73 inch
Packing (W x D x H)	Console w/ KVM	595 x 910 x 140 mm
		23.4 x 35.8 x 5.5 inch
Net weight	Console w/ KVM	15.5 kg / 34.1 lb
Gross weight	Console w/ KVM	21.4 kg / 47.1 lb

***Specifications subject to change without notice, not responsible for typographical errors.**

2K HDMI KVM

2K KVM		Remote	8-port
	0	0	NVPW1215-8K

2K KVM Cable



N2K-6D (6 ft)
DVI-D KVM cable
6ft 2K 60Hz

N2K-6H (6 ft)
HDMI KVM cable
6ft 2K 60Hz

Resolution Support ** :
16:9 - max. 2560 x 1440
16:10 - max. 1920 x 1200
4:3 - max. 1600 x 1200

Local Console	
Keyboard / Mouse :	2 x USB-A
Video :	1 x HDMI 1.4
Resolution :	16 : 9 - max. 2560 x 1440@60Hz
	16 : 10 - max. 1920 x 1200@60Hz
	4 : 3 - max. 1600 x 1200@60Hz

KVM FEATURES

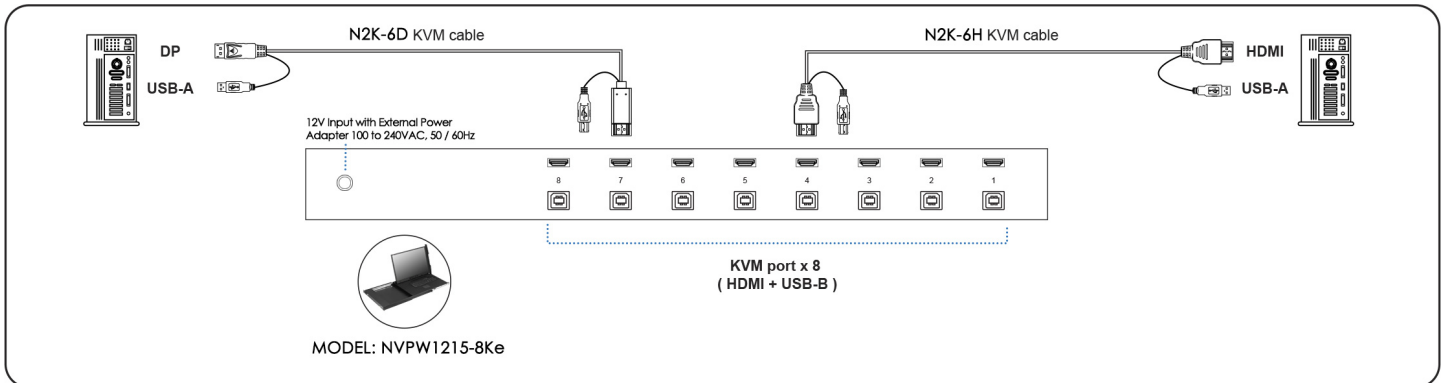
- 2K KVM with 8 HDMI USB ports in 1U
- 2K KVM cables support DP & HDMI video input
- Local console & KVM ports support resolution 2K and 1080p.
- Multi-platform for PC, server, blade server & SUN / MAC
- Port switching via front button & keyboard hotkeys
- Hot pluggable, no software or drivers required

OPTIONS

DC power options: 12V / 24V / 48V / 125V

KVM Port	
Port # :	8
Connector :	HDMI 1.4 + USB-B (Video + KB / MS)
Resolution :	16 : 9 - max. 2560 x 1440@60Hz
	16 : 10 - max. 1920 x 1200@60Hz
	4 : 3 - max. 1600 x 1200@60Hz

LOCAL CONSOLE & KVM PORT CONNECTION



Management	
Port switching	Front button & keyboard hotkeys
Compatibility	
Hardware	HP / IBM / Dell PC, Server and Blade Server SUN / Mac
OS support	Windows / Linux / Unix / Mac OS
Environment	
Operating temp.	0 to 55°C degree
Storage temp.	-20 to 60°C degree
Operating humidity	20~90%, non-condensing
Operating altitude	16,000 ft
Non-operating altitude	40,000 ft
Shock	10G acceleration (11ms duration)
Vibration	10~300Hz 0.5G RMS random vibration

Power	
Input	Auto-sensing 100 to 240VAC, 50 / 60Hz
Consumption	Max. 10W
Compliance	
Safety	FCC & CE certified
Environment	RoHS2 & REACH compliant

STANDARD KEYBOARD

e keyboard integrated with touchpad



b keyboard integrated with trackball



Supporting layouts

America



United States

EMEA



United Kingdom



Germany



France



Spain



Italy

Asia



Japan



Korea

KEYBOARD OPTIONS (US layout only)

Me Mac keyboard with touchpad



Mb Mac keyboard with trackball

Se S keyboard with touchpad

Sb S keyboard with trackball

