

2U 17" 4K Multi-display Console Drawer with 8-Ports
4K HDMI USB KVM, 104-key keyboard with
touchpad (LH mounted)

Model: NVP2DW17-84Ke-L



Key Benefits

- 2U 22" short depth design
- Light weight only 46.2 lbs / 21 kgs
- Rugged construction for mobility & durability
- Built-in solid bearing slide rails
- Built-in dual stereo speaker (per display)
- Five LED backlit display selections (4K)
- 104-key keyboard with either touchpad or trackball (PS2 / USB)
- Fits 24" ~ 36" rack via adjustable mounting brackets
- 2-year standard warranty (upgradable up to 5 years)

Options

- DC power : 12V / 24V / 48V / 125V
- 3G / HD / SD-SDI Broadcast-grade input
- Touchscreen for
- Front USB Hub Port for Device Access
- HDMI video input
- MAC or SUN Micro keyboard
- USB keyboard & mouse selector

The NVP2DW17-84Ke-L 2U dual display console drawer is designed for Command and Control Systems which demand quick deployment of side by side displays.

2U 22" depth platform allows for small size and transit case portability. To ensure chassis ruggedness, mobility and quality, as well as being suitable for harsh environment applications, the NVP3DW17-84Ke-L drawer is meticulously constructed by a team of experts in our own CNC facilities for such applications.

The key benefit of the NVP2DW17-84Ke-L is the choice of different resolution panels including 4K 17" LED backlit displays. 4K 17" displays satisfy the increasing demands for higher graphical and text requirements. A solid 104 key keyboard is integrated with either touchpad or trackball.

Specifications

LCD Panel	
Native resolution	3840 x 2160@60Hz
Panel size (diagonal)	17.3"
Refresh rate (Hz)	60
Standard Brightness (cd/m ²)	400
High Brightness (cd/m ²) - Option	/
Contrast ratio (typ.)	1000 : 1
Colors	16.7 M, 8-bit
Viewing angle (L/R/U/D)	89/89/89/89
Response time (ms)	Max. 16
Dot pitch (mm)	0.0995
Display area (mm)	382.12H x 214.94V
Surface treatment	Anti-glare
Surface hardness	3H
Backlight type	LED
MTBF (hrs)	15,000

Video	
Package	DP 1.2 / HDCP 1.3
Option	HDMI 2.0 / HDCP 2.2

Capacitive Touch screen Option

Technology	Projected Capacitive
Touch Point	10 point touch standard
Input Type	Finger or Capacitive Stylus
Resolution	4096 x 4096
Touch Point Accuracy	± 2 mm
Response Speed	< 5 ms
Activation Force	< 5 g
Surface Hardness	6H
Light Transmission	> 85%
Haze	3%J.
Durability	50 million touches
Top Layer	1.8 mm Glass
Bottom Layer	0.7 mm Sensor Glass
Thickness	2.7 mm ± 0.1 mm
Connector	USB
Compatibility	Windows 7 / XP / Linux / Mac

Resistive Touch screen Option

Technology	5-Wire Resistive
Touch Point	Single
Input Type	Finger or Stylus
Resolution	2048 x 2048
Response Speed	15 ms
Activation Force	< 50 g
Surface Hardness	3H
Light Transmission	80% ± 3%
Haze	8% ± 3%
Durability	10 million touches
Top Layer	ITO Film
Bottom Layer	ITO Glass
Thickness	3.2 ± 0.2 mm
Connector	USB Type A
Compatibility	Windows 7 / XP / Linux / Mac

Power		
Input		
Consumption per panel	Screen on	Max. 21W
	Power saving	Max. 2W
	Power button off	Max. 1W

Physical		
Product (W x D x H)	mm	441.6 x 550 x 88
	inch	17.4 x 21.7 x 3.5
Packing (W x D x H)	mm	580 x 683 x 197
	inch	22.8 x 26.9 x 7.8
Net Weight	Triple display	25.7 kg / 56.5 lb
	Dual display	21 kg / 46.2 lb
Gross Weight	Triple display	31.1 kg / 68.4 lb
	Dual display	26 kg / 57.2 lb
Chassis color	Dark	
Chassis materials	Steel	

Compliance	
EMC	FCC & CE certified
Safety	CE / LVD certified
Environment	RoHS2 & REACH compliant

Environment	
Operating temp.	0 to 55°C degree
Storage temp.	-20 to 60°C degree
Operating	20~90%, non-condensing
Storage humidity	5 ~90%, non-condensing
Operating altitude	16,000 ft
Non-operating	40,000 ft
Shock	10G acceleration (11ms duration)
Vibration	10~300Hz 0.5G RMS random vibration

***Specifications subject to change without notice, not responsible for typographical errors.**

KVM Benefits

- 4K KVM with 8 HDMI USB ports in 1U
- 4K KVM cables support DP & HDMI video input
- USB hub port share peripheral devices among computers
- Local console & KVM ports support resolution 4K, 2K and 1080p.
- Multi-platform for PC, server, blade server & SUN / MAC
- Port switching via front button & keyboard hotkeys
- Hot pluggable, no software or drivers required

4k KVM Cable



NK6DP
DP KVM cable
6ft 4K 60Hz



NK6H
HDMI KVM cable
6ft 4K 60Hz

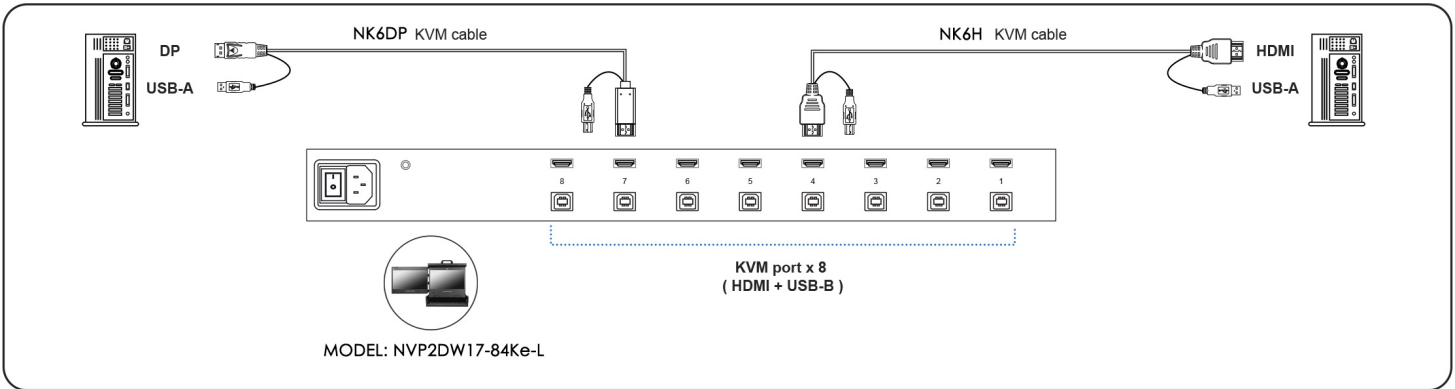
Options

DC power options: 12V / 24V / 48V / 125V

KVM Port	
Port # :	8
Connector :	HDMI 2.0 + USB-B (Video + KB / MS)
Resolution :	16 : 9 - max. 3840 x 2160@60Hz
	16 : 10 - max. 1920 x 1200@60Hz
	4 : 3 - max. 1600 x 1200@60Hz

Local Console	
Keyboard / Mouse :	2 x USB-A
Video :	1 x HDMI 2.0
Resolution :	16 : 9 - max. 3840 x 2160@60Hz
	16 : 10 - max. 1920 x 1200@60Hz
	4 : 3 - max. 1600 x 1200@60Hz

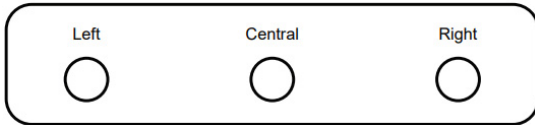
Local Console & KVM Port Connection



Management	
Port switching	Front button & keyboard hotkeys
Compatibility	
Hardware	HP / IBM / Dell PC, Server and Blade Server SUN / Mac
OS support	Windows / Linux / Unix / Mac OS
Environment	
Operating temp.	0 to 55°C degree
Storage temp.	-20 to 60°C degree
Operating humidity	20~90%, non-condensing
Operating altitude	16,000 ft
Non-operating altitude	40,000 ft
Shock	10G acceleration (11ms duration)
Vibration	10~300Hz 0.5G RMS random vibration

Power	
Input	Auto-sensing 100 to 240VAC, 50 / 60Hz
Consumption	Max. 10W
Compliance	
Safety	FCC & CE certified
Environment	RoHS2 & REACH compliant

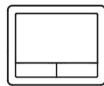
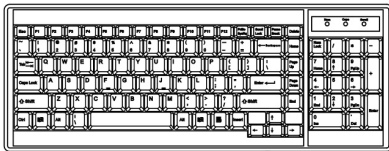
USB Keyboard & Mouse Selector



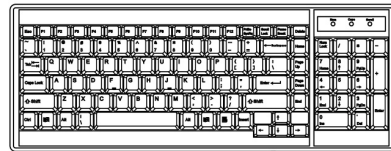
- Enables 2 or 3 computers to share keyboard & mouse.
- Easily switch to any of your connected computers with the press of a button

Standard Keyboard

e keyboard integrated with touchpad



b keyboard integrated with trackball



Supporting layouts

America		United States			
EMEA					
	United Kingdom	Germany	France	Spain	Norway
	Italy	Russia	Switzerland	Netherlands	Portugal
Asia					
	China	Japan	Korea	Arabia	Turkey

Keyboard Layout options

Me Mac keyboard with touchpad



Mb Mac keyboard with trackball

Se S keyboard with touchpad

Sb S keyboard with trackball

