

1U Rackmount 20" 104 Key Notepad Keyboard with Touchpad with 8-port 2K KVM, 104-key keyboard with Touchpad HDMI KVM (Cable NOT included)

Model: NVP120-K8e



BENEFITS:

- 1U 20" LCD console drawer
- 1600 x 1200 native resolution / 16.7M colors
- 104-key keyboard with touchpad
- One Man installation design
- Enhanced aesthetics with molded front handle and two point lock
- 2-year standard warranty (upgradable up to 5 years)

OPTIONS:

- HDMI 1.3 video input (AV3.0)
- 3G / HD / SD-SDI Broadcast-grade input (SDI)
- S-Video + Composite (BNC)
- DC power : 12V / 24V / 48V / 125V
- MAC or SUN Micro keyboard options available

SPECIFICATIONS

LCD Panel	
Panel size (diagonal)	20.1"
Native resolution	1600 x 1200
Brightness (cd/m ²)	300
Contrast ratio (typ.)	800 : 1
Colors	16.7 M
Viewing angle (L/R/U/D)	89/89/89/89
Response time (ms)	16
Dot pitch (mm)	0.255
Display area (mm)	408H x 306V
Surface treatment	Anti-glare, Hard-coating
Surface hardness	3H
Backlight type	CCFL
MTBF (hrs)	45,000

Compliance	
EMC	FCC, CE
Safety	CE / LVD & UKCA
Environment	RoHS3 & REACH

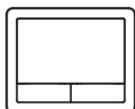
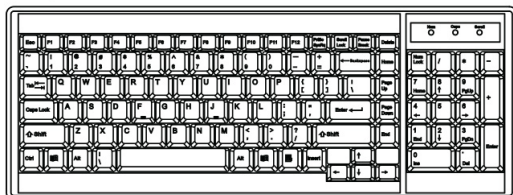
Power		
Input	Auto-sensing 100 to 240VAC, 50 / 60Hz	
Consumption (console / KVM)	Screen on	Max. 45W / Max. 78W
	Power saving mode	Max. 2W / Max. 34W
	Power button off	Max. 1W / Nil

Environment	
Operating temp.	0 to 55°C degree
Storage temp.	-20 to 60°C degree
Operating humidity	20~90%, non-condensing
Storage humidity	5 ~90%, non-condensing
Operating altitude	16,000 ft
Non-operating altitude	40,000 ft
Shock	10G acceleration (11ms duration)
Vibration	10~300Hz 0.5G RMS random vibration










*Specifications subject to change without notice, not responsible for typographical errors.

STANDARD KEYBOARD

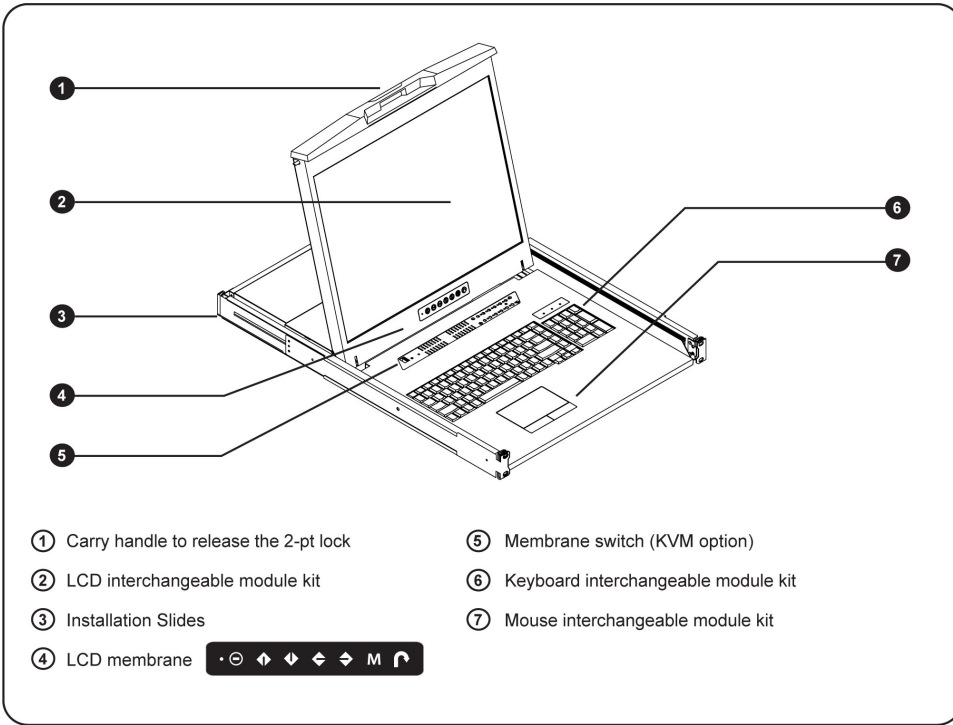
Ge G keyboard with touchpad



Supporting layouts

America						
	U.S.					
EMEA						
	U.K.	Germany	France	Russia	Spain	Italy
Asia						
	Japan	Korea				

STRUCTURE DIAGRAM



2K HDMI KVM

2K KVM	IP	Remote	8-port
	0	0	NVP120-K8e

2K KVM Cable



N2K-6D (6 ft)
DVI-D KVM cable
6ft 2K 60Hz

N2K-6H (6 ft)
HDMI KVM cable
6ft 2K 60Hz

Resolution Support ** :

16:9 - max. 2560 x 1440

16:10 - max. 1920 x 1200

4:3 - max. 1600 x 1200

KVM FEATURES

- 2K KVM with 8 HDMI USB ports in 1U
- 2K KVM cables support DP & HDMI video input
- Local console & KVM ports support resolution 2K and 1080p.
- Multi-platform for PC, server, blade server & SUN / MAC
- Port switching via front button & keyboard hotkeys
- Hot pluggable, no software or drivers required

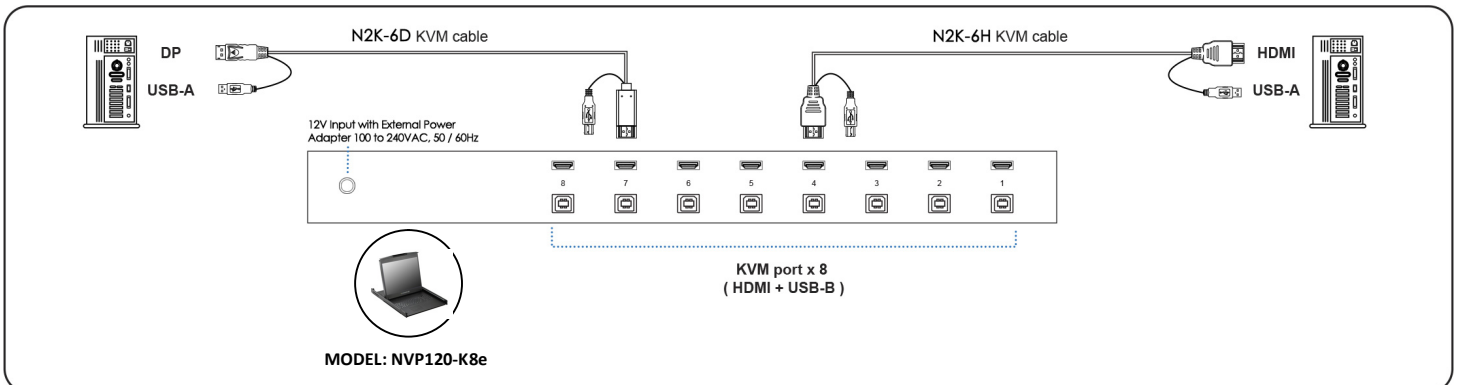
OPTIONS

DC power options: 12V / 24V / 48V / 125V

Local Console	
Keyboard / Mouse :	2 x USB-A
Video :	1 x HDMI 1.4
Resolution :	16 : 9 - max. 2560 x 1440@60H
	16 : 10 - max. 1920 x 1200@60Hz
	4 : 3 - max. 1600 x 1200@60Hz

KVM Port	
Port # :	8
Connector :	HDMI 1.4 + USB-B (Video + KB / MS)
Resolution :	16 : 9 - max. 2560 x 1440@60Hz
	16 : 10 - max. 1920 x 1200@60Hz
	4 : 3 - max. 1600 x 1200@60Hz

LOCAL CONSOLE & KVM PORT CONNECTION



Management	
Port switching	Front button & keyboard hotkeys
Compatibility	
Hardware	HP / IBM / Dell PC, Server and Blade Server SUN / Mac
OS support	Windows / Linux / Unix / Mac OS
Environment	
Operating temp.	0 to 55°C degree
Storage temp.	-20 to 60°C degree
Operating humidity	20~90%, non-condensing
Operating altitude	16,000 ft
Non-operating altitude	40,000 ft
Shock	10G acceleration (11ms duration)
Vibration	10~300Hz 0.5G RMS random vibration

Power	
Input	Auto-sensing 100 to 240VAC, 50 / 60Hz
Consumption	Max. 10W
Compliance	
Safety	FCC & CE certified
Environment	RoHS2 & REACH compliant