

1U 17" LCD Keyboard KVM drawer, Combo Single Console, G keyboard w/ Touch pad & Audio-in w/ Speakers & "External Power Adapter", HDMI + Audio + VGA.

Include cable NB-6A (6ft Long VGA x 1, USB x 1 Keyboard and USB 1 x Mouse)

Production Dimension: 17.4 x 1.73 x 18.1" Deep
 New Version in 2022 Added HDMI (Video and Audio)

MODEL: NVP117e-AU-H



BENEFITS:

- 1U 17" LCD console drawer
- 1280 x 1024 native resolution / 16.7M colors
- 104-key keyboard with either touchpad or trackball
- Short depth design of 460mm and 500mm respectively
- One Man installation design
- New enhanced aesthetics with molded front handle
- 2-year standard warranty (upgradable up to 5 years)

OPTIONS:

- HDMI 1.4 + DVI-D + Audio in & out + Speakers (AV4.4)
- HDMI 1.4 + Speakers (HDMI)
- S-Video + Composite + Speakers (BNC)
- 3G / HD / SD-SDI Broadcast-grade input + Speakers (SDI)
- Front USB hub port for device access (USB)
- 2-post rack mounting brackets (ORB-2.1)
- DC power : 12V / 24V / 48V / 125V / 250V
- SUN Micro keyboard option
- 17" Touchscreen: Projected Capacitive 10-pt / Resistive 1-pt

SPECIFICATIONS

Console Port	
Video input	HDMI+VGA
KB / MS	USB interface
VGA console 6ft cable : NB-6A	Drawer end : DB-15 + USB type A x 2 Server end : DB-15 + USB type A x 2

LCD Panel	
Panel size (diagonal)	17"
Native resolution	1280 x 1024
Brightness (cd/m ²)	250
Contrast ratio (typ.)	1000 : 1
Colors	16.7 M
Viewing angle (L/R/U/D)	85/85/80/80
Response time (ms)	5
Dot pitch (mm)	0.264
Display area (mm)	337.92H x 270.33V
Surface treatment	Haze 25%, Hard-coating
Surface hardness	3H
Backlight type	LED
MTBF (hrs)	30,000

Physical		
Product (WxDxH)	Single console	442 x 460 x 44 mm 17.4 x 18.1 x 1.73 inch
	Console w/ KVM	442 x 580 x 44mm 17.4 x 22.8 x 1.73 inch
Packing (WxDxH)	Single console / Console w/ KVM	590 x 815 x 140 mm 23.2 x 32.1 x 5.5 inch
	Net weight	Single console
Console w/ KVM		13 kg / 28.6 lb
Gross weight	Single console	16.6 kg / 36.5 lb
	Console w/ KVM	19 kg / 41.8 lb

Mounting Distance	
Single console drawer	470 ~ 700 mm 18.5 ~ 27.6 inch
Console w/ KVM drawer	470 ~ 800 mm 18.5 ~ 31.5 inch

Video Option		
Digital	DVI	DVI-D single link
	HDMI	HDMI 1.4 / HDCP 1.4
Analog	S-Video (4-pin)	NTSC & PAL
	Composite (BNC)	NTSC & PAL

HDMI

NVP117 chassis extension in depth to 480mm (18.9")

S-Video & Composite

NVP117 chassis extension in depth to 530mm (20.9")

Audio Option		
Input	Connector	3.5mm stereo jack
	Impedance / Power level	30kΩ / 750mV
Output	Connector	3.5mm stereo jack
	Resistance / Power level	30kΩ / 2.8V
Speaker	Dual stereo	2W x 2

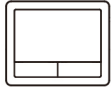
Power		
Input	Auto-sensing 100 to 240VAC, 50 / 60Hz	
Consumption (console / KVM)	Screen on	Max. 22W / Max. 55W
	Power saving mode	Max. 2W / Max. 34W
	Power button off	Max. 1W / Nil

Environment	
Operating temp.	-20 to 65°C degree
Storage temp.	-20 to 65°C degree
Operating humidity	20~90%, non-condensing
Storage humidity	5 ~90%, non-condensing
Operating altitude	16,000 ft
Non-operating altitude	40,000 ft
Shock	10G acceleration (11ms duration)
Vibration	10~300Hz 0.5G RMS random vibration

Compliance	
EMC	FCC, CE certified
Safety	CE / LVD, UKCA & CCC
Environment	RoHS3 & REACH / WEEE

STANDARD KEYBOARD

Ge G keyboard with touchpad



Gb G keyboard with trackball



Supporting layouts

America



U.S.

EMEA



U.K.



Germany



France



Russia



Spain



Italy

Asia



Japan



Korea

KEYBOARD OPTIONS

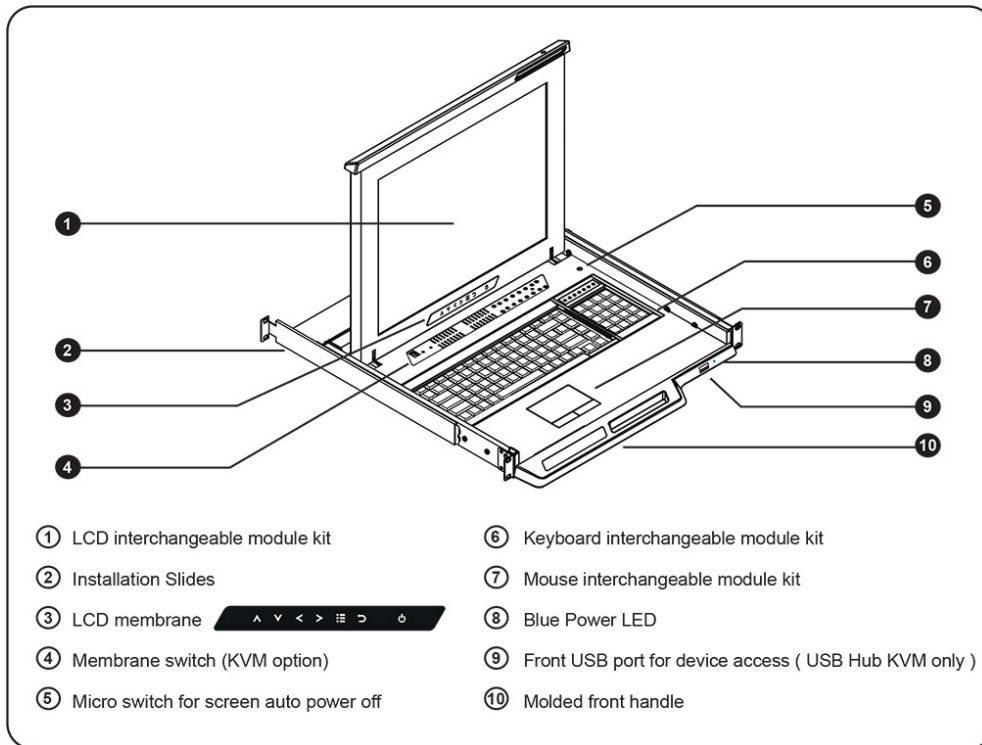
* US layout only

Se S keyboard with touchpad

Sb S keyboard with trackball



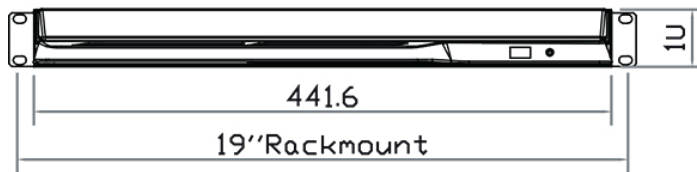
STRUCTURE DIAGRAM



DIMENSION

This is subject to change without Notice. Final Drawings Will be Provided for Approval after Order.

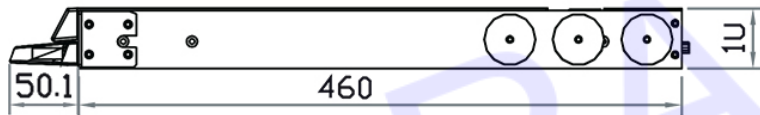
Front View



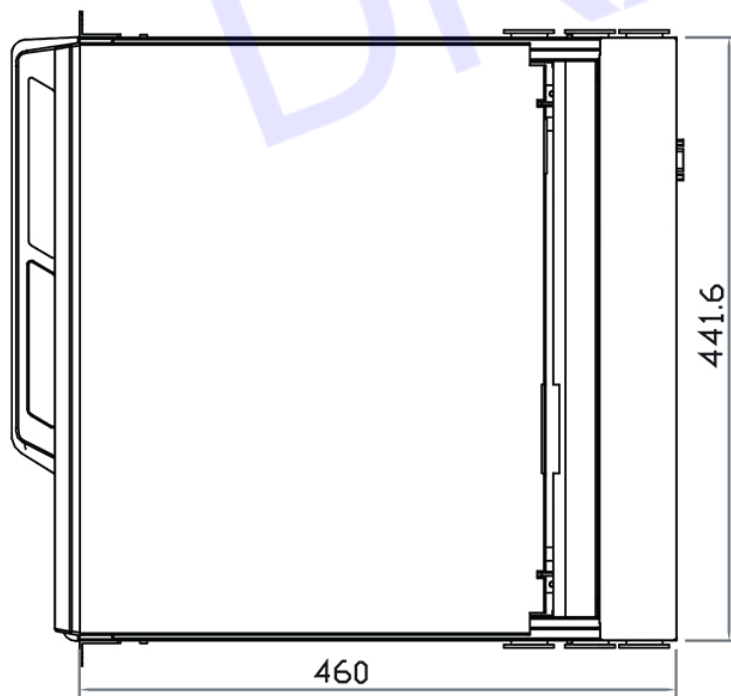
Rear View



Side View



Top View



UNIT : mm
1mm = 0.03937 inch

Drawing No.: NVP117e-AU-02222024-V1