

1U Rackmount 17" TFT LCD Monitor 1280x1024 Resolution w/ Notebook keyboard & Touch-pad Mouse Drawer. HDMI + Speaker + VGA (17.25"W x 18.1"D x 1.75"H) include CV-6H, HDMI/2xUSB KVM Cable, 6 ft long

MODEL: NVP117He



BENEFITS:

- 1U 17-inch LCD console drawer
- Native resolution of 1280 x 1024 with support for 16.7 million colors
- Includes a 104-key keyboard with touchpad
- Features a compact design with depths of 460mm and 500mm
- Designed for easy installation by one person
- Enhanced aesthetics with a molded front handle
- Comes with a standard 2-year warranty, extendable up to 5 years

OPTIONS:

- HDMI 1.4 + DVI-D + Audio in & out + Speakers (AV4.4)
- HDMI 1.4 + Speakers (HDMI)
- S-Video + Composite + Speakers (BNC)
- 3G / HD / SD-SDI Broadcast-grade input + Speakers (SDI)
- Front USB hub port for device access (USB)
- 2-post rack mounting brackets (ORB-2.1)
- DC power : 12V / 24V / 48V / 125V / 250V
- SUN Micro keyboard option
- 17" Touchscreen : Projected Capacitive 10-pt / Resistive 1-pt

SPECIFICATIONS

Console Port	
Video input	HDMI + VGA
KB / MS	USB interface
VGA console 6ft cable : NB-6A	Drawer end : DB-15 + USB type A x 2 Server end : DB-15 + USB type A x 2

LCD Panel	
Panel size (diagonal)	17"
Native resolution	1280 x 1024
Brightness (cd/m ²)	250
Contrast ratio (typ.)	1000 : 1
Colors	16.7 M
Viewing angle (L/R/U/D)	85/85/80/80
Response time (ms)	5
Dot pitch (mm)	0.264
Display area (mm)	337.92H x 270.33V
Surface treatment	Haze 25%, Hard-coating
Surface hardness	3H
Backlight type	LED
MTBF (hrs)	30,000

Physical		
Product (WxDxH)	Single console	442 x 460 x 44 mm 17.4 x 18.1 x 1.73 inch
	Console w/ KVM	442 x 580 x 44mm 17.4 x 22.8 x 1.73 inch
Packing (WxDxH)	Single console / Console w/ KVM	590 x 815 x 140 mm 23.2 x 32.1 x 5.5 inch
	Net weight	Single console
Console w/ KVM		13 kg / 28.6 lb
Gross weight	Single console	16.6 kg / 36.5 lb
	Console w/ KVM	19 kg / 41.8 lb

Mounting Distance	
Single console drawer	470 ~ 700 mm
Console w/ KVM drawer	18.5 ~ 27.6 inch
Console w/ KVM drawer	470 ~ 800 mm
	18.5 ~ 31.5 inch

Video Option		
Digital	DVI	DVI-D single link
	HDMI	HDMI 1.4 / HDCP 1.4
Analog	S-Video (4-pin)	NTSC & PAL
	Composite (BNC)	NTSC & PAL

HDMI

NVP117 chassis extension in depth to 480mm (18.9")

S-Video & Composite

NVP117 chassis extension in depth to 530mm (20.9")

Audio Option		
Input	Connector	3.5mm stereo jack
	Impedance / Power level	30kΩ / 750mV
Output	Connector	3.5mm stereo jack
	Resistance / Power level	30kΩ / 2.8V
Speaker	Dual stereo	2W x 2

Power		
Input	Auto-sensing 100 to 240VAC, 50 / 60Hz	
Consumption (console / KVM)	Screen on	Max. 22W / Max. 55W
	Power saving mode	Max. 2W / Max. 34W
	Power button off	Max. 1W / Nil

Environment	
Operating temp.	-20 to 65°C degree
Storage temp.	-20 to 65°C degree
Operating humidity	10~90%, non-condensing
Storage humidity	5 ~90%, non-condensing
Operating altitude	16,000 ft
Non-operating altitude	40,000 ft
Shock	10G acceleration (11ms duration)
Vibration	10~300Hz 0.5G RMS random vibration

Compliance	
EMC	FCC, CE certified
Safety	CE / LVD, UKCA & CCC
Environment	RoHS3 & REACH / WEEE

MODELS with KVM

2K KVM	IP	Remote	8-port	
	0	0	NVP117-D8	

2K KVM Cable



NK6D (6 ft)
DVI-D KVM cable



NK6H (6 ft)
HDMI KVM cable

Resolution Support **: 16:9 - max. 2560 x 1440
16:10 - max. 1920 x 1200
4:3 - max. 1600 x 1200

DVI-D KVM	IP	Remote	12-port	
	0	0	NVP117-D12	

DVI-D USB KVM Cable

Resolution Support **: 16:10 - max. 1920 x 1200
16:9 - max. 1920 x 1080
4:3 - max. 1600 x 1200



NI - 6 (6 ft)
NI - 15 (15 ft)

Matrix CAT6 KVM	IP	Remote	8-port	16-port	32-port
	1	1	-	NVP117-MC1116	NVP117-MC1132
	2	1	-	NVP117-MC2116	NVP117-MC3224
	0	1	-	NVP117-MC0116	NVP117-MC0132
	0	2	-	NVP117-MC0216	NVP117-MC0232
	0	3	-	NVP117-MC0316	NVP117-MC0332

CAT6 KVM Dongle



USB-C dongle



IF-DUSBP
DP - USB dongle



IF-DUSBH
HDMI - USB dongle



IF-DUSBD
DVI - USB dongle



IF-DUSB
VGA - USB dongle

Resolution Support **: 16:10 - max. 1920 x 1200
16:9 - max. 1920 x 1080
4:3 - max. 1600 x 1200

CAT6 Combo KVM	IP	Remote	8-port	16-port	32-port
	1	0	NVP117-CIP8	NVP117-CIP16	NVP117-CIP32
	0	1	NVP117-CCE8	NVP117-CCE16	NVP117-CCE32
	0	0	NVP117-C8	NVP117-C16	NVP117-C32

Matrix DB-15 KVM	IP	Remote	8-port	16-port
	1	1	NVP117-M118	NVP117-M1116
	2	1	NVP117-M218	NVP117-M2116
	0	1	NVP117-M018	NVP117-M0116
	0	2	NVP117-M028	NVP117-M0216
	0	3	NVP117-M038	NVP117-M0316

DB-15 VGA USB KVM Cable



NB - 6 (6 ft)



NB - 10 (10 ft)





NB - 15 (15 ft)


Resolution Support **: 16:10 - max. 1920 x 1200
16:9 - max. 1920 x 1080
4:3 - max. 1600 x 1200

Combo DB-15 KVM	IP	Remote	8-port	16-port
	1	0	NVP117-IP8	NVP117-IP16
	0	1	NVP117-CE8	NVP117-CE8
	0	0	NVP117-S8	NVP117-S16

IP Console





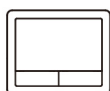
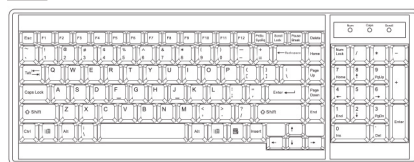


High Performance KVM Access Over IP

Connector : RJ45
 User management: 1 x active user, 15-user login
 Network protocol: DHCP / BOOTP / DNS
 Security : TLS 1.3, AES, LDAP, Active Directory (AD), HTTP(s)
 Browser : Chrome, Firefox, Edge, etc.
 Resolution : 16:9 - max. 1920x1080 / 16:10 - max. 1920x1200 / 4:3 - max. 1600x1200

STANDARD KEYBOARD

Ge G keyboard with touchpad



Gb G keyboard with trackball



Supporting layouts

America 
U.S.

EMEA      
U.K. Germany France Russia Spain Italy

Asia  
Japan Korea

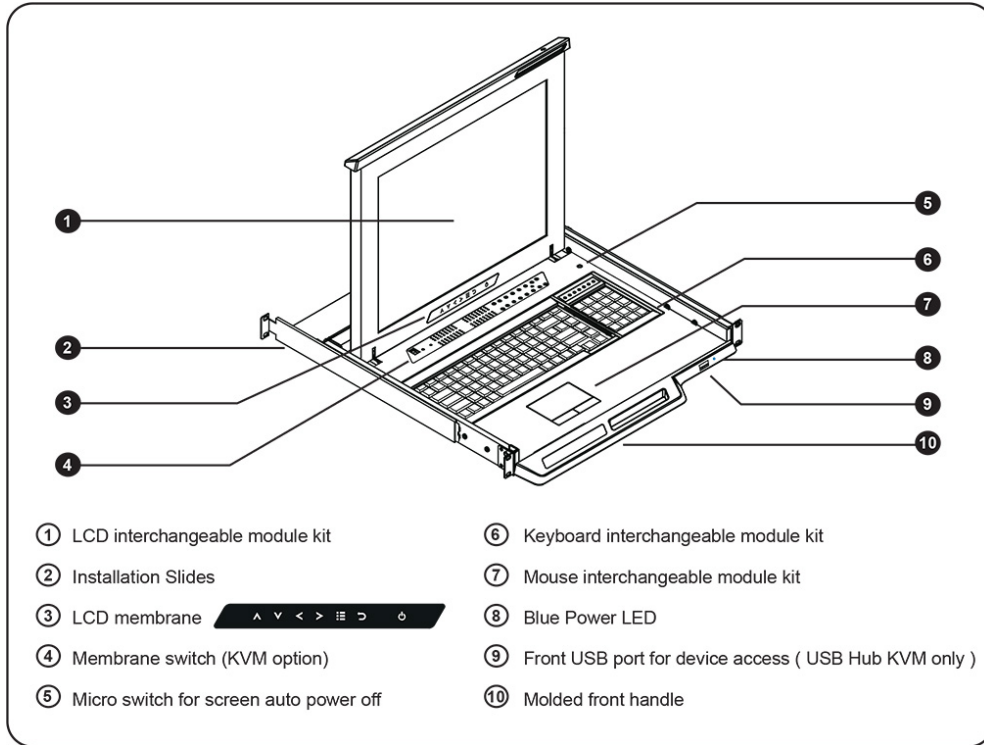
KEYBOARD OPTIONS *US Layout only

Se S keyboard with touchpad

Sb S keyboard with trackball



STRUCTURE DIAGRAM

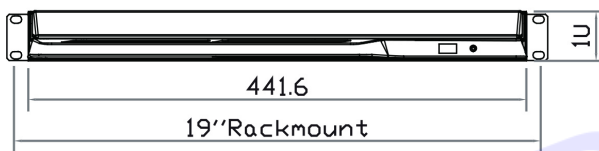


**Include: (Model: CV-6H)
HDMI/2xUSB KVM Cable, 6 ft long**

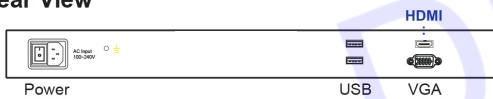
DIMENSION

This is subject to change without Notice. Final Drawings Will be Provided for Approval after Order.

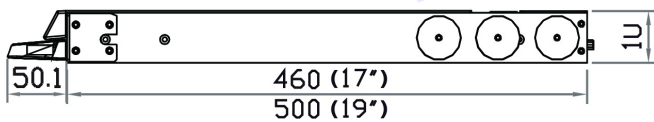
Front View



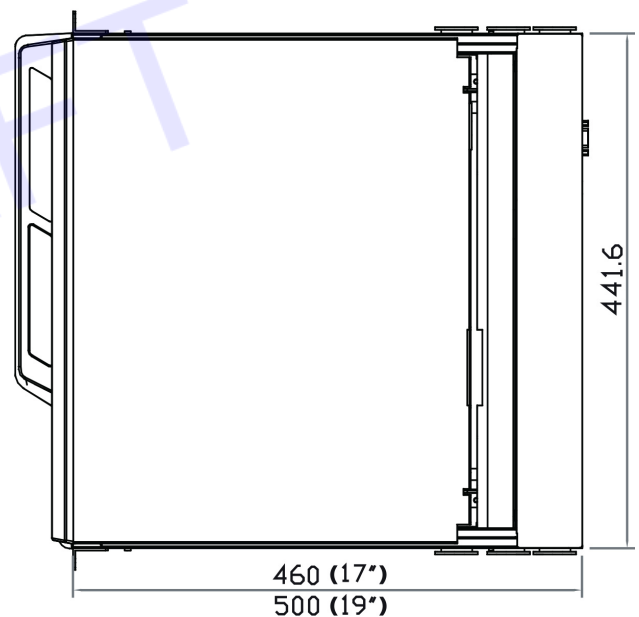
Rear View



Side View



Top View



Drawing No.: NVP117He-02142024-V1