

1U Wide 16.2" TFT LCD Rackmount Monitor Flat Panel
 1U Rackmount 17" Wide 1920 x 1200 WUXGA, VGA,
 DVI-D & HDMI, 24V DC Power input. Total Chassis Depth 21"

MODEL: NPXW117-24V



BENEFITS:

- 1U 16.2" LCD display drawer
- 1920 x 1200 WUXGA native resolution / 16.7M colors (8-bit)
- DVI-D + VGA video input
- Short depth design of 480mm
- Built-in dual stereo speakers
- One Man installation design
- Enhanced aesthetics with molded front panel and two point lock
- 2-year standard warranty (upgradable up to 5 years)

OPTIONS:

- 3G / HD / SD-SDI Broadcast-grade input (SDI)
- DC power : 12V / 24V / 48V / 125V / 250V
- Touchscreen : Resistive 1-pt

SPECIFICATIONS

Video	
Video input	HDMI 1.4 + DVI-D + VGA video input

LCD Panel	
Panel size (diagonal)	16.2"
Native resolution	1920 x 1200
Brightness (cd/m ²)	300
Contrast ratio (typ.)	800 : 1
Colors	16.7 M, 8-bit
Viewing angle (L/R/U/D)	89/89/89/89
Response time (ms)	30
Dot pitch (mm)	0.191
Display area (mm)	343.8H x 214.9V
Surface treatment	Anti-glare, Hard-coating
Surface hardness	3H
Backlight type	LED
MTBF (hrs)	20,000

Physical		
Dimensions (W x D x H)	Product	442 x 460 x 44 mm 17.4 x 18.1 x 1.73 inch
	Packing	588 x 758 x 120 mm 23.1 x 29.8 x 4.7 inch
Weight	Net	11 kg / 24.2 lb
	Gross	15 kg / 33 lb

Mounting Distance	
Display Drawer	490 ~ 720 mm 19.3 ~ 28.3 inch

**Specifications subject to change without notice, not responsible for typographical errors.*

Audio		
Output	Connector	3.5mm stereo jack
	Resistance / Power level	30kΩ / 2.8V
Speaker	Dual stereo	2W x 2

Power		
Input	24V DC Power input	
Consumption	Screen on	Max. 34W
	Power saving mode	Max. 4W
	Power button off	Max. 1W

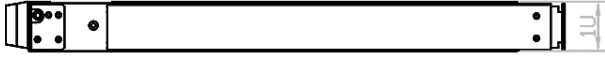
Environment	
Operating temp.	0 to 55°C degree
Storage temp.	-20 to 60°C degree
Operating humidity	10~90%, non-condensing
Storage humidity	5 ~90%, non-condensing
Operating altitude	16,000 ft
Non-operating altitude	40,000 ft
Shock	10G acceleration (11ms duration)
Vibration	10~300Hz 0.5G RMS random vibration

Compliance	
EMC	FCC, CE
Safety	CE / LVD & UKCA
Environment	REACH & RoHS3 / WEEE

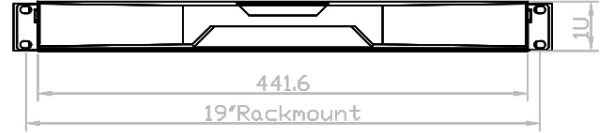
DIMENSION

This is subject to change without Notice. Final Drawings Will be Provided for Approval after Order.

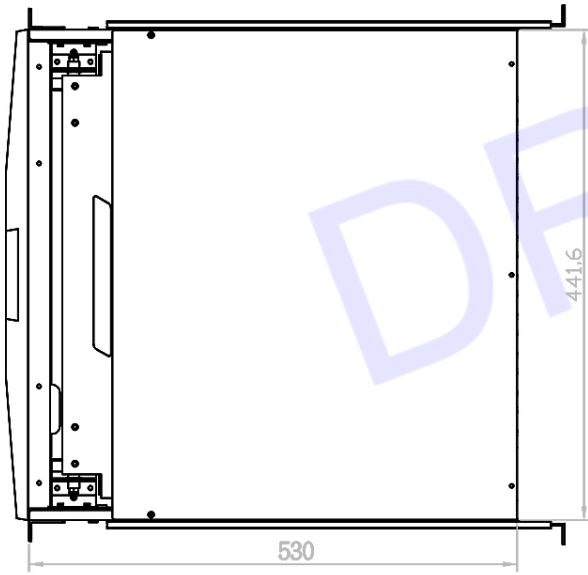
Left-side View



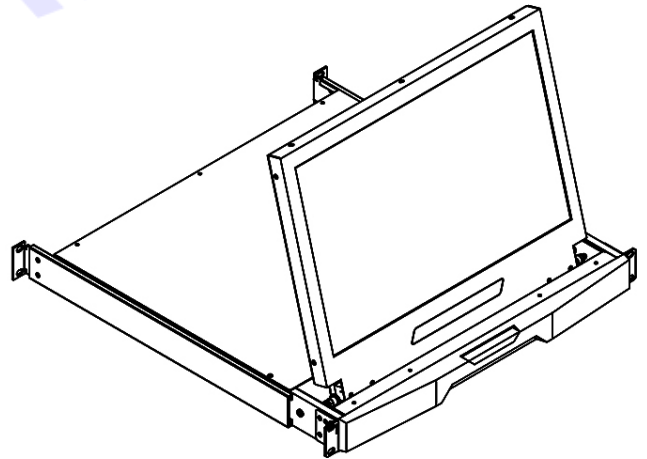
Front View



Rear View



Top View



Drawing No.: NPXW117-24V-09012022-V1