

9U Rackmount 24" widescreen LCD display 1920x1200, LED PIP & Picture by Picture viewing efficiency DVI-D, VGA, HDMI 1.3 video input, Built-in dual stereo speakers

**Model: NPW92400**



## BENEFITS:

- 9U 24" LCD display panel
- 1920 x 1200 WUXGA native resolution / 16.7M colors
- HDMI 1.4 + DVI-D + VGA video input
- PIP Sub-screen & PBP Dual-screen viewing efficiency
- 2-year standard warranty ( upgradable up to 5 years )

## SPECIFICATIONS

| Video       |                                    |
|-------------|------------------------------------|
| Video input | HDMI 1.4 + DVI-D single link + VGA |

| LCD Panel                        |                          |
|----------------------------------|--------------------------|
| Panel size ( diagonal )          | 24.1"                    |
| Native resolution                | 1920 x 1200              |
| Brightness ( cd/m <sup>2</sup> ) | 300                      |
| Contrast ratio ( typ. )          | 1000 : 1                 |
| Colors                           | 16.7 M                   |
| Viewing angle ( L/R/U/D )        | 89/89/89/89              |
| Response time ( ms )             | 14                       |
| Dot pitch ( mm )                 | 0.27                     |
| Display area ( mm )              | 518.4H x 324V            |
| Surface treatment                | Anti-glare, Hard-coating |
| Surface hardness                 | 3H                       |
| Backlight type                   | LED                      |
| MTBF (hrs)                       | 30,000                   |

| Physical                 |         |  |
|--------------------------|---------|--|
| Dimensions ( W x D x H ) | Product | 553 x 70 x 385 mm<br>21.8 x 2.8 x 15.2 inch  |
|                          | Packing | 530 x 645 x 155 mm<br>20.9 x 25.4 x 6.1 inch |
| Weight                   | Net     | 11.4 kg / 25.1 lb                            |
|                          | Gross   | 12.7 kg / 28 lb                              |

| Power       |                                       |          |
|-------------|---------------------------------------|----------|
| Input       | Auto-sensing 100 to 240VAC, 50 / 60Hz |          |
| Consumption | Screen on                             | Max. 33W |
|             | Power saving mode                     | Max. 2W  |
|             | Power button off                      | Max. 1W  |

## OPTIONS:

- Composite + Audio input & output ( BNC-DVI )  
\*No HDMI after integration of BNC-DVI
- Composite + Audio input & output ( BNC-HDMI )  
\*No DVI-D after integration of BNC-HDMI
- 3G / HD / SD-SDI Broadcast-grade input ( SDI )
- MCS Multi display OSD controller ( MCS )
- MIL-type or lockable connector
- DC power : 12V / 24V / 48V / 125V / 250V
- Touchscreen : Resistive 1-pt

| Mounting   |            |
|------------|------------|
| Rackmount  | 9U         |
| VESA mount | 100*100 mm |

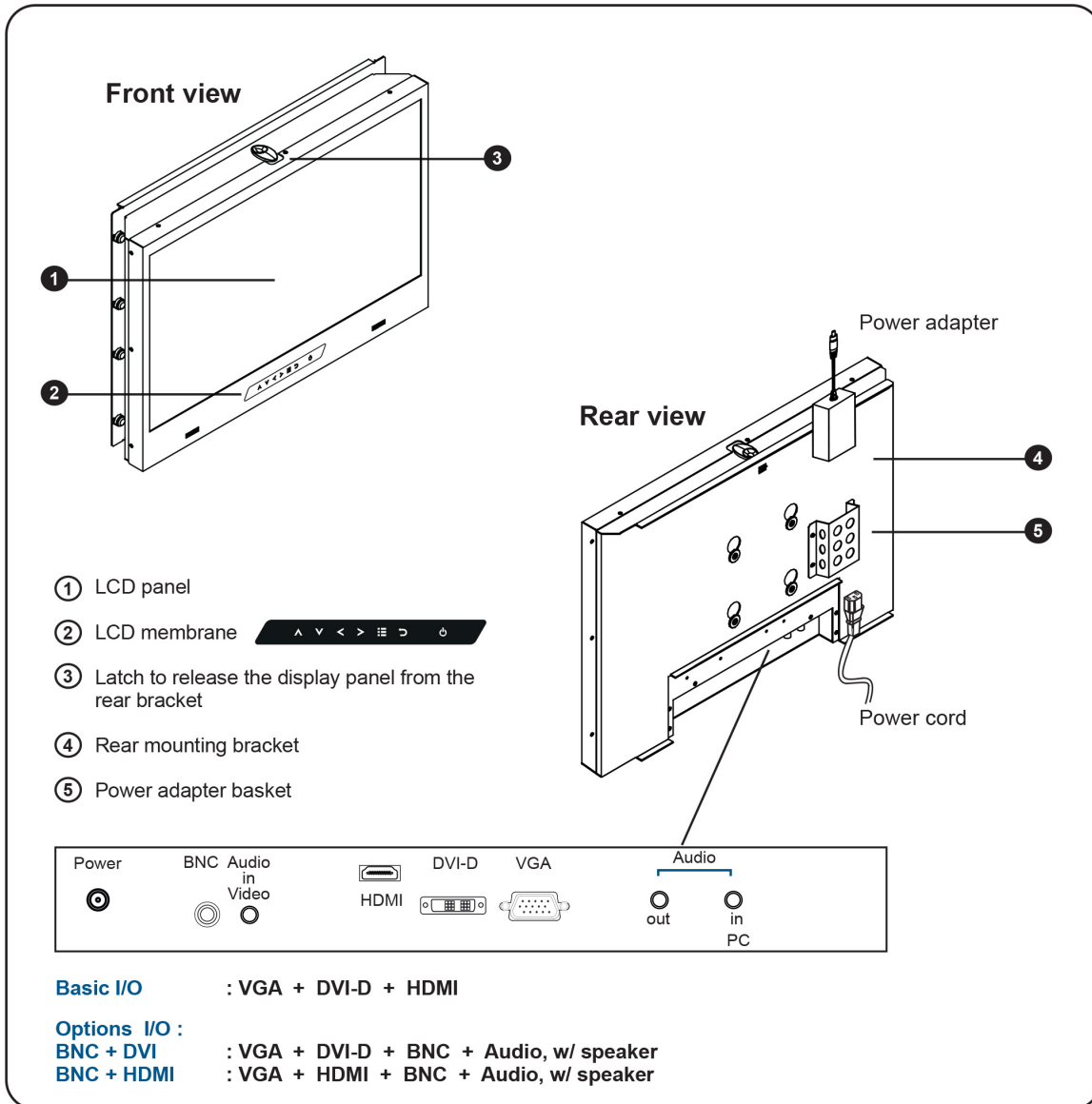
| Audio Option |                          |                   |
|--------------|--------------------------|-------------------|
| Input        | Connector                | 3.5mm stereo jack |
|              | Impedance / Power level  | 30kΩ / 750mV      |
| Output       | Connector                | 3.5mm stereo jack |
|              | Resistance / Power level | 30kΩ / 2.8V       |
| Speaker      | Dual stereo              | 2W x 2            |

| Environment            |                                    |
|------------------------|------------------------------------|
| Operating temp.        | 0 to 55°C degree                   |
| Storage temp.          | -20 to 60°C degree                 |
| Operating humidity     | 10~90%, non-condensing             |
| Storage humidity       | 5 ~90%, non-condensing             |
| Operating altitude     | 16,000 ft                          |
| Non-operating altitude | 40,000 ft                          |
| Shock                  | 10G acceleration ( 11ms duration ) |
| Vibration              | 10~300Hz 0.5G RMS random vibration |

| Compliance  |                      |
|-------------|----------------------|
| EMC         | FCC, CE              |
| Safety      | CE / LVD & UKCA      |
| Environment | REACH & RoHS3 / WEEE |

*\*Specifications subject to change without notice, not responsible for typographical errors.*

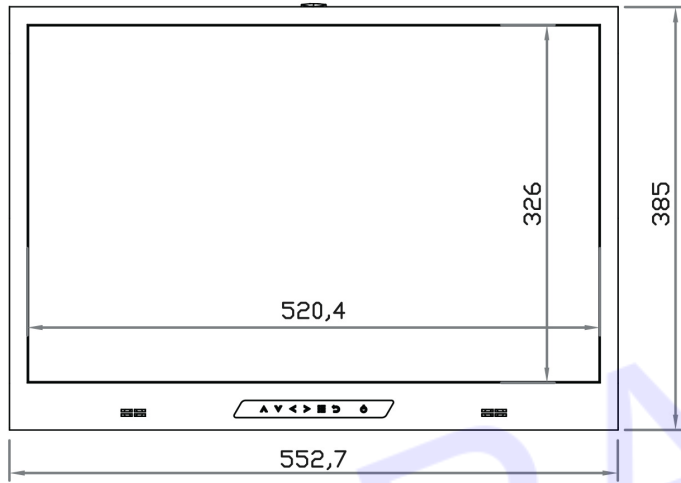
## STRUCTURE DIAGRAM



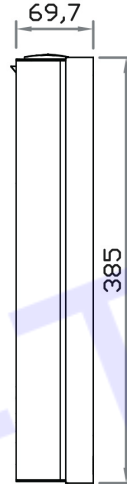
## DIMENSION

*This is subject to change without Notice. Final Drawings Will be Provided for Approval after Order.*

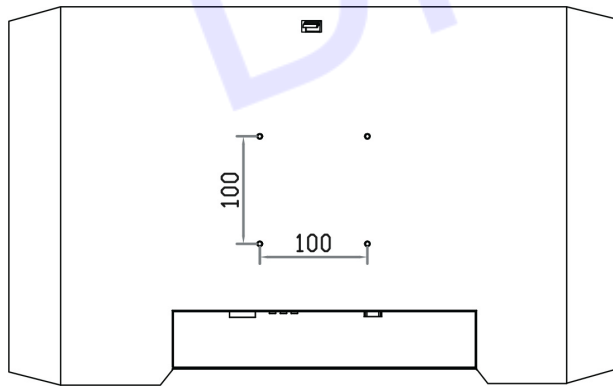
### Front View



### Side View

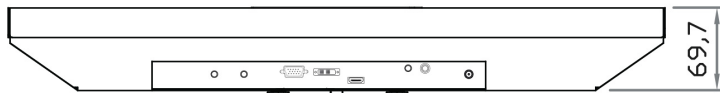


### Rear View



UNIT : mm  
1mm = 0.03937 inch

### Bottom View



Drawing No.: NPW92400-08182022-V1