

8U Rackmount 21.5" widescreen LCD display 1920 x 1080, LED Backlight PIP, VGA + DVI-D, 125VDC Input(Built-in) with Terminal Block +e-Resistive + USB controller

**Model: NPW8215-TR-125VDC**



### BENEFITS:

- 8U 21" LCD display panel
- 1920 x 1080 native resolution / 16.7M colors
- VGA + HDMI + DP Video input
- 5 wired e-Resistive + USB controller
- 2-year standard warranty ( upgradable up to 5 years )

### OPTIONS:

- HDMI 1.4 + Audio input & output ( AV4.4 )
- DP 1.0 + HDMI 2.0 + HDMI 1.4 + Audio output \* ( DP )
- Composite + Audio input & output ( BNC )
- 3G / HD / SD-SDI Broadcast-grade input ( SDI )
- Multi display OSD controller ( MCS )
- MIL-type or lockable connector
- DC power : 12V / 24V / 48V / 125V / 250V

### SPECIFICATIONS

Video	
Video input	VGA + HDMI + DP

LCD Panel	
Panel size ( diagonal )	21.5"
Native resolution	1920 x 1080
Brightness ( cd/m <sup>2</sup> )	250
Contrast ratio ( typ. )	1000 : 1
Colors	16.7 M
Viewing angle ( L/R/U/D )	85/85/80/80
Response time ( ms )	5
Dot pitch ( mm )	0.248
Display area ( mm )	476.64H x 268.11V
Surface treatment	Haze 25%, Hard-coating
Surface hardness	3H
Backlight type	LED
MTBF (hrs)	30,000

Physical		
Dimensions ( W x D x H )	Product	502 x 64 x 353 mm 19.8 x 2.5 x 13.9 inch
	Packing	557 x 585 x 136 mm 21.9 x 23.0 x 5.4 inch
Weight	Net	8.8 kg / 19.4 lb
	Gross	11.2 kg / 24.6 lb

Power		
Input	125VDC Input(Built-in) with Terminal Block	
Consumption	Screen on	Max. 28W
	Power saving mode	Max. 2W
	Power button off	Max. 1W

Mounting	
Rackmount	8U
VESA mount	100*100 mm

Video Option		
Digital	HDMI	HDMI 2.0 / HDCP 2.2 HDMI 1.4 / HDCP 1.4
	Display port	DP 1.0 / HDCP 1.3
Analog	Composite ( BNC )	NTSC & PAL

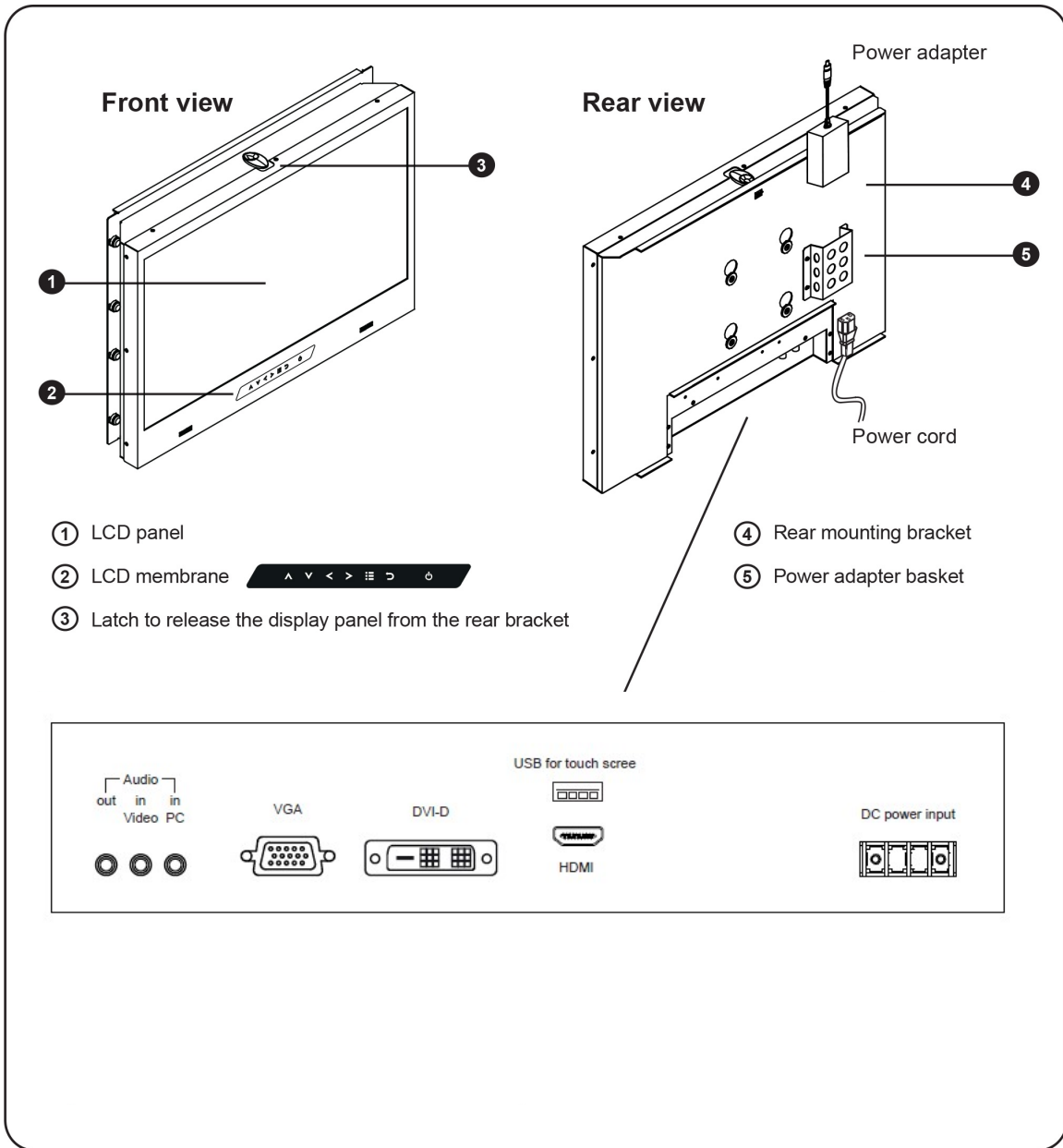
Audio Option		
Input	Connector	3.5mm stereo jack
	Impedance / Power level	30kQ / 750mV
Output	Connector	3.5mm stereo jack
	Resistance / Power level	30kQ / 2.8V
Speaker	Dual stereo	2W x 2

Environment	
Operating temp.	0 to 55°C degree
Storage temp.	-20 to 60°C degree
Operating humidity	10~90%, non-condensing
Storage humidity	5 ~90%, non-condensing
Operating altitude	16,000 ft
Non-operating altitude	40,000 ft
Shock	10G acceleration ( 11ms duration )
Vibration	10~300Hz 0.5G RMS random vibration

Compliance	
EMC	FCC, CE
Safety	CE / LVD & UKCA
Environment	REACH & RoHS3 / WEEE

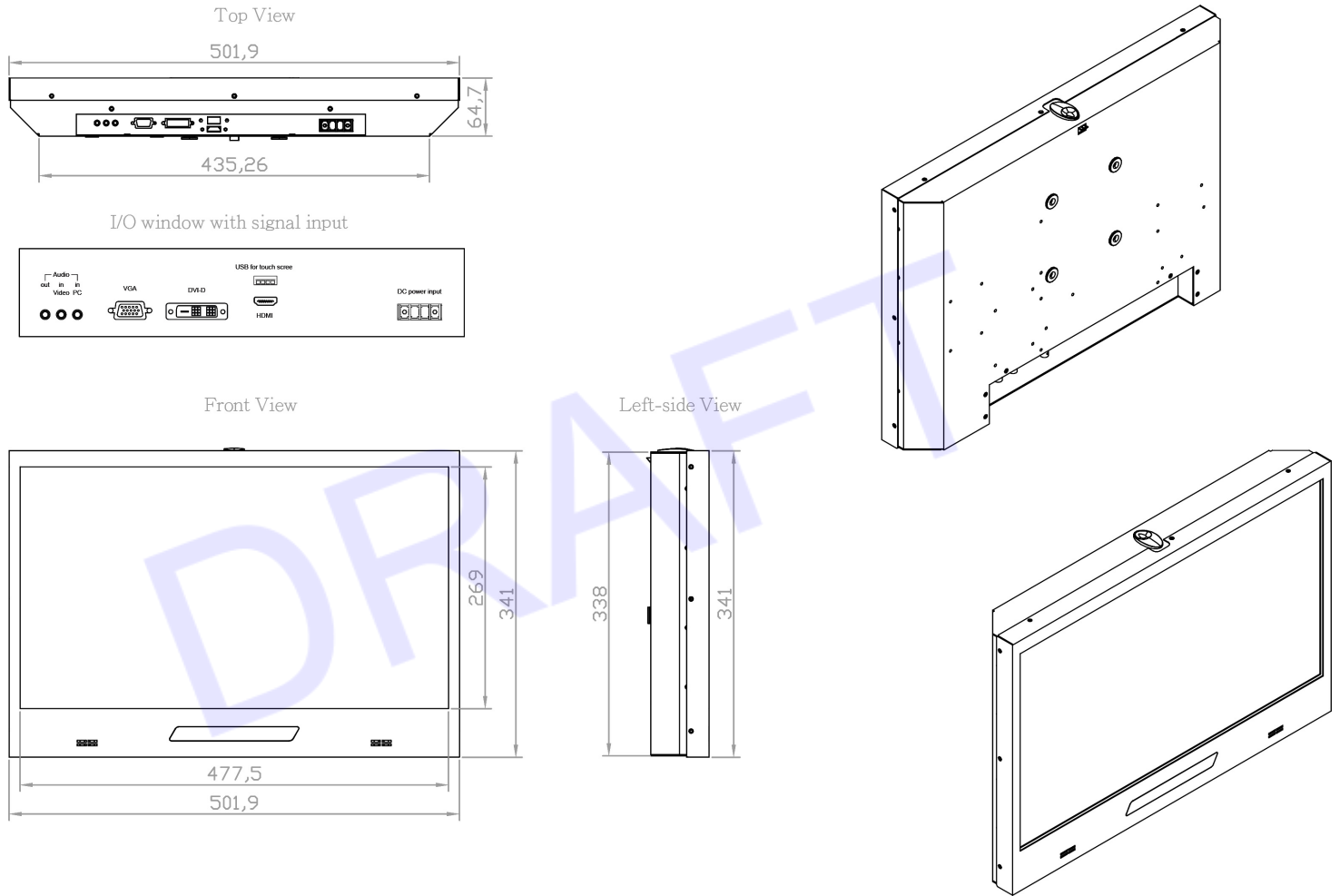
\*Specifications subject to change without notice, not responsible for typographical errors.

# STRUCTURE DIAGRAM



## DIMENSION

*This is subject to change without Notice. Final Drawings Will be Provided for Approval after Order.*



Drawing No.: NPW8215-TR-125VDC-09092022-V1