

8U Rackmount 21.5" widescreen LCD Display 1920x1080, LED Backlight VGA + DVI-D + HDMI + Audio + Projected Capacitive Touch Screen (1pt) w/ Serial interface

Model: NPW8215-TCS



BENEFITS:

- 8U 21" LCD display panel
- 1920 x 1080 native resolution / 16.7M colors
- VGA + DVI-D + HDMI video input
- 2-year standard warranty (upgradable up to 5 years)

OPTIONS:

- HDMI 1.4 + Audio input & output (AV4.4)
- DP 1.0 + HDMI 2.0 + HDMI 1.4 + Audio output * (DP)
- Composite + Audio input & output (BNC)
- 3G / HD / SD-SDI Broadcast-grade input (SDI)
- Multi display OSD controller (MCS)
- MIL-type or lockable connector
- DC power : 12V / 24V / 48V / 125V / 250V
- Touchscreen :
- Projected Capacitive 10-pt / Capacitive 1-pt / Resistive 1-pt
No DVI-D after integration of DP 1.0 video input

SPECIFICATIONS

Video	
Video input	VGA + DVI-D + HDMI

LCD Panel	
Panel size (diagonal)	21.5"
Native resolution	1920 x 1080
Brightness (cd/m ²)	250
Contrast ratio (typ.)	1000 : 1
Colors	16.7 M
Viewing angle (L/R/U/D)	85/85/80/80
Response time (ms)	5
Dot pitch (mm)	0.248
Display area (mm)	476.64H x 268.11V
Surface treatment	Haze 25%, Hard-coating
Surface hardness	3H
Backlight type	LED
MTBF (hrs)	30,000

Physical		
Dimensions (W x D x H)	Product	502 x 64 x 353 mm 19.8 x 2.5 x 13.9 inch
	Packing	557 x 585 x 136 mm 21.9 x 23.0 x 5.4 inch
Weight	Net	8.8 kg / 19.4 lb
	Gross	11.2 kg / 24.6 lb

Power		
Input	Auto-sensing 100 to 240VAC, 50 / 60Hz	
Consumption	Screen on	Max. 28W
	Power saving mode	Max. 2W
	Power button off	Max. 1W

Mounting	
Rackmount	8U
VESA mount	100*100 mm

Video Option		
Digital	HDMI	HDMI 2.0 / HDCP 2.2 HDMI 1.4 / HDCP 1.4
	Display port	DP 1.0 / HDCP 1.3
Analog	Composite (BNC)	NTSC & PAL

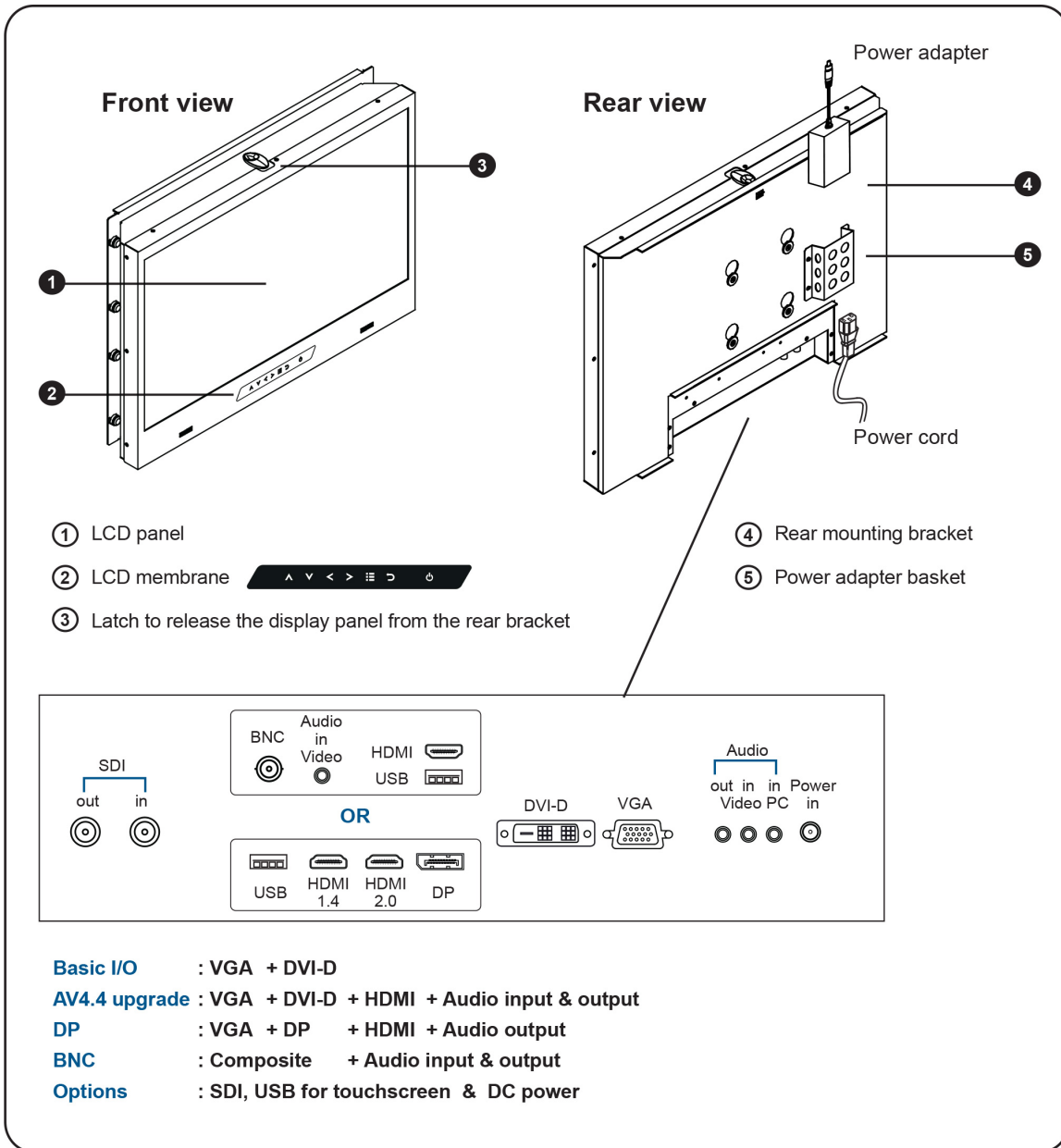
Audio Option		
Input	Connector	3.5mm stereo jack
	Impedance / Power level	30kQ / 750mV
Output	Connector	3.5mm stereo jack
	Resistance / Power level	30kQ / 2.8V
Speaker	Dual stereo	2W x 2

Environment	
Operating temp.	0 to 55°C degree
Storage temp.	-20 to 60°C degree
Operating humidity	10~90%, non-condensing
Storage humidity	5 ~90%, non-condensing
Operating altitude	16,000 ft
Non-operating altitude	40,000 ft
Shock	10G acceleration (11ms duration)
Vibration	10~300Hz 0.5G RMS random vibration

Compliance	
EMC	FCC, CE
Safety	CE / LVD & UKCA
Environment	REACH & RoHS3 / WEEE

*Specifications subject to change without notice, not responsible for typographical errors.

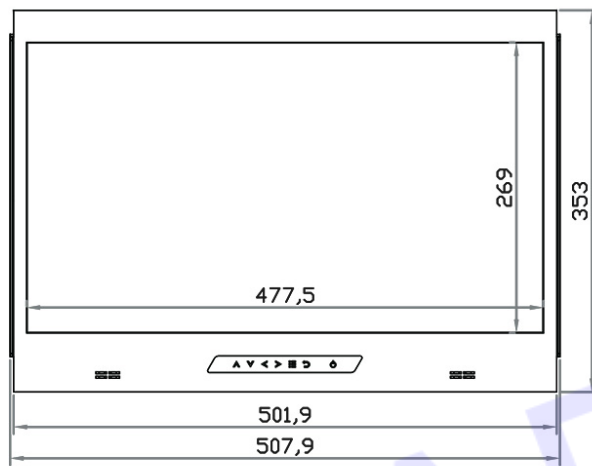
STRUCTURE DIAGRAM



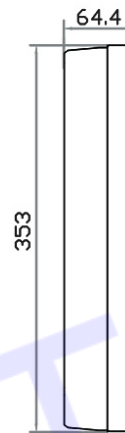
DIMENSION

This is subject to change without Notice. Final Drawings Will be Provided for Approval after Order.

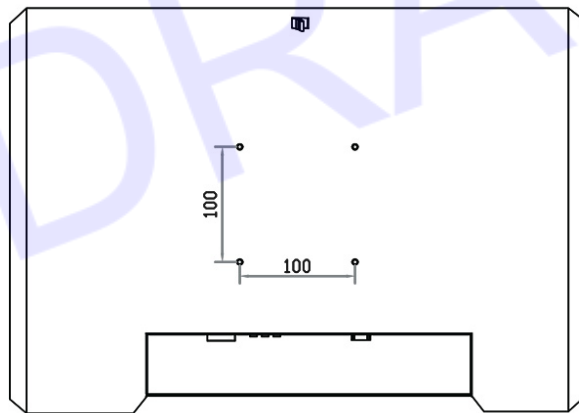
Front View



Side View

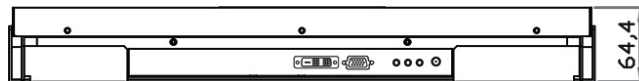


Rear View



UNIT : mm
1mm = 0.03937 inch

Bottom View



Drawing No.: NPW8215-TCS-02012023-V1