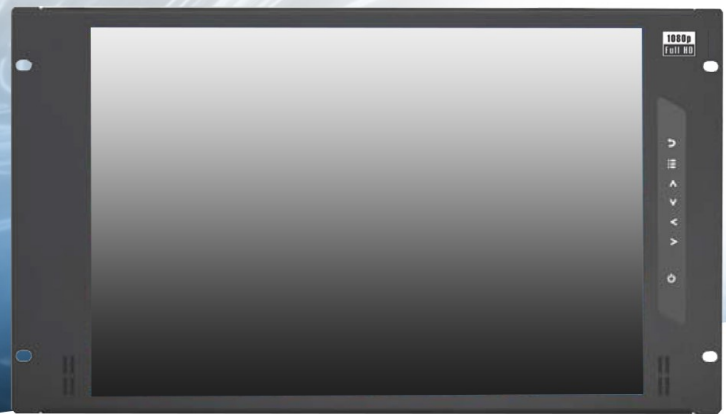


6U Wide 17" TFT SAMSUNG LCD Rackmount Monitor Flat Panel 1920 x 1080 with VGA + DVI-D + 24V DC power (Built-in). Terminal Block "+" and "-".

Model: NPW617HD-24



FEATURES:

- 6U 17" LCD display panel
- 1920 x 1080 native resolution / 16.7M colors (8-bit)
- DVI-D + VGA video input
- 2-year standard warranty (upgradable up to 5 years)

SPECIFICATIONS:

Video	
Video input	VGA + DVI-D single link

Video Option		
Digital	HDMI	HDMI 2.0 / HDCP 2.2 HDMI 1.4 / HDCP 1.4
Analog	Display port	DP 1.0 / HDCP 1.3
	Composite (BNC)	NTSC & PAL

LCD Panel	
Panel size (diagonal)	17.3"
Native resolution	1920 x 1080
Brightness (cd/m ²)	300
Contrast ratio (typ.)	1000 : 1
Colors	16.7 M, 8-bit
Viewing angle (L/R/U/D)	89/89/89/89
Response time (ms)	25
Dof pitch (mm)	0.1989
Display area (mm)	381.888H x 214.812V
MTBF (hrs)	15,000
Surface treatment	Anti-glare, Hard-coating
Surface hardness	3H
Backlight type	LED

Audio Option		
Input	Connector	3.5mm stereo jack
	Impedance / Power level	30kQ / 750mV
Output	Connector	3.5mm stereo jack
	Resistance / Power level	30kQ/ 2.8V
Speaker	Dual stereo	2W x 2

OPTIONS

- HDMI 1.4 + Audio input & output (AV4.4)
 - DP 1.0 + HDMI 2.0 + HDMI 1.4 + Audio output * (DP)
 - Composite + Audio input & output (BNC)
 - 3G / HD / SD-SDI Broadcast-grade input (SDI)
 - Multi display OSD controller (MCS)
 - MIL-type or lockable connector
 - DC power : 12V / 24V / 48V / 125V / 250V
 - Touchscreen : Projected Capacitive 10-pt / Resistive 1-pt
- *No DVI-D after integration of DP 1.0 video input*

Power		
Input	24V DC power (Built-in). Terminal Block "+" and "-"	
Consumption	Screen on	Max. 14W
	Power saving mode	Max. 2W
	Power button off	Max. 1W

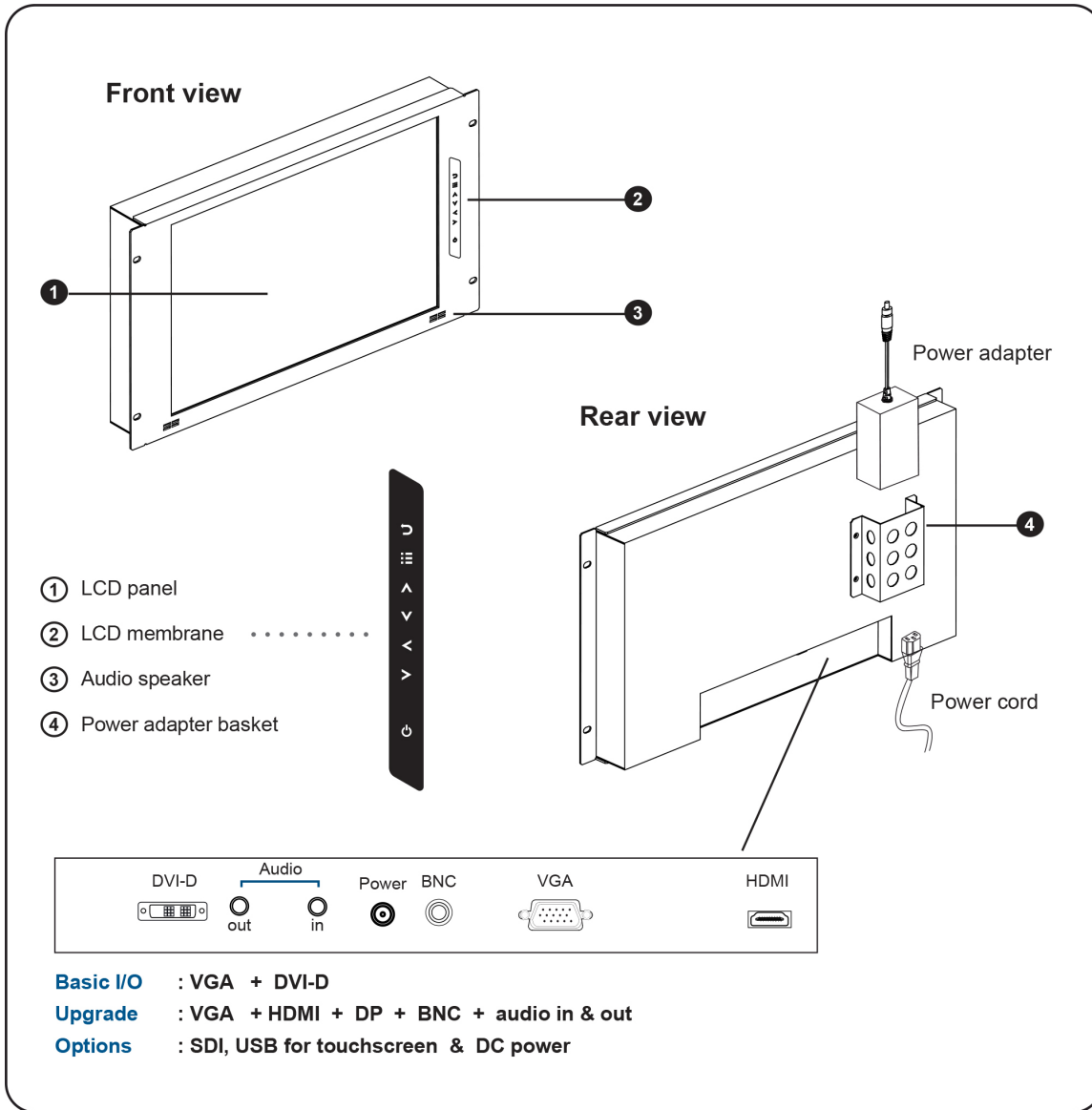
Environment	
Operating temp.	0 to 55°C degree
Storage temp.	-20 to 60°C degree
Operating humidity	10~90%, non-condensing
Storage humidity	5 ~90%, non-condensing
Operating altitude	16,000 ft
Non-operating altitude	40,000 ft
Shock	10G acceleration (11ms duration)
Vibration	10~300Hz 0.5G RMS random vibration

Compliance	
EMC	FCC & CE
Safety	CE / LVD & UKCA
Environment	REACH & RoHS3 / WEEE

Physical		
Dimensions (W x D x H)	Product	480 x 48 x 266 mm 18.9 x 1.9 x 10.5 inch
	Packing	529 x 124 x 451 mm 20.8 x 4.9 x 17.8 inch
Weight	Net	4.5 kg / 9.8 lb
	Gross	6 kg / 13.2 lb

**Specifications subject to change without notice, not responsible for typographical errors.*

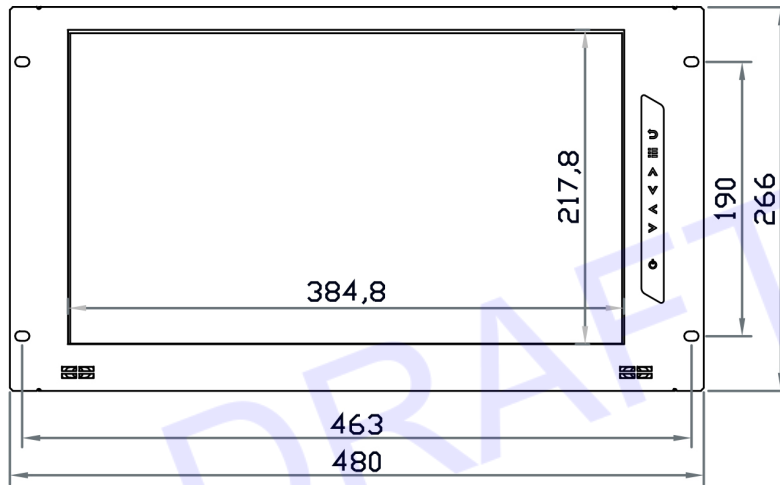
STRUCTURE DIAGRAM



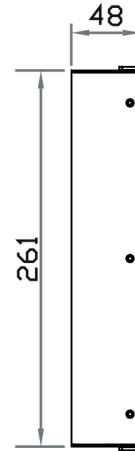
DIMENSION

This is subject to change without Notice. Final Drawings Will be Provided for Approval after Order.

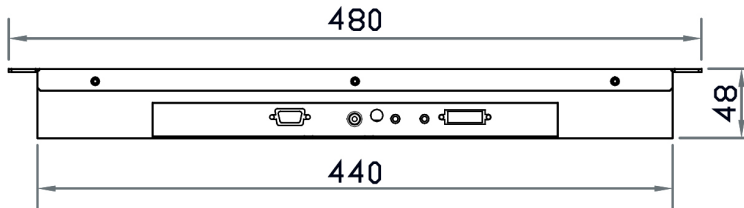
Front View



Side View



Bottom View



UNIT : mm
1mm = 0.03937 inch

Drawing No.: NPW617HD-24-07252022-V1