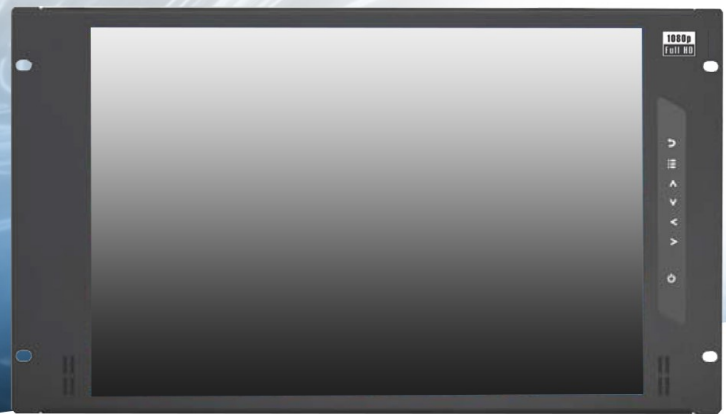


6U Wide 17" TFT SAMSUNG LCD
Rackmount Monitor Flat Panel 1920x1080
with VGA + DVI-D+125V DC power

Model: NPW617HD-125VDC



FEATURES:

- 6U 17" LCD display panel
- 1920 x 1080 native resolution / 16.7M colors (8-bit)
- 1000 cd/m² brightness
- DVI-D + VGA video input
- 2-year standard warranty (upgradable up to 5 years)

OPTIONS

- HDMI 1.3 + Audio input & output (AV3.0)
- 3G / HD / SD-SDI Broadcast-grade input (SDI)
- Multi display OSD controller (MCS)
- MIL-type or lockable connector
- DC power : 12V / 24V / 48V / 125V / 250V
- Touchscreen : Projected Capacitive 10-pt / Resistive 1-pt

SPECIFICATIONS:

Video	
Video input	VGA + DVI-D single link

Video Option		
Digital	HDMI	HDMI 1.3 / HDCP 1.1
Analog	Composite (BNC)	NTSC & PAL

LCD Panel	
Panel size (diagonal)	17.3"
Native resolution	1920 x 1080
Brightness (cd/m ²)	1000
Contrast ratio (typ.)	600 : 1
Colors	16.7 M, 8-bit
Viewing angle (L/R/U/D)	80/80/60/80
Response time (ms)	5.5
Dot pitch (mm)	0.1989
Display area (mm)	381.888H x 214.812V
MTBF (hrs)	50,000
Surface treatment	Anti-glare, Hard-coating
Surface hardness	3H
Backlight type	LED

Audio Option		
Input	Connector	3.5mm stereo jack
	Impedance / Power level	30kQ / 750mV
Output	Connector	3.5mm stereo jack
	Resistance / Power level	30kQ/ 2.8V
Speaker	Dual stereo	2W x 2

Power		
Input	Auto-sensing 100 to 240VAC, 50 / 60Hz	
Consumption	Screen on	Max. 39W
	Power saving mode	Max. 2W
	Power button off	Max. 1W

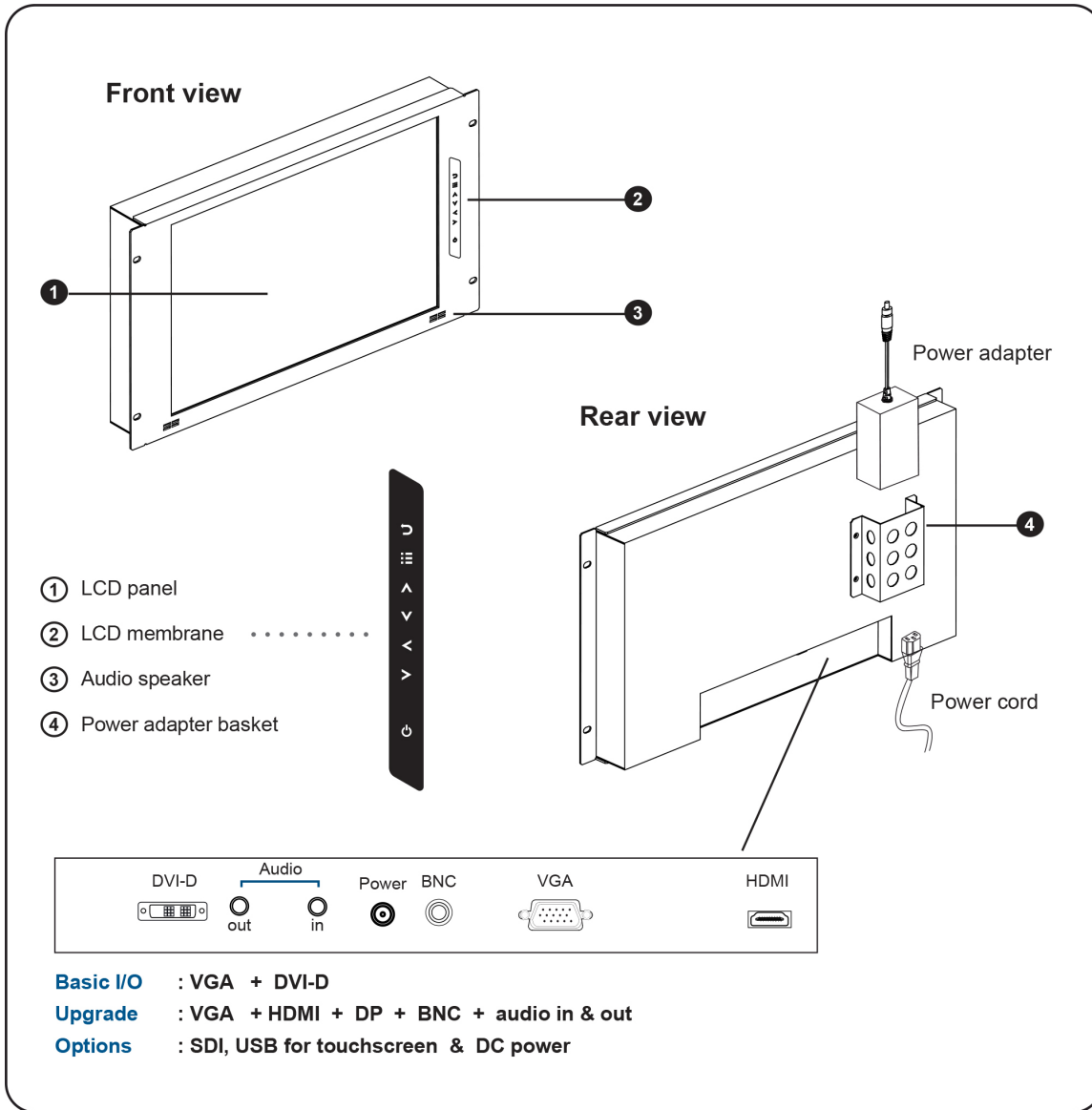
Environment	
Operating temp.	0 to 55°C degree
Storage temp.	-20 to 60°C degree
Operating humidity	10~90%, non-condensing
Storage humidity	5 ~90%, non-condensing
Operating altitude	16,000 ft
Non-operating altitude	40,000 ft
Shock	10G acceleration (11ms duration)
Vibration	10~300Hz 0.5G RMS random vibration

Compliance	
EMC	FCC & CE
Safety	CE / LVD & UKCA
Environment	REACH & RoHS3 / WEEE

Physical		
Dimensions (W x D x H)	Product	480 x 48 x 266 mm 18.9 x 1.9 x 10.5 inch
	Packing	529 x 124 x 451 mm 20.8 x 4.9 x 17.8 inch
Weight	Net	4.5 kg / 9.8 lb
	Gross	6 kg / 13.2 lb

*Specifications subject to change without notice, not responsible for typographical errors.

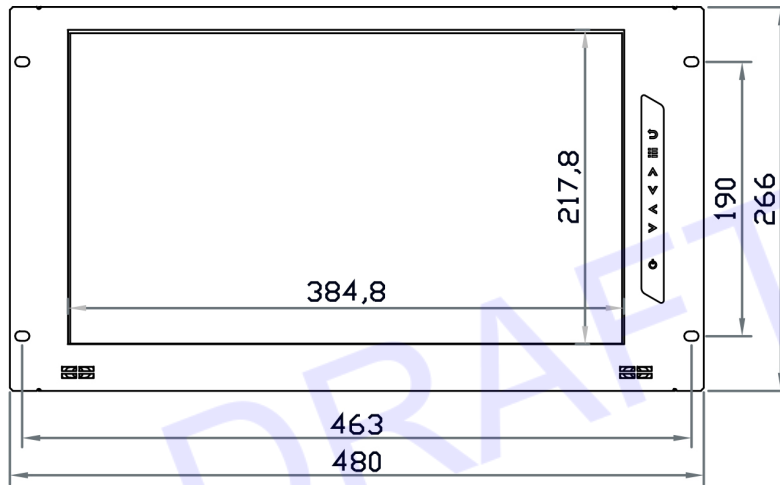
STRUCTURE DIAGRAM



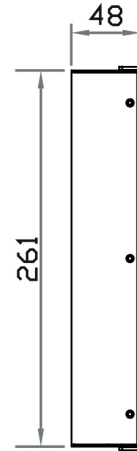
DIMENSION

This is subject to change without Notice. Final Drawings Will be Provided for Approval after Order.

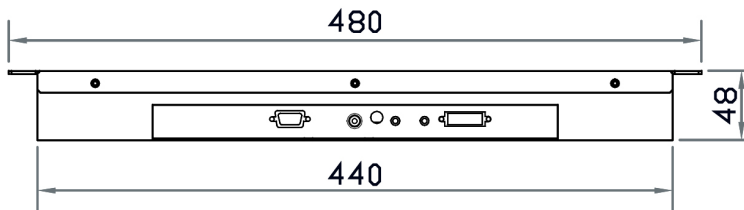
Front View



Side View



Bottom View



UNIT : mm
1mm = 0.03937 inch

Drawing No.: NPW617HD-125VDC-07262022-V1