

1U Rackmount 17" TFT LCD Monitor Drawer 1920x1080
1000nits High Brightness LCD, VGA+DVI-D+HDMI Video Input

-20 to 60C (-4F to 140F)
10G (11ms) for shock
10-300Hz 0.5G RMS for vibration

Model: NPW117HB-HDMI

FEATURES:

- 1U 17" LCD display drawer
- 1920 x 1080 native resolution / 16.7M colors (8-bit)
- 1000 cd/m² brightness
- DVI-D + VGA + HDMI video input
- Short depth design of 480mm
- One Man installation design
- Enhanced aesthetics with molded front panel and two point lock
- 2-year standard warranty (upgradable up to 5 years)

SPECIFICATIONS:

Video	
Video input	VGA + DVI-D + HDMI

Video Option		
Digital	HDMI	HDMI 1.3 / HDCP 1.1
Analog	Display port	DP 1.0 / HDCP 1.3
	Composite (BNC)	NTSC & PAL

LCD Panel	
Panel size (diagonal)	17.3"
Native resolution	1920 x 1080
Brightness (cd/m ²)	1000
Contrast ratio (typ.)	600 : 1
Colors	16.7 M, 8-bit
Viewing angle (L/R/U/D)	80/80/60/80
Response time (ms)	5.5
Dot pitch (mm)	0.1989
Display area (mm)	381.888H x 214.812V
MTBF (hrs)	50,000
Surface treatment	Anti-glare, Hard-coating
Surface hardness	3H
Backlight type	LED

Audio Option		
Input	Connector	3.5mm stereo jack
	Impedance / Power level	30kQ / 750mV
Output	Connector	3.5mm stereo jack
	Resistance / Power level	30kQ/ 2.8V
Speaker	Dual stereo	2W x 2

OPTIONS

- HDMI 1.3 + Audio input & output (AV3.0)
- 3G / HD / SD-SDI Broadcast-grade input (SDI)
- DC power : 12V / 24V / 48V / 125V
- Touchscreen : Projected Capacitive 10-pt / Resistive 1-pt

Power		
Input	Auto-sensing 100 to 240VAC, 50 / 60Hz	
Consumption	Screen on	Max. 39W
	Power saving	Max. 2W
	Power button off	Max. 1W

Environment	
Operating temp.	0 to 55°C degree
Storage temp.	-20 to 60°C degree
Operating humidity	20~90%, non-condensing
Storage humidity	5 ~90%, non-condensing
Operating altitude	16,000 ft
Non-operating altitude	40,000 ft
Shock	10G acceleration (11ms duration)
Vibration	10~300Hz 0.5G RMS random vibration

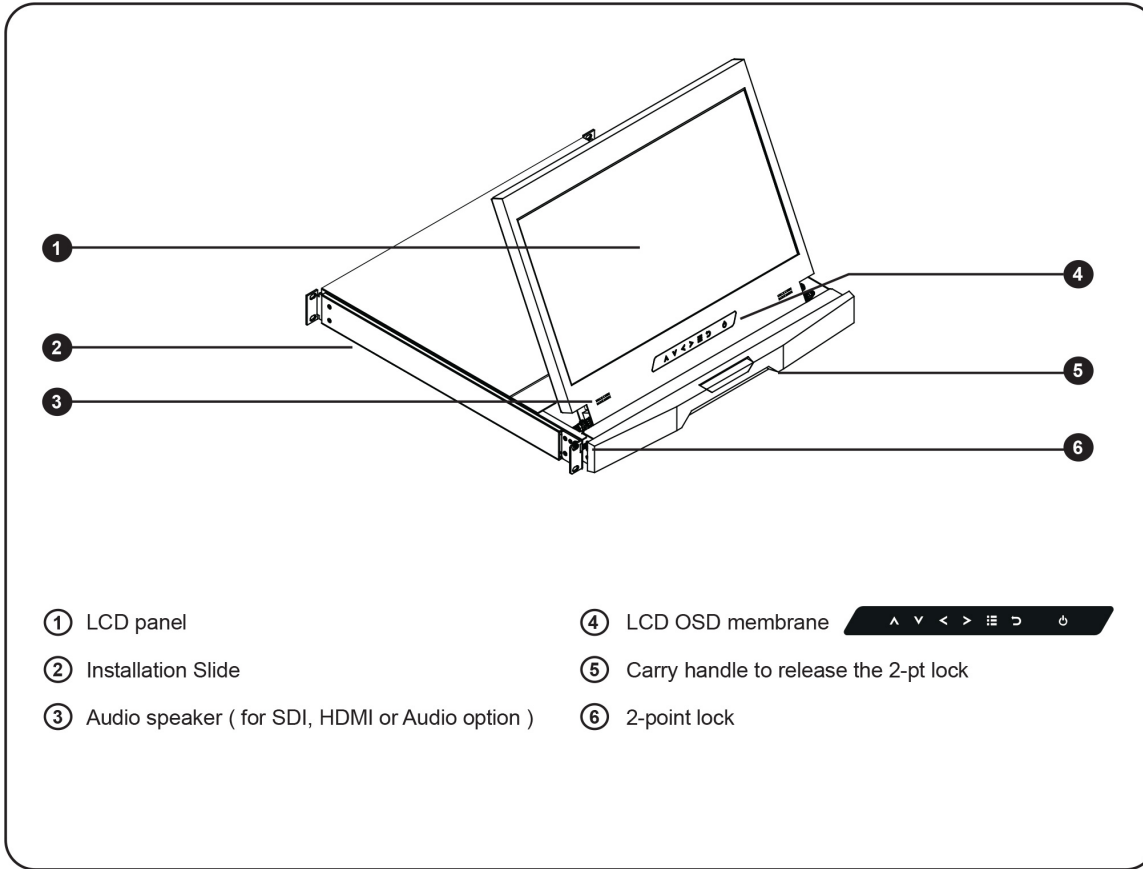
Compliance	
EMC	FCC & CE
Safety	CE / LVD & UKCA
Environment	RoHS2 & REACH

Mounting Distance	
Display drawer	490 ~ 720 mm 19.3 ~ 28.3 inch

Physical		
Dimensions (W x D x H)	Product	442 x 480 x 44 mm 17.4 x 18.9 x 1.73 inch
	Packing	588 x 758 x 120 mm 23.1 x 29.8 x 4.7 inch
Weight	Net	11 kg / 24.2 lb
	Gross	15 kg / 33 lb

**Specifications subject to change without notice, not responsible for typographical errors.*

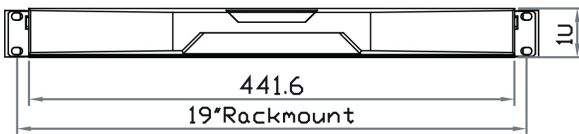
STRUCTURE DIAGRAM



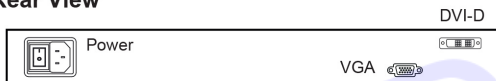
MECHANICAL DRAWING

This is subject to change without Notice. Final Drawings Will be Provided for Approval after Order.

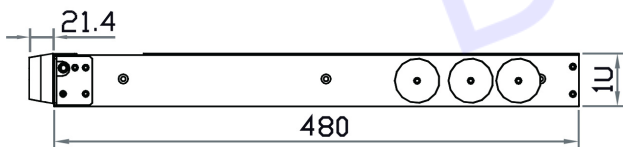
Front View



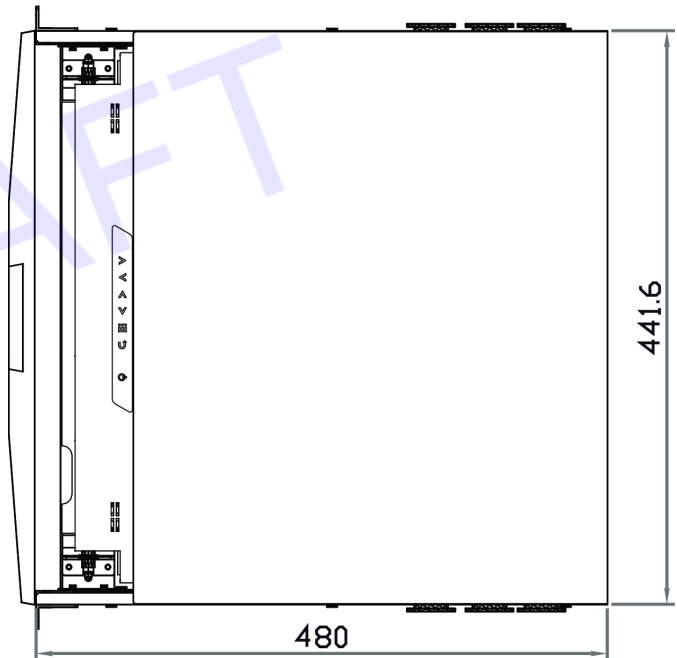
Rear View



Side View



Top View



Drawing No.: NPW117HB-HDMI-06302022-V1