

1U Rackmount Wide 17" TFT LCD Rackmount
Monitor Drawer 1920 x 1080 resolution with
VGA + DVI Input, 16" Deep

Model: NPW117



FEATURES:

- 1U 17" LCD display drawer
- 1920 x 1080 native resolution / 16.7M colors (8-bit)
- DVI-D + VGA video input
- Ideal for open rack / short depth rack
- One Man installation design
- Enhanced aesthetics with molded front panel and two point lock
- 2-year standard warranty (upgradable up to 5 years)

OPTIONS

- HDMI 1.4(AV4.4)
 - DP 1.0 + HDMI 1.4* (DP)
 - Composite + Audio input & output (BNC)
 - 3G / HD / SD-SDI Broadcast-grade input (SDI)
 - DC power: 12V / 24V / 48V /125V
 - Touchscreen : Projected Capacitive 10-pt / Resistive 1 -pt
- * No DVI-D after integration of DP 1.0 video input

SPECIFICATIONS:

Video Option		
Digital	HDMI	HDMI 1.4 / HDCP 1.4
	Display port	DP 1.0 / HDCP 1.3
Analog	Composite (BNC)	NTSC & PAL

LCD Panel	
Panel size (diagonal)	17.3"
Native resolution	1920 x 1080
Brightness (cd/m ²)	300
Contrast ratio (typ.)	1000 : 1
Colors	16.7 M, 8-bit
Viewing angle (L/R/U/D)	89/89/89/89
Response time (ms)	25
Dot pitch (mm)	0.1989
Display area (mm)	381.888H x 214.812V
Surface treatment	Anti-glare, Hard-coating
Surface hardness	3H
Backlight type	LED
MTBF (hrs)	15,000

Mounting Distance	
Display Drawer	410 ~ 640 mm 16.1 ~ 25.2 inch

Video	
Video input	VGA + DVI-D single link

Power		
Input	Auto-sensing 100 to 240VAC, 50 / 60Hz	
Consumption	Screen on	Max. 14W
	Power saving mode	Max. 2W
	Power button on	Max. 1W

Environment	
Operating temp.	0 to 55°C degree
Storage temp.	-20 to 60°C degree
Operating humidity	20~90%, non-condensing
Storage humidity	5 ~90%, non-condensing
Operating altitude	16,000 ft
Non-operating altitude	40,000 ft
Shock	10G acceleration (11ms duration)
Vibration	10~300Hz 0.5G RMS random vibration

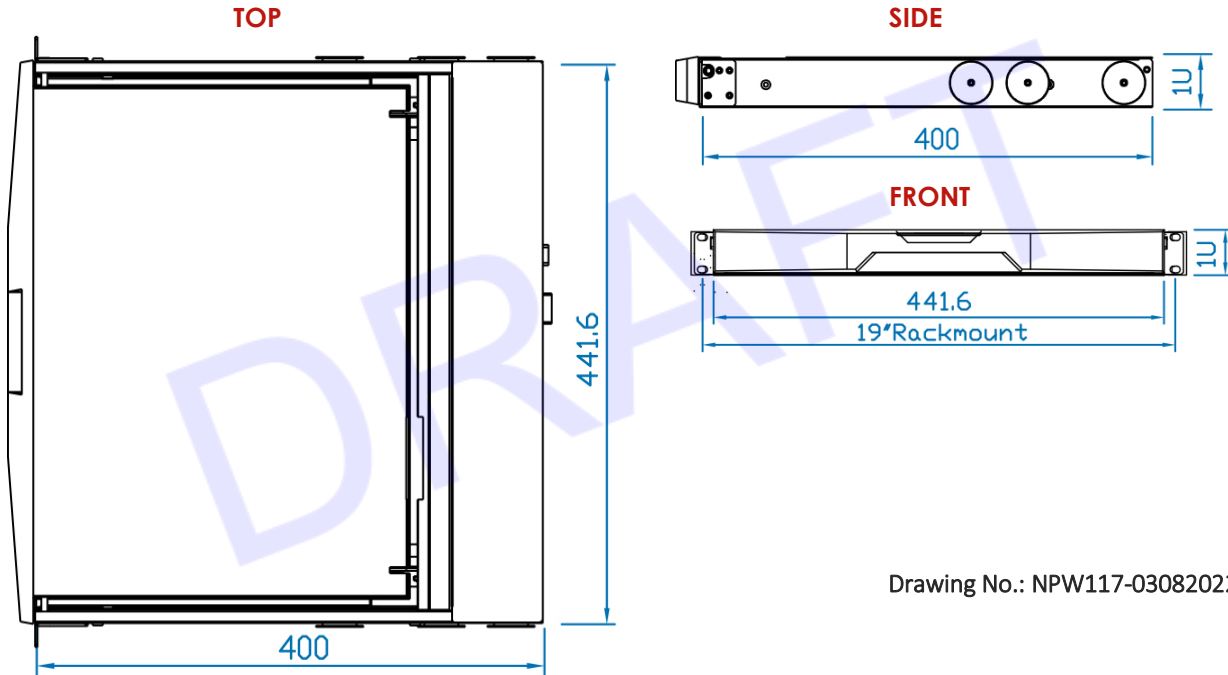
Compliance	
EMC	FCC & CE certified
Safety	CE / LVD certified
Environment	RoHS2 & REACH compliant

Physical		
Dimensions; (W x D x H)	Product	442 x 400 x 44 mm 17.4 x 15.7 x 1.73 inch
	Packing	588 x 758 x 120 mm 23.1 x 29.8 x 4.7 inch
Weight	Net	8.7 kg / 19.1 lb
	Gross	13.7 kg / 30.1 lb

*Specifications subject to change without notice, not responsible for typographical errors.

MECHANICAL DRAWING

This is subject to change without Notice. Final Drawings Will be Provided for Approval after Order.



Drawing No.: NPW117-03082022-V1