

9U 20" TFT LCD Rackmount Monitor Flat Panel
Resolution 1600 x 1200, DVI-D + Audio
Speaker + VGA + HDMI

MODEL: NP920H



BENEFITS:

- 1600 x 1200 native resolution with 16.7 million colors
- DVI-D, VGA, and HDMI inputs supported, including audio and built-in speakers
- TAA compliant design
- Durable 9U 20" LCD display panel
- Comes with a 2-year warranty, extendable up to 5 years

OPTIONS:

- Dual stereo speakers for HDMI (HS4.4)
- DVI-D + Audio input & output + Speakers (AV3.0)
- S-Video + Composite + Speakers (BNC)
- 3G / HD / SD-SDI Broadcast-grade input + Speakers (SDI)
- Multi display OSD controller (MCS)
- MIL-type or lockable connector
- DC power : 12V / 24V / 48V / 125V / 250V
- IP65 front protection (IP65)
- Touchscreen : Resistive 1-pt

SPECIFICATIONS

| Video | |
|-------------|--------------------|
| Video input | DVI-D + VGA + HDMI |

| LCD Panel | |
|----------------------------------|--------------------------|
| Panel size (diagonal) | 20.1" |
| Native resolution | 1600 x 1200 |
| Brightness (cd/m ²) | 300 |
| Contrast ratio (typ.) | 800 : 1 |
| Colors | 16.7 M |
| Viewing angle (L/R/U/D) | 89/89/89/89 |
| Response time (ms) | 16 |
| Dot pitch (mm) | 0.255 |
| Display area (mm) | 408H x 306V |
| Surface treatment | Anti-glare, Hard-coating |
| Surface hardness | 3H |
| Backlight type | LED |
| MTBF (hrs) | 45,000 |

| Physical | | |
|--------------------------|---------|---|
| Dimensions (W x D x H) | Product | 480 x 64 x 399 mm 18.9 x 2.5 x 15.7 inch |
| | Packing | 583 x 124 x 529 mm 23 x 4.9 x 20.8 inch |
| Weight | Net | 8.5 kg / 18.7 lb |
| | Gross | 11 kg / 24.2 lb |

| Power | | |
|-------------|---------------------------------------|----------|
| Input | Auto-sensing 100 to 240VAC, 50 / 60Hz | |
| Consumption | Screen on | Max. 45W |
| | Power saving mode | Max. 2W |
| | Power button off | Max. 1W |

| Video Option | | |
|--------------|-------------------|-------------------|
| Digital | DVI-D | DVI-D single link |
| Analog | S-Video (4-pin) | NTSC & PAL |
| | Composite (BNC) | NTSC & PAL |

| Audio Option | | |
|--------------|--------------------------|-------------------|
| Input | Connector | 3.5mm stereo jack |
| | Impedance / Power level | 30kΩ / 750mV |
| Output | Connector | 3.5mm stereo jack |
| | Resistance / Power level | 30kΩ / 2.8V |
| Speaker | Dual stereo | 2W x 2 |

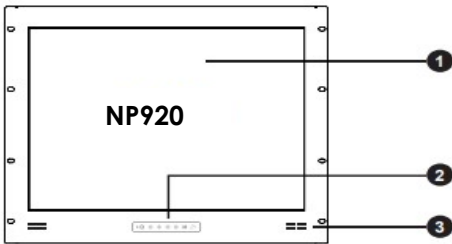
| Environment | |
|------------------------|------------------------------------|
| Operating temp. | 0 to 55°C degree |
| Storage temp. | -20 to 60°C degree |
| Operating humidity | 10~90%, non-condensing |
| Storage humidity | 5 ~90%, non-condensing |
| Operating altitude | 16,000 ft |
| Non-operating altitude | 40,000 ft |
| Shock | 10G acceleration (11ms duration) |
| Vibration | 10~300Hz 0.5G RMS random vibration |


| Compliance | |
|-------------|----------------------|
| EMC | FCC, CE |
| Safety | CE / LVD & UKCA |
| Environment | RoHS3 & REACH / WEEE |

**Specifications subject to change without notice, not responsible for typographical errors.*

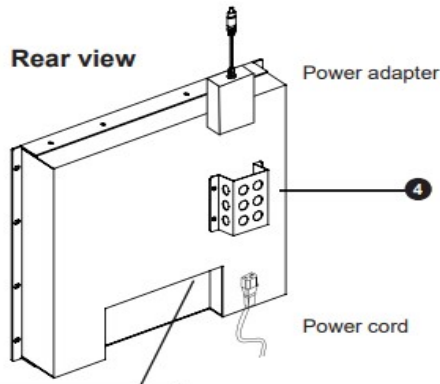
STRUCTURE DIAGRAM

Front view



- ① LCD panel
- ② LCD membrane 
- ③ Audio speaker (optional)
- ④ Power adapter basket

Rear view

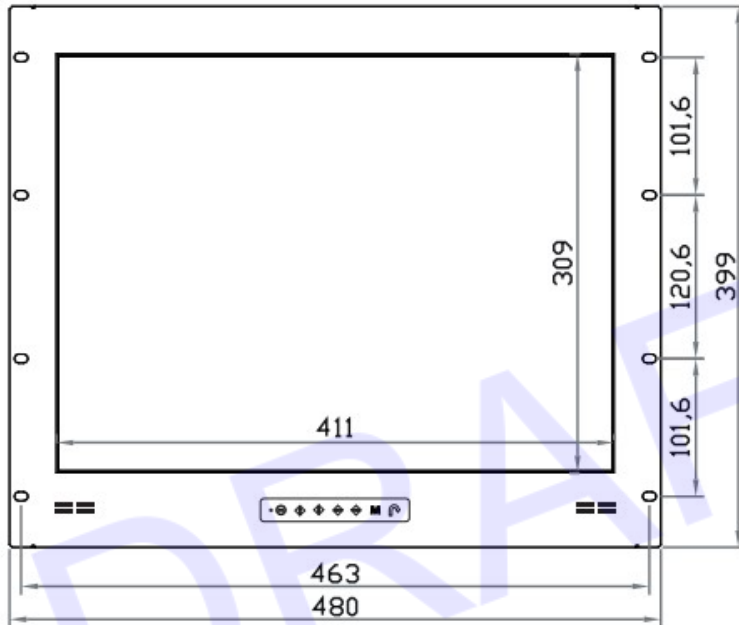


- Basic I/O** : HDMI + VGA
- Speaker** : HDMI + VGA + Speaker
- BNC** : HDMI + VGA + BNC + S-Video + Speaker
- DVI-D** : HDMI + DVI-D + VGA + Audio input & output + Speaker
- Options** : SDI, USB for touchscreen & DC power

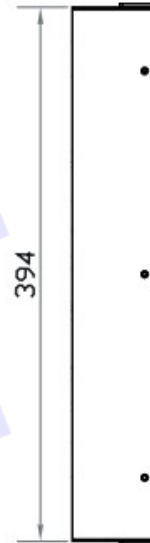
DIMENSION

This is subject to change without Notice. Final Drawings Will be Provided for Approval after Order.

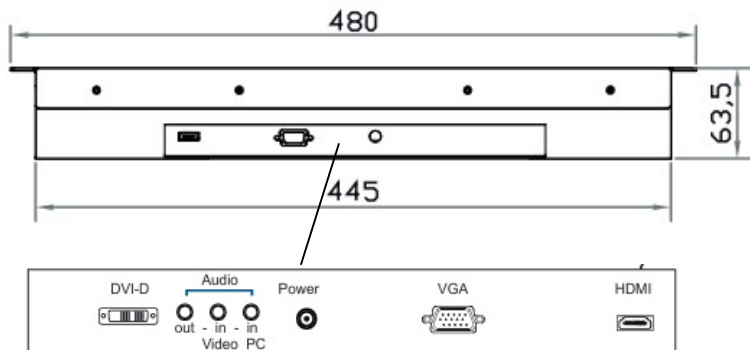
Front View



Side View



Bottom View



UNIT : mm
1mm = 0.03937 inch

Drawing No.: NP920H-11142025-V1