

9U 20" TFT LG LCD Rackmount Monitor Flat Panel, Resolution 1600 x 1200, VGA + HDMI-1.2 + Audio w/speakers

MODEL: NP920-H



BENEFITS:

- 9U 20" LCD display panel
- 1600 x 1200 native resolution / 16.7M colors
- HDMI 1.2 + VGA video input (speakers included)
- 2-year standard warranty (upgradable up to 5 years)

OPTIONS:

- Dual stereo speakers for HDMI (HS4.4)
- DVI-D + Audio input & output + Speakers (AV3.0)
- S-Video + Composite + Speakers (BNC)
- 3G / HD / SD-SDI Broadcast-grade input + Speakers (SDI)
- Multi display OSD controller (MCS)
- MIL-type or lockable connector
- DC power : 12V / 24V / 48V / 125V / 250V
- Touchscreen : Resistive 1-pt

SPECIFICATIONS:

Video	
Video input	VGA + HDMI 1.2

LCD Panel	
Panel size (diagonal)	20.1"
Native resolution	1600 x 1200
Brightness (cd/m ²)	300
Contrast ratio (typ.)	800 : 1
Colors	16.7 M
Viewing angle (L/R/U/D)	89/89/89/89
Response time (ms)	16
Dot pitch (mm)	0.255
Display area (mm)	408H x 306V
Surface treatment	Anti-glare, Hard-coating
Surface hardness	3H
Backlight type	LED
MTBF (hrs)	45,000

Physical		
Dimensions (W x D x H)	Product	480 x 64 x 399 mm 18.9 x 2.5 x 15.7 inch
	Packing	583 x 124 x 529 mm 23 x 4.9 x 20.8 inch
Weight	Net	8.5 kg / 18.7 lb
	Gross	11 kg / 24.2 lb

Power		
Input	Auto-sensing 100 to 240VAC, 50 / 60Hz	
Consumption	Screen on	Max. 45W
	Power saving mode	Max. 2W
	Power button off	Max. 1W

Video Option		
Digital	DVI-D	DVI-D Single link
Analog	S-Video (4-pin)	NTSC & PAL
	Composite (BNC)	NTSC & PAL

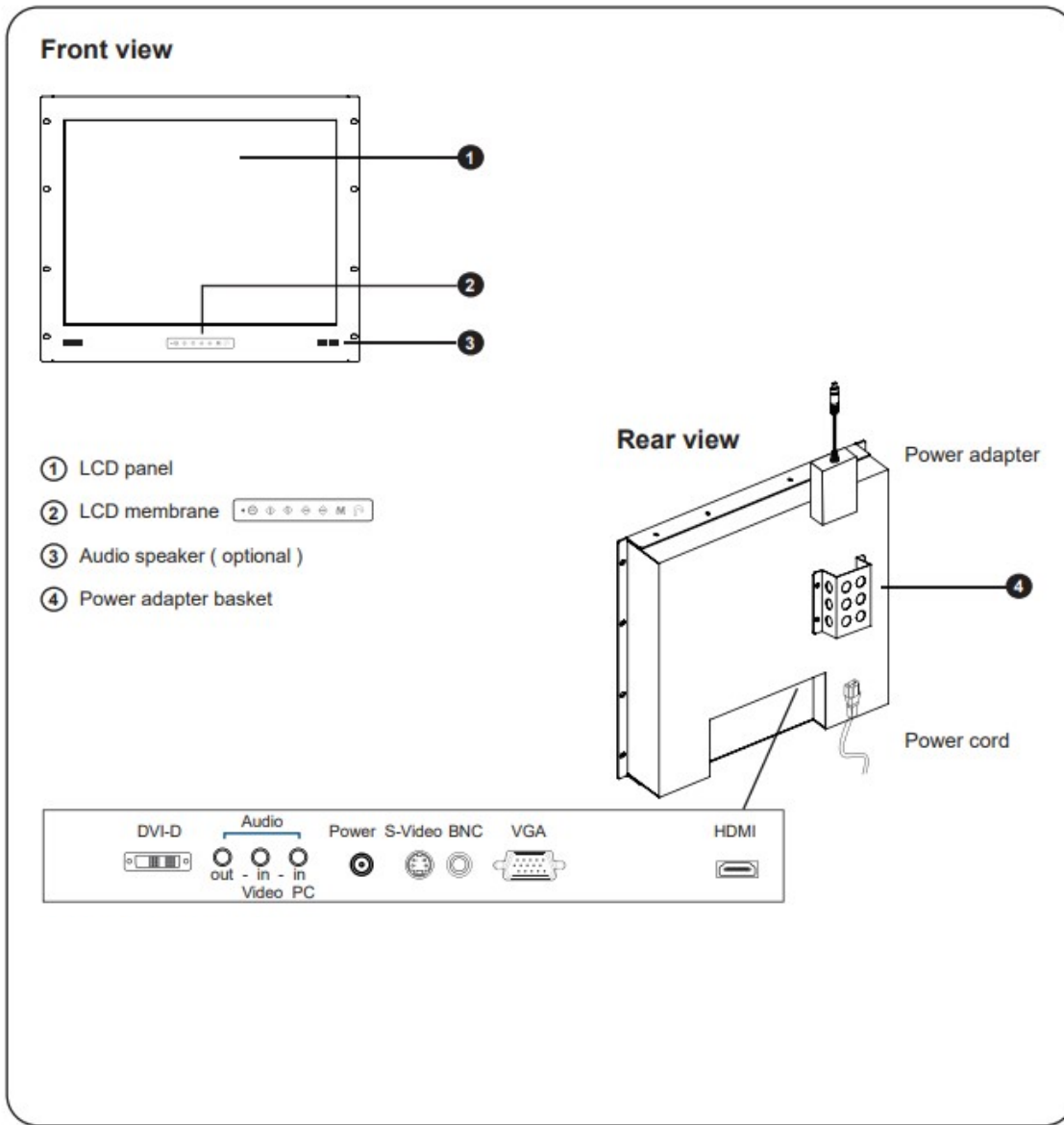
Audio Option		
Input	Connector	3.5mm stereo jack
	Impedance / Power level	30kQ / 750mV
Output	Connector	3.5mm stereo jack
	Resistance / Power level	30kQ / 2.8V
Speaker	Dual stereo	2W x 2

Environment	
Operating temp.	0 to 55°C degree
Storage temp.	-20 to 60°C degree
Operating humidity	10~90%, non-condensing
Storage humidity	5 ~90%, non-condensing
Operating altitude	16,000 ft
Non-operating altitude	40,000 ft
Shock	10G acceleration (11ms duration)
Vibration	10~300Hz 0.5G RMS random vibration

Compliance	
EMC	FCC, CE
Safety	CE / LVD & UKCA
Environment	RoHS3 & REACH / WEEE

*Specifications subject to change without notice, not responsible for typographical errors.

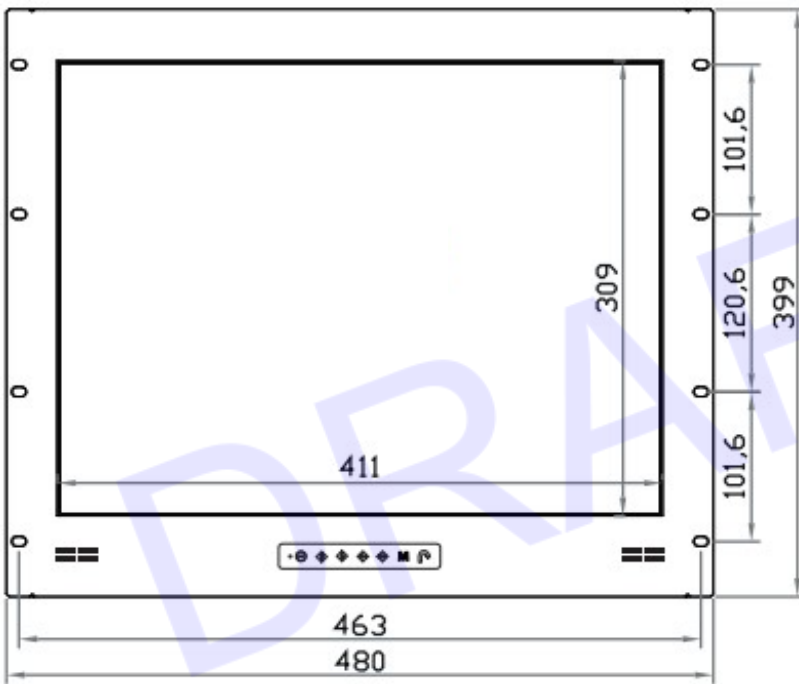
STRUCTURE DIAGRAM



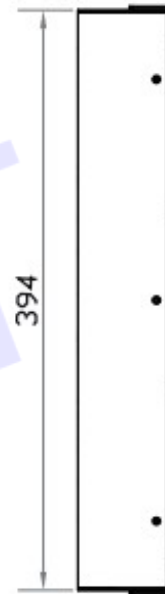
DIMENSION

This is subject to change without Notice. Final Drawings Will be Provided for Approval after Order.

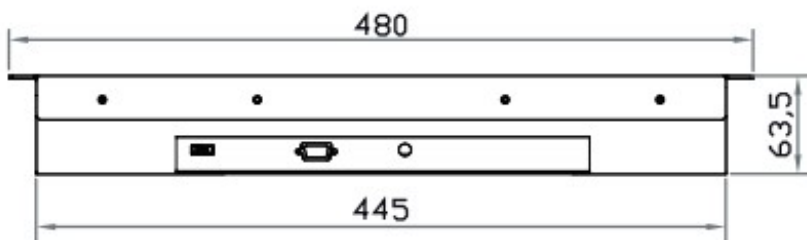
Front View



Side View



Bottom View



UNIT : mm

1mm = 0.03937 inch

Drawing No.: NP920-H-08142023-V1