

1U Rackmount 19" TFT LCD Monitor Drawer Only
1280x1024 Resolution Video Input: DVI-D + Audio + Speaker
VGA + HDMI, No Keyboard, 22.45" Deep/570mm

MODEL: NP119AV-NV1



BENEFITS:

- 1U 19-inch LCD display drawer
- Native resolution of 1280 x 1024 with a palette of 16.7 million colors
- Features HDMI 1.4, DVI-D and VGA video inputs (speakers not included)
- Designed for easy one-person installation
- Improved aesthetics with a molded front panel and a secure two-point lock mechanism
- Comes with a standard 2-year warranty, with the option to upgrade to a 5-year warranty.
- TAA Compliant

OPTIONS:

- Dual stereo speakers for HDMI (HS4.4)
- DVI-D + Audio input & output + Speakers (DV4.4)
- S-Video + Composite + Speakers (BNC)
- 3G / HD / SD-SDI Broadcast-grade input + Speakers (SDI)
- DC power : 12V / 24V / 48V / 125V / 250V
- 19" Touchscreen : Resistive 1-pt

SPECIFICATIONS

Console Port	
Video input	HDMI 1.4 + VGA + DVI-D

LCD Panel	
Panel size (diagonal)	19"
Native resolution	1280 x 1024
Brightness (cd/m ²)	250
Contrast ratio (typ.)	1000 : 1
Colors	16.7 M
Viewing angle (L/R/U/D)	85/85/80/80
Response time (ms)	5
Dot pitch (mm)	0.294
Display area (mm)	376.32H x 301.06V
Surface treatment	Haze 25%, Hard-coating
Surface hardness	3H
Backlight type	LED
MTBF (hrs)	30,000

Physical		
Dimensions (W x D x H)	Product	442 x 570 x 44 mm 17.4 x 22.4 x 1.73 inch
	Packing	588 x 758 x 120 mm 23.1 x 29.8 x 4.7 inch
Weight	Net	12.5 kg / 27.5 lb
	Gross	18.5 kg / 40.7 lb

Mounting Distance	
Display Drawer	510 ~ 740 mm 20.1 ~ 29.1 inch

**Specifications subject to change without notice, not responsible for typographical errors.*

Video Option		
Digital	DVI-D	DVI-D single link
Analog	S-Video (4-pin)	NTSC & PAL
	Composite (BNC)	NTSC & PAL

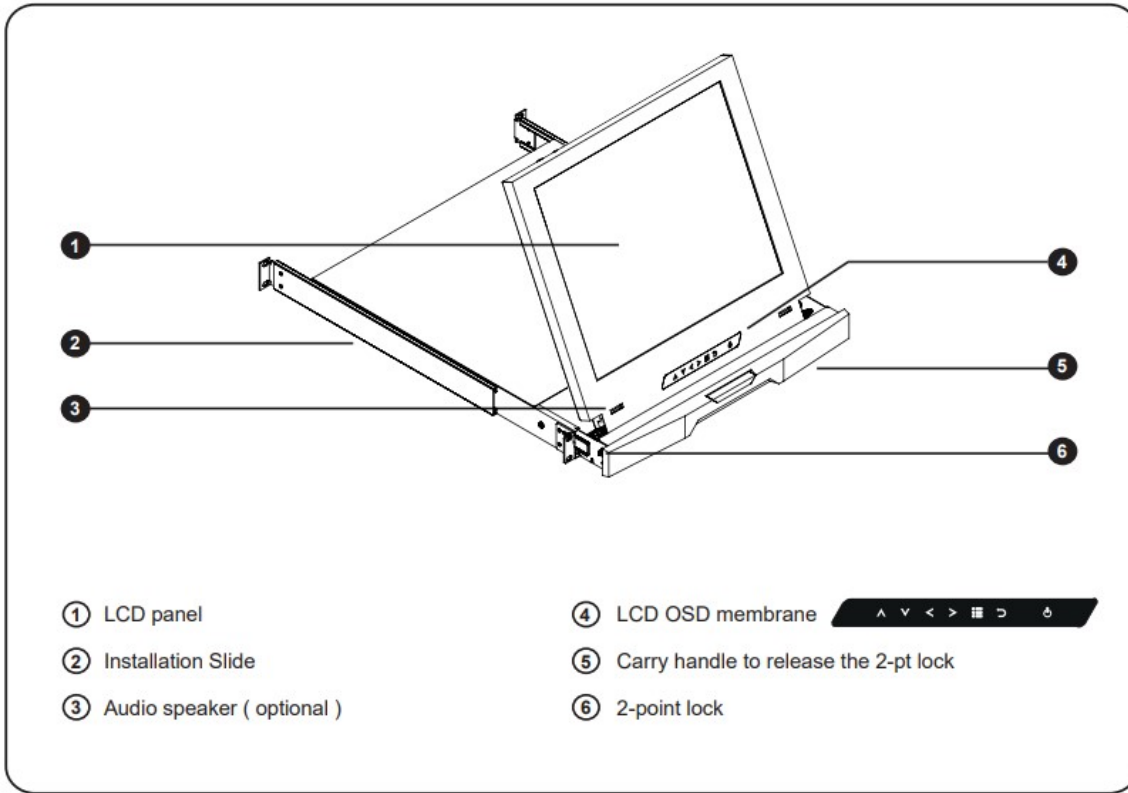
Audio Option		
Input	Connector	3.5mm stereo jack
	Impedance / Power level	30kΩ / 750mV
Output	Connector	3.5mm stereo jack
	Resistance / Power level	30kΩ / 2.8V
Speaker	Dual stereo	2W x 2

Power		
Input	Auto-sensing 100 to 240VAC, 50 / 60Hz	
Consumption	Screen on	Max. 22W
	Power saving mode	Max. 2W
	Power button off	Max. 1W

Environment	
Operating temp.	0 to 55°C degree
Storage temp.	-20 to 60°C degree
Operating humidity	10~90%, non-condensing
Storage humidity	5 ~90%, non-condensing
Operating altitude	16,000 ft
Non-operating altitude	40,000 ft
Shock	10G acceleration (11ms duration)
Vibration	10~300Hz 0.5G RMS random vibration

Compliance	
EMC	FCC, CE
Safety	CE / LVD & UKCA
Environment	REACH & RoHS3 / WEEE

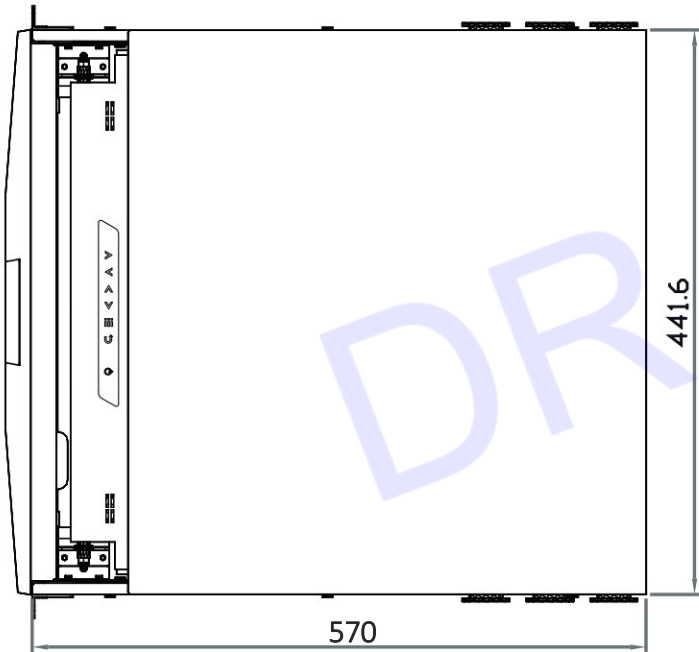
STRUCTURE DIAGRAM



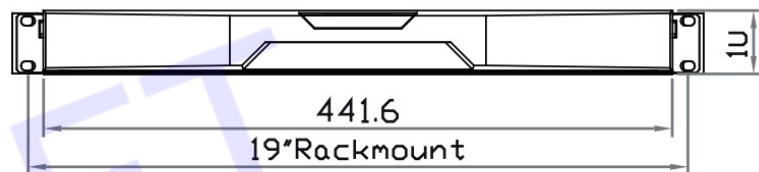
DIMENSION

This is subject to change without Notice. Final Drawings Will be Provided for Approval after Order.

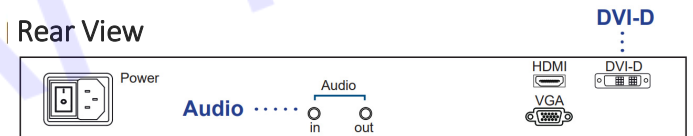
Top View



Front View

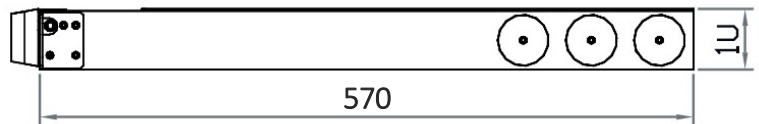


Rear View



⚠ Chassis extension in depth to 570mm (22.4")

Side View



Drawing No.: NP119AV-NV1-05302024-V1