

1U Rackmount 19" TFT LCD Rackmount Monitor Drawer with
3G-SDI + VGA + HDMI w/ Speaker + BNC + S-Video
1280x1024 resolution, 22.4" Deep, with Built-In Power Auto-sensing
100 to 240VAC, 50 / 60Hz

MODEL: NP119-SDI



BENEFITS:

- 1U 19-inch LCD display drawer
- Native resolution of 1280 x 1024 with a palette of 16.7 million colors
- Features 3G-SDI + VGA + HDMI w/ Speaker + BNC + S-Video
- Designed for easy one-person installation
- Improved aesthetics with a molded front panel and a secure two-point lock mechanism
- Comes with a standard 2-year warranty, with the option to upgrade to a 5-year warranty.

OPTIONS:

- Dual stereo speakers for HDMI (HS4.4)
- DVI-D + Audio input & output + Speakers (DV4.4)
- S-Video + Composite + Speakers (BNC)
- 3G / HD / SD-SDI Broadcast-grade input + Speakers (SDI)
- DC power : 12V / 24V / 48V / 125V / 250V
- 19" Touchscreen : Resistive 1-pt

SPECIFICATIONS

Console Port	
Video input	3G-SDI + VGA + HDMI + BNC + S-Video

LCD Panel	
Panel size (diagonal)	19"
Native resolution	1280 x 1024
Brightness (cd/m ²)	250
Contrast ratio (typ.)	1000 : 1
Colors	16.7 M
Viewing angle (L/R/U/D)	85/85/80/80
Response time (ms)	5
Dot pitch (mm)	0.294
Display area (mm)	376.32H x 270.33V
Surface treatment	Haze 25%, Hard-coating
Surface hardness	3H
Backlight type	LED
MTBF (hrs)	30,000

Physical		
Dimensions (W x D x H)	Product	442 x 570 x 44 mm 17.4 x 22.4 x 1.73 inch
	Packing	588 x 758 x 120 mm 23.1 x 29.8 x 4.7 inch
Weight	Net	12.5 kg / 27.5 lb
	Gross	18.5 kg / 40.7 lb

Mounting Distance	
Display Drawer	510 ~ 740 mm 20.1 ~ 29.1 inch

**Specifications subject to change without notice, not responsible for typographical errors.*

Video Option		
Digital	DVI-D	DVI-D single link
Analog	S-Video (4-pin)	NTSC & PAL
	Composite (BNC)	NTSC & PAL

Audio Option		
Input	Connector	3.5mm stereo jack
	Impedance / Power level	30kQ / 750mV
Output	Connector	3.5mm stereo jack
	Resistance / Power level	30kQ / 2.8V
Speaker	Dual stereo	2W x 2

Power		
Input	Auto-sensing 100 to 240VAC, 50 / 60Hz	
Consumption	Screen on	Max. 22W
	Power saving mode	Max. 2W
	Power button off	Max. 1W

Environment	
Operating temp.	0 to 55°C degree
Storage temp.	-20 to 60°C degree
Operating humidity	10~90%, non-condensing
Storage humidity	5 ~90%, non-condensing
Operating altitude	16,000 ft
Non-operating altitude	40,000 ft
Shock	10G acceleration (11ms duration)
Vibration	10~300Hz 0.5G RMS random vibration

Compliance	
EMC	FCC, CE
Safety	CE / LVD & UKCA
Environment	REACH & RoHS3 / WEEE

3G / HD / SD-SDI INPUT



SDI input is an ideal solution for the broadcast grade video and high resolution CCTV market.

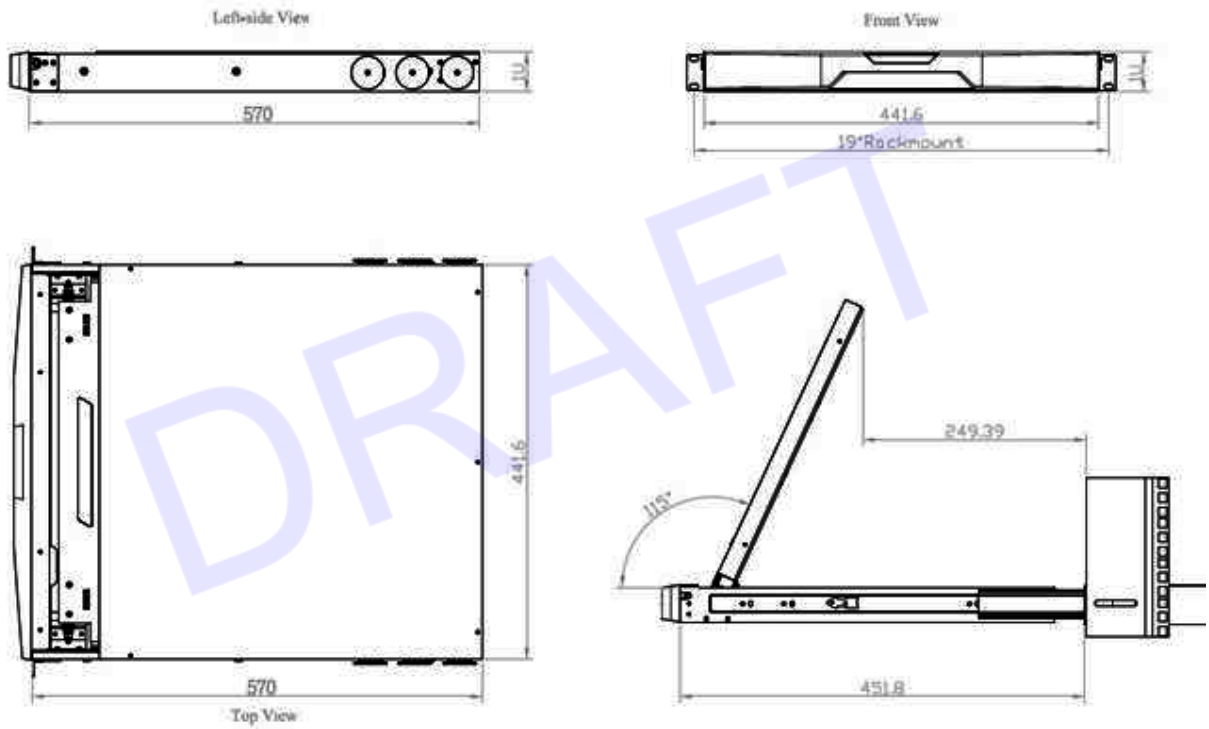
SDI input module can support up to 1080p @60Hz resolution without using additional space or power and it comes standard with a 2-year warranty.

* SDI option comes with speakers.

INPUT	3G-SDI IN	BNC x 1 / 0.8Vp-p (75 ohm)	
	3G-SDI OUT	BNC x 1 / Active through, equalized & relocked	
Standard Compliance			
Video	SMPTE 425M / 274M / 296M / 125M ITU-R BT.656		
	Audio	SMPTE 299M / 272M-C	
Compatible Video Format			
3G-SDI	1080p	@60 / 50Hz, 4:2:2	
	1080p	@30 / 25 / 24Hz, 4:4:4	
	1080i	@60 / 50Hz, 4:4:4	
	720p	@60 / 50Hz, 4:4:4	
HD-SDI	1080p	@30 / 25 / 24Hz, 4:2:2	
	1080i	@60 / 50Hz, 4:2:2	
	720p	@60 / 50Hz, 4:2:2	
SD-SDI	480i	@60Hz, 4:2:2	
ITU-R BT.656	576i	@50Hz, 4:2:2	
Compatible Audio Format			
3G-SDI	48kHz, 16 / 20 / 24 bit, 2 CH, Synchronized Video		
HD-SDI	48kHz, 16 / 20 / 24 bit, 2 CH, Synchronized Video		
SD-SDI	48kHz, 16 / 20 / 24 bit, 2 CH, Synchronized / Asynchronized Video		
Max. Transmission Distance 75 ohm coaxial cable			
3G-SDI	150m at 2.97Gb/s		
HD-SDI	250m at 1.485Gb/s		
SD-SDI	480m at 270Mb/s		

DIMENSION

This is subject to change without Notice. Final Drawings Will be Provided for Approval after Order.



Signal Input : 3G-SDI + VGA + HDMI w/ Speaker + BNC + S-Video



 Chassis extension in depth to 570mm (22.4")

Drawing No.: NP119-SDI-01122024-V1