

1U Rackmount USB Keyboard 2K 8-Ports HDMI KVM, notebook key w/ touch pad
Includes N2K-6H Cables HDMI-USB KVM cable, 6 feet

Model: NK-2K801e



BENEFITS

- 1U keyboard drawer
- 104-key keyboard featuring a touchpad or trackball option
- Single-person installation mechanism
- Improved appearance with a molded front panel and a two-point locking system
- Standard 2-year warranty (upgradeable to 5 years)

SPECIFICATIOIS

Console Port	
KB / MS	USB interface
	Drawer end : attached 6ft USB cable x 2 Server end : USB type A x 2

Physical		
Dimensions (WxDxH)	Product	442 x 600 x 44 mm 17.4 x 23.6 x 1.73 inch
	Packing	580 x 845 x 115 mm 22.8 x 33.3 x 4.5 inch
Weight	Net	10.9 kg / 24 lb
	Gross	13.2 kg / 29 lb

Mounting Distance	
Keyboard Drawer/ Console w/ KVM drawer	560 ~ 790 mm 22 ~ 31.1 inch

OPTIONS

- MAC or SUN Micro keyboard options available

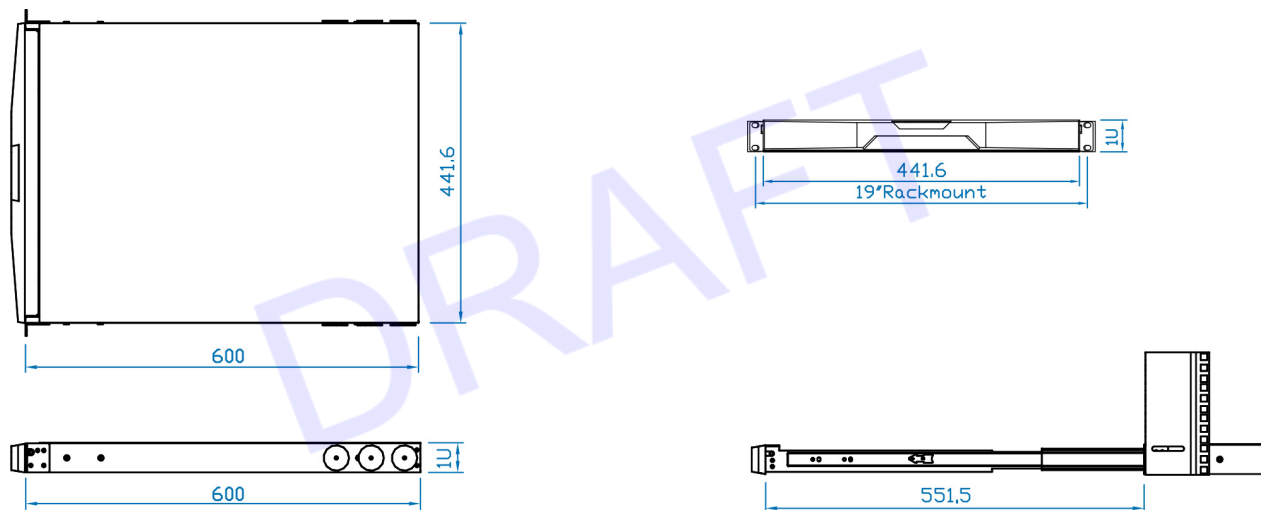
Environment	
Operating temp.	-20 to 65°C degree
Storage temp.	-20 to 60°C degree
Operating humidity	10~90%, non-condensing
Storage humidity	5 ~90%, non-condensing
Operating altitude	16,000 ft
Non-operating altitude	40,000 ft
Shock	10G acceleration (11ms duration)
Vibration	10~300Hz 0.5G RMS random vibration

Compliance	
EMC	FCC & CE
Safety	CE / LVD & UKCA
Environment	REACH & RoHS3 / WEEE

**Specifications subject to change without notice, not responsible for typographical errors.*

MECHANICAL DRAWING

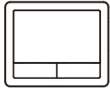
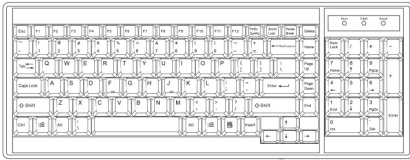
This is subject to change without Notice. Final Drawings Will be Provided for Approval after Order.



Drawing No.: NK-2K801e-10062023-V1

STANDARD KEYBOARD

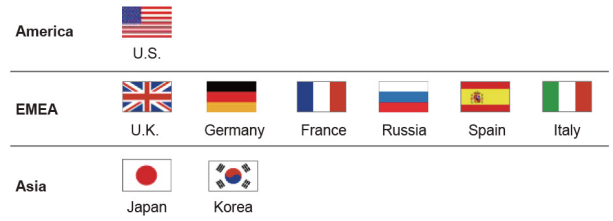
Ge G keyboard with touchpad



Gb G keyboard with trackball



Supporting layouts



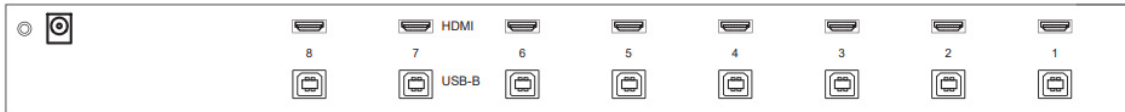
KEYBOARD OPTIONS

Se S keyboard with touchpad



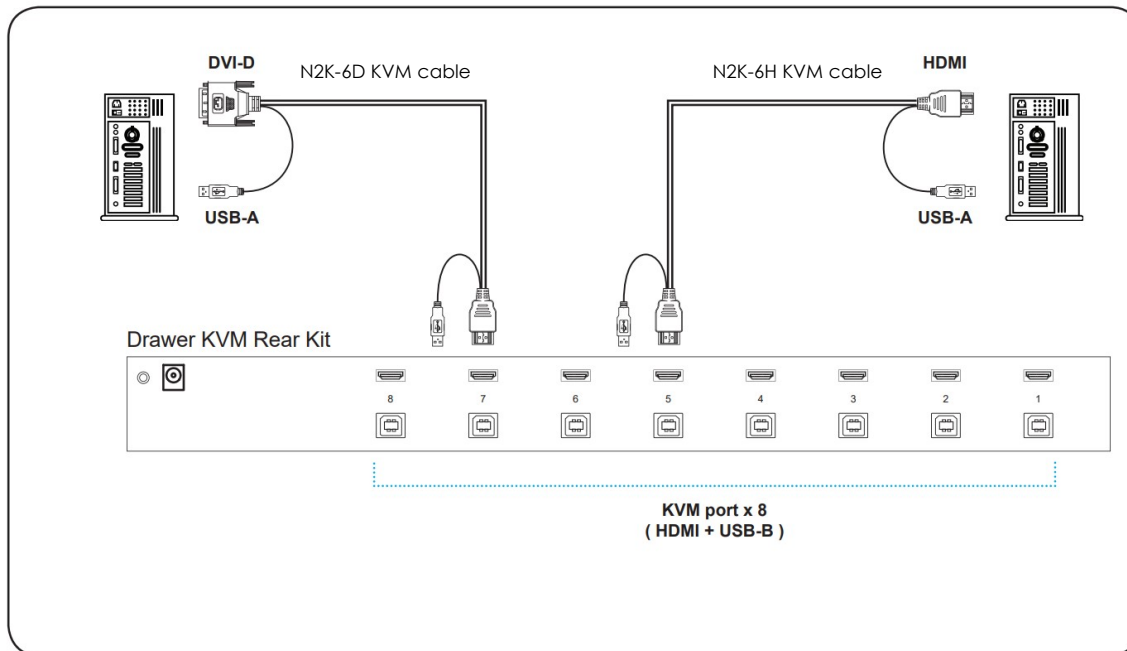
Sb S keyboard with trackball

2K KVM



BACK

KVM port connection



KVM Specifications

KVM Port		
Number of ports :	8	
Connector :	HDMI 1.4 + USB-B (Video + KB / MS)	
Resolution :	16 : 9 - max. 2560 x 1440@60Hz	
	16 : 10 - max. 1920 x 1200@60Hz	
	4 : 3 - max. 1600 x 1200@60Hz	
Management		
PC Selection :	Front button & keyboard hotkey	
Compatibility		
Hardware :	HP / IBM / Dell PC, Server and Blade Server	
	SUN / Mac	
OS Support :	Windows / Linux / Unix / Mac OS	
Power		
Input :	Auto sensing 100 to 240VAC, 50 / 60 Hz	
Consumption :	Max. 10W	
Compliance		
EMC :	FCC & CE	
Safety :	CE / LVD & UKCA	
Environment :	RoHS3 & REACH / WEEE	
Environmental	Operating	Storage / Non-operating
Temperature :	0 to 55°C degree	-20 to 60°C degree
Humidity :	10~90%, non-condensing	5~90%, non-condensing
Altitude :	16,000 ft	40,000 ft
Shock :	10G acceleration (11ms duration)	
Vibration :	10~300Hz 0.5G RMS random	

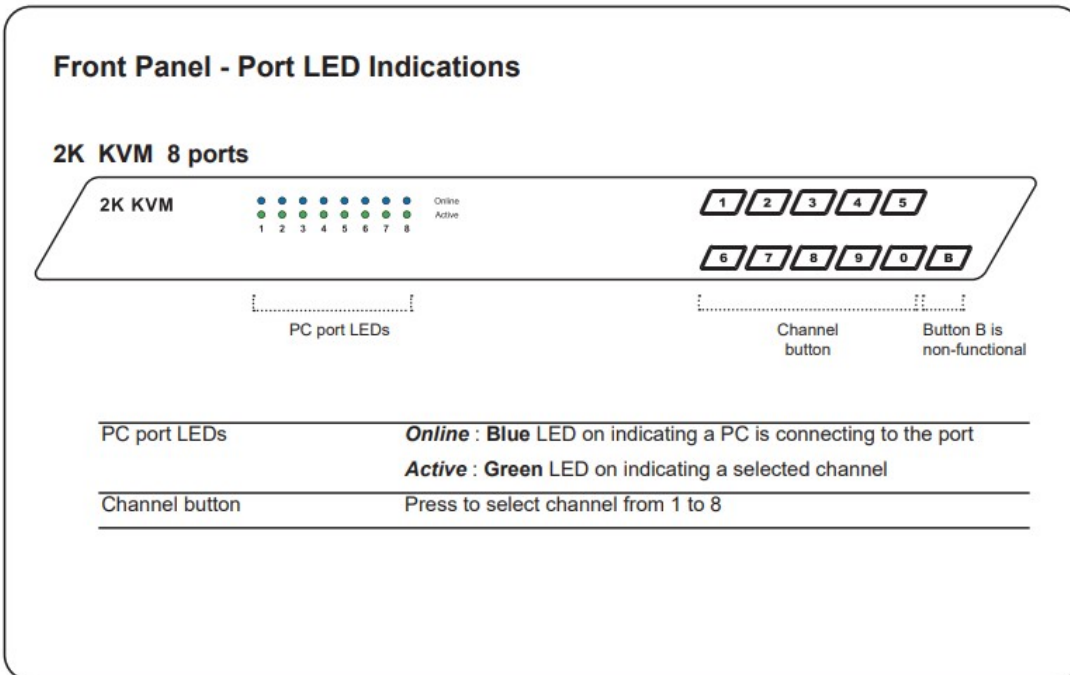
KVM Button

Power ON

Turn off all servers and KVM switches

Make sure all cables / connectors are properly connected

Recommend Power ON sequence is monitor, KVM switch finally computer



KVM Hotkey

Hotkey	Function
Scroll Lock + Scroll Lock + ↑	Switch to previous port
Scroll Lock + Scroll Lock + ↓	Switch to next port
Scroll Lock + Scroll Lock + Port no.	Switch to specific port
Scroll Lock + Scroll Lock + S	Auto scan for powered on PC
Scroll Lock + Scroll Lock + B	Enable / Disable beeper sound

Remarks:

- Example of "Scroll Lock + Scroll Lock + Port no."
 - Port No. : 1 to 8
 - e.g. Port 4 : **Scroll Lock + Scroll Lock + 4**
 - e.g. Port 8 : **Scroll Lock + Scroll Lock + 8**
- You must press the hotkey within 3 seconds
- A beep sound will be heard for successful entering

Hotkey Label

KVM Hotkey	S L = Scroll Lock
Auto Scan : S L + S L + S	Change Port : S L + S L + Up / Down Arrow
Buzzer ON / OFF : S L + S L + B	Select Port : S L + S L + Port No.