



1U Rackmount Sunlight Readable High-Brightness 1000nits 19" LCD Console Drawer w/ Notebook 104- Key Keyboard, VGA Input & Touchpad (e)



Model: HNVP119e

BENEFITS:

- 1U 19" / LCD console drawer
- 1280 x 1024 native resolution / 16.7M colors / 1000 cd/m² brightness
- 104-key keyboard with either touchpad or trackball
- Short depth design of 480mm and 520mm respectively
- One Man installation design
- New enhanced aesthetics with molded front handle
- 2-year standard warranty (upgradable up to 5 years)

OPTIONS:

- Front USB hub port for device access
- HDMI 1.4 + DVI-D + Audio input & output (AV4.4)
- HDMI 1.4 + DVI-D video input (HDMI)
- 3G / HD / SD-SDI Broadcast-grade input (SDI)
- S-Video + Composite (BNC)
- DC power : 12V / 24V / 48V / 125V
- MAC or SUN Micro keyboard options available
- 19" Touchscreen : Resistive 1-pt

SPECIFICATIONS

Console Port	
Video input	VGA
KB / MS	USB interface
VGA console 6ft cable : NB-6A	Drawer end : DB-15 + USB type A x 2 Server end : DB-15 + USB type A x 2

LCD Panel	
Panel size (diagonal)	19"
Native resolution	1280 x 1024
Brightness (cd/m ²)	1000
Contrast ratio (typ.)	1000 : 1
Colors	16.7 M
Viewing angle (L/R/U/D)	85/85/80/80
Response time (ms)	5
Dot pitch (mm)	0.264
Display area (mm)	376.32H x 270.33V
Surface treatment	Haze 25%, Hard-coating
Surface hardness	3H
Backlight type	LED
MTBF (hrs)	30,000

Physical		
Product (W x D x H)	Single console	442 x 520 x 44 mm 17.4 x 20.5 x 1.73 inch
	Console w/ KVM	442 x 620 x 44 mm 17.4 x 24.4 x 1.73 inch
Packing (W x D x H)	Single console / Console w/ KVM	590 x 808 x 140 mm 23.2 x 31.8 x 5.5 inch
	Single console	13.2 kg / 29 lb
Net weight	Console w/ KVM	14.5 kg / 31.9 lb
	Single console	18.2 kg / 40 lb
Gross weight	Single console	18.2 kg / 40 lb
	Console w/ KVM	20.4 kg / 44.9 lb

Mounting Distance	
Single console drawer	530 ~ 760 mm 20.9 ~ 29.9 inch
Console w/ KVM drawer	530 ~ 840 mm 20.9 ~ 33.1 inch

Video Option		
Digital	DVI	DVI-D single link
	HDMI	HDMI 1.4 / HDCP 1.4
Analog	S-Video (4-pin)	NTSC & PAL
	Composite (BNC)	NTSC & PAL

Audio Option		
Input	Connector	3.5mm stereo jack
	Impedance / Power level	30kΩ / 750mV
Output	Connector	3.5mm stereo jack
	Resistance / Power level	30kΩ / 2.8V
Speaker	Dual stereo	2W x 2

Power		
Input	Auto-sensing 100 to 240VAC, 50 / 60Hz	
Consumption (console / KVM)	Screen on	Max. 30W / Max. 65W
	Power saving mode	Max. 2W / Max. 34W
	Power button off	Max. 1W / Nil

Environment	
Operating temp.	0 to 55°C degree
Storage temp.	-20 to 60°C degree
Operating humidity	20~90%, non-condensing
Storage humidity	5 ~90%, non-condensing
Operating altitude	16,000 ft
Non-operating altitude	40,000 ft
Shock	10G acceleration (11ms duration)
Vibration	10~300Hz 0.5G RMS random vibration

Compliance	
EMC	FCC, CE
Safety	CE / LVD & UKCA
Environment	RoHS3 & REACH

*Specifications subject to change without notice, not responsible for typographical errors.

MODELS with KVM

2K KVM	IP	Remote	8-port
	0	0	HNVP119-D8

2K KVM Cable



NK6D (6 ft)
DVI-D KVM cable



NK6H (6 ft)
HDMI KVM cable

Resolution Support **: 16:9 - max. 2560 x 1440
16:10 - max. 1920 x 1200
4:3 - max. 1600 x 1200

DVI-D KVM	IP	Remote	12-port
	0	0	HNVP119-D12

DVI-D USB KVM Cable

Resolution Support **: 16:10 - max. 1920 x 1200
16:9 - max. 1920 x 1080
4:3 - max. 1600 x 1200



NI - 6 (6 ft)
NI - 15 (15 ft)

Matrix CAT6 KVM	IP	Rem	8-port	16-port	32-port
	1	1	-	HNVP119-MC1116	HNVP119-MC1132
	2	1	-	HNVP119-MC2116	HNVP119-MC3224
	0	1	-	HNVP119-MC0116	HNVP119-MC0132
	0	2	-	HNVP119-MC0216	HNVP119-MC0232
	0	3	-	HNVP119-MC0316	HNVP119-MC0332

CAT6 KVM Dongle



USB-C dongle



IF-DUSBP
DP - USB dongle



IF-DUSBH
HDMI - USB dongle



IF-DUSBD
DVI - USB dongle



IF-DUSB
VGA - USB dongle

Resolution Support **: 16:10 - max. 1920 x 1200
16:9 - max. 1920 x 1080
4:3 - max. 1600 x 1200

CAT6 Combo KVM	IP	Rem	8-port	16-port	32-port
	1	0	HNVP119-CIP8	HNVP119-CIP16	HNVP119-CIP32
	0	1	HNVP119-CCE8	HNVP119-CCE16	HNVP119-CCE32
	0	0	HNVP119-C8	HNVP119-C16	HNVP119-C32

Matrix DB-15 KVM	IP	Remote	8-port	16-port
	1	1	HNVP119-M118	HNVP119-M1116
	2	1	HNVP119-M218	HNVP119-M2116
	0	1	HNVP119-M018	HNVP119-M0116
	0	2	HNVP119-M028	HNVP119-M0216
	0	3	HNVP119-M038	HNVP119-M0316

DB-15 VGA USB KVM Cable



NB - 6 (6 ft)



NB - 10 (10 ft)





NB - 15 (15 ft)


Resolution Support **: 16:10 - max. 1920 x 1200
16:9 - max. 1920 x 1080
4:3 - max. 1600 x 1200

Combo DB-15 KVM	IP	Remote	8-port	16-port
	1	0	HNVP119-IP8	HNVP119-IP16
	0	1	HNVP119-CE8	HNVP119-CE8
	0	0	HNVP119-S8	HNVP119-S16

IP Console





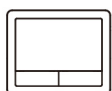
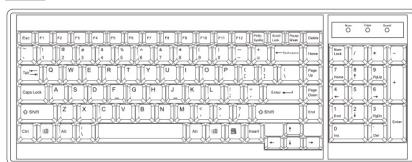


High Performance KVM Access Over IP

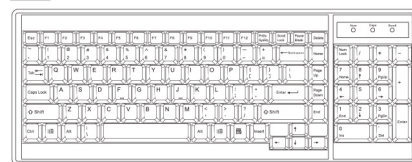
Connector : RJ45
 User management: 1 x active user, 15-user login
 Network protocol: DHCP / BOOTP / DNS
 Security : TLS 1.3, AES, LDAP, Active Directory (AD), HTTP(s)
 Browser : Chrome, Firefox, Edge, etc.
 Resolution : 16:9 - max. 1920x1080 / 16:10 - max. 1920x1200 / 4:3 - max. 1600x1200

STANDARD KEYBOARD

Ge G keyboard with touchpad



Gb G keyboard with trackball



Supporting layouts

America 
U.S.

EMEA      
U.K. Germany France Russia Spain Italy

Asia  
Japan Korea

KEYBOARD OPTIONS

* US layout only

Me Mac keyboard with touchpad



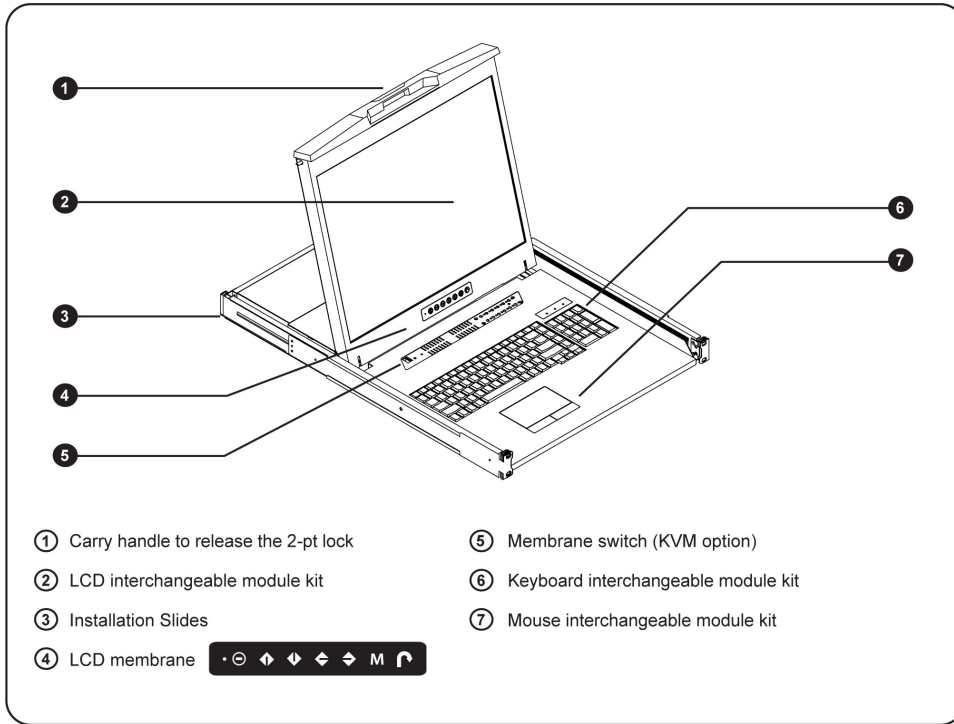
Se S keyboard with touchpad

Mb Mac keyboard with trackball

Sb S keyboard with trackball



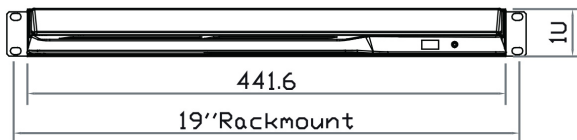
STRUCTURE DIAGRAM



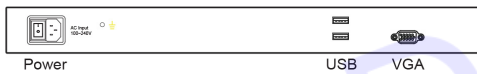
DIMENSION

This is subject to change without Notice. Final Drawings Will be Provided for Approval after Order.

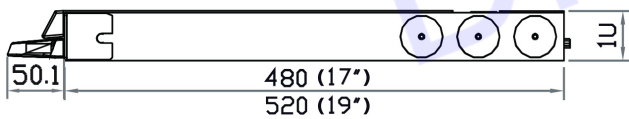
Front View



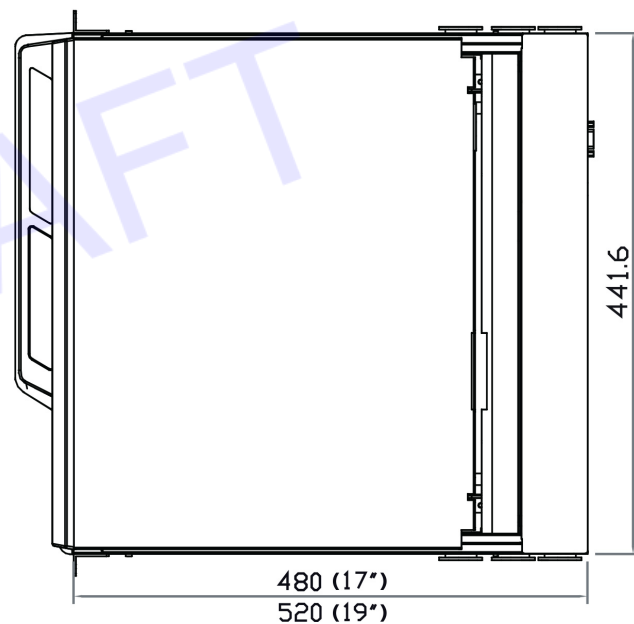
Rear View



Side View



Top View



Drawing No.: HNVP119e -04222022-V1