

1U Rackmount High Brightness 19" LCD Drawer 1280x1024,
1000nits VGA+DVI-D Input with Short Depth Design

Model: HNP119



BENEFITS:

- 1U 19" LCD display drawer
- 1280 x 1024 native resolution / 16.7M colors / 1000 cd/m² brightness
- DVI-D + VGA video input
- Short depth design of 500mm
- One Man installation design
- Enhanced aesthetics with molded front panel and two point lock
- 2-year standard warranty (upgradable up to 5 years)

OPTIONS:

- HDMI 1.4 + Audio input & output (AV4.4)
- S-Video + Composite + Audio input & output (BNC)
- 3G / HD / SD-SDI Broadcast-grade input (SDI)
- DC power : 12V / 24V / 48V / 125V
- 19" Touchscreen : Resistive 1-pt

| Video | |
|-------------|-------------------------|
| Video input | VGA + DVI-D single link |

| Video Option | | |
|--------------|-------------------|---------------------|
| Digital | HDMI | HDMI 1.4 / HDCP 1.4 |
| Analog | S-Video (4-pin) | NTSC & PAL |
| | Composite (BNC) | NTSC & PAL |

| LCD Panel | |
|----------------------------------|------------------------|
| Panel size (diagonal) | 19" |
| Native resolution | 1280 x 1024 |
| Brightness (cd/m ²) | 1000 |
| Contrast ratio (typ.) | 1000 : 1 |
| Colors | 16.7 M |
| Viewing angle (L/R/U/D) | 85/85/80/80 |
| Response time (ms) | 5 |
| Dot pitch (mm) | 0.264 |
| Display area (mm) | 376.32H x 270.33V |
| MTBF (hrs) | 50,000 |
| Surface treatment | Haze 25%, Hard-coating |
| Surface hardness | 3H |
| Backlight type | LED |

| Audio Option | | |
|--------------|--------------------------|-------------------|
| Input | Connector | 3.5mm stereo jack |
| | Impedance / Power level | 30kQ / 750mV |
| Output | Connector | 3.5mm stereo jack |
| | Resistance / Power level | 30kQ/ 2.8V |
| Speaker | Dual stereo | 2W x 2 |

**Specifications subject to change without notice, not responsible for typographical errors.*

| Power | | |
|-------------|---------------------------------------|----------|
| Input | Auto-sensing 100 to 240VAC, 50 / 60Hz | |
| Consumption | Screen on | Max. 39W |
| | Power saving | Max. 2W |
| | Power button off | Max. 1W |

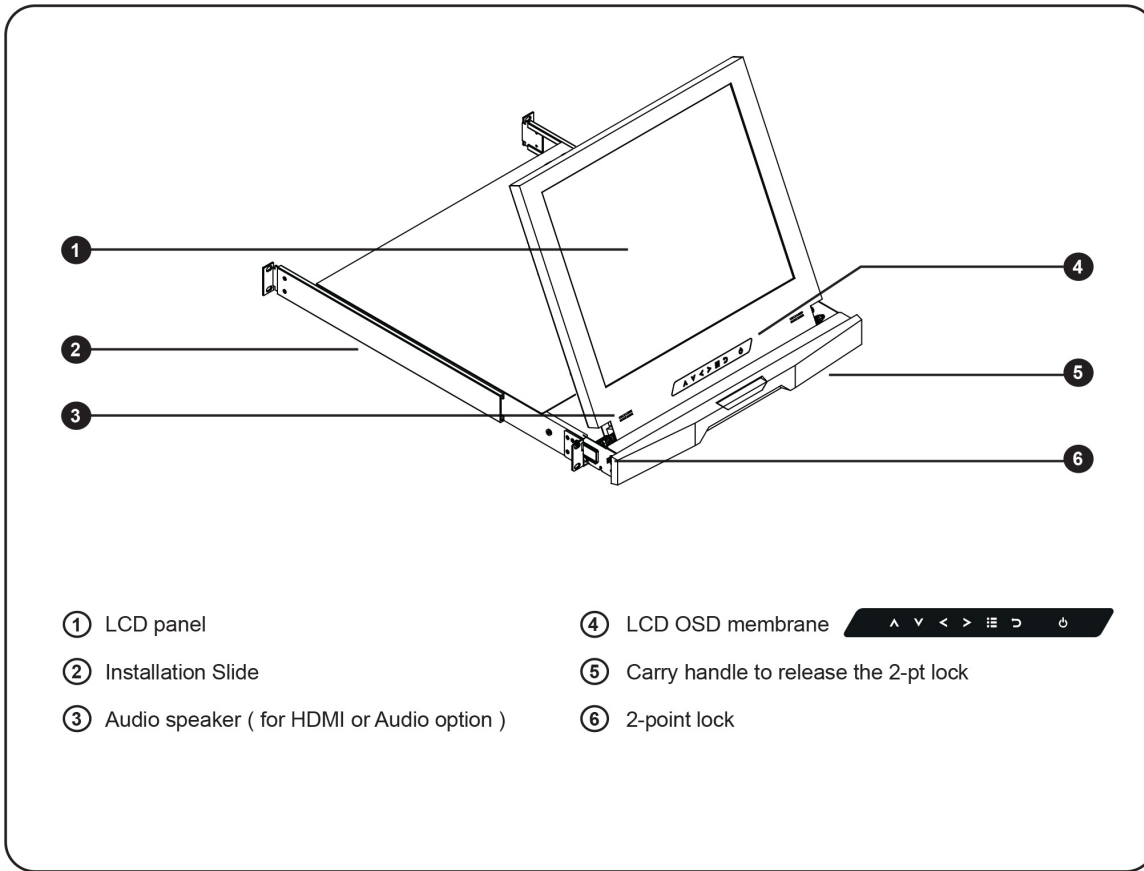
| Environment | |
|------------------------|------------------------------------|
| Operating temp. | 0 to 55°C degree |
| Storage temp. | -20 to 60°C degree |
| Operating humidity | 20~90%, non-condensing |
| Storage humidity | 5 ~90%, non-condensing |
| Operating altitude | 16,000 ft |
| Non-operating altitude | 40,000 ft |
| Shock | 10G acceleration (11ms duration) |
| Vibration | 10~300Hz 0.5G RMS random vibration |

| Compliance | |
|-------------|-----------------|
| EMC | FCC & CE |
| Safety | CE / LVD & UKCA |
| Environment | RoHS2 & REACH |

| Mounting Distance | |
|-------------------|----------------------------------|
| Display drawer | 510 ~ 740 mm 20.1 ~ 29.1 inch |

| Physical | | |
|--------------------------|---------|--|
| Dimensions (W x D x H) | Product | 442 x 500 x 44 mm 17.4 x 19.7 x 1.73 inch |
| | Packing | 588 x 758 x 120 mm 23.1 x 29.8 x 4.7 inch |
| Weight | Net | 12.5 kg / 27.5 lb |
| | Gross | 18.5 kg / 40.7 lb |

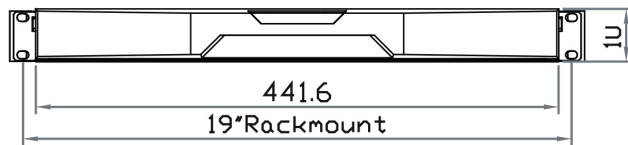
STRUCTURE DIAGRAM



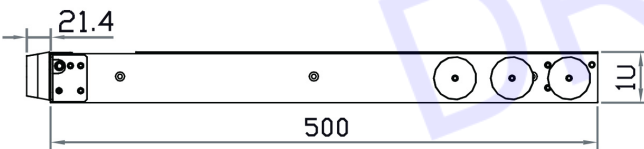
DIMENSION

This is subject to change without Notice. Final Drawings Will be Provided for Approval after Order.

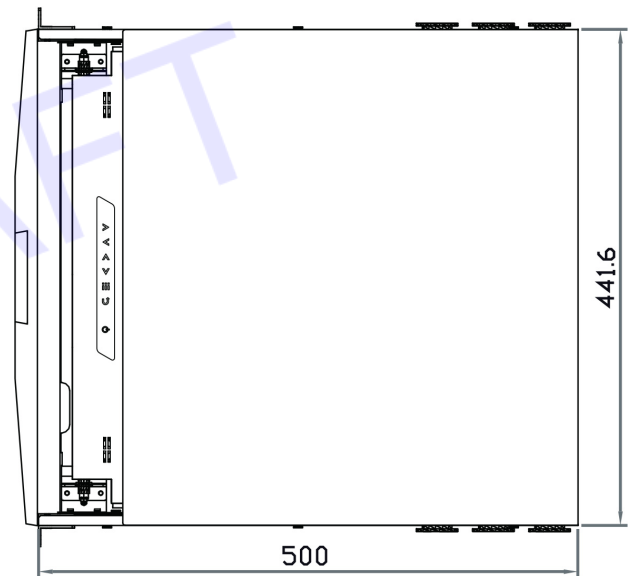
Front View



Side View



Top View



Drawing No.: HNP119-06302022-V1