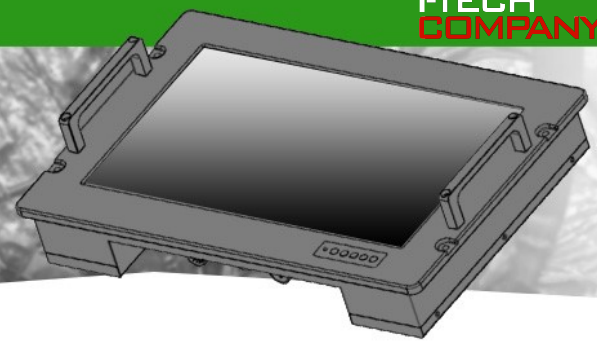


RUGGED MILITARY LCD



Rugged Rackmount 17.3" 400nits 4K Monitor
Rugged Galvanized Steel with Anti-Corrosion Treatment
IP-53 All Around, DC9~36V Wide Input



Model: Nm1W1730K-DC

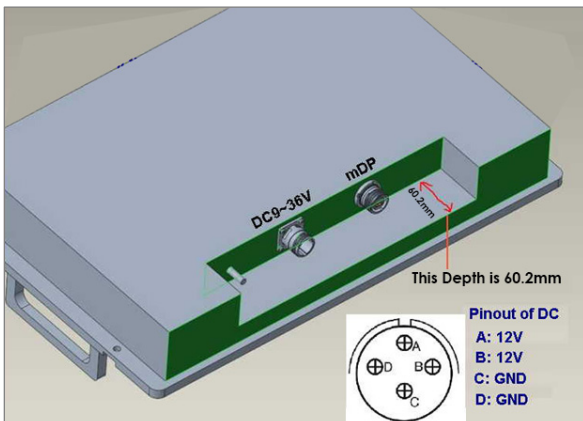
FEATURES:

- Mechanical Chassis : Rugged Galvanized Steel with Anti-Corrosion Treatment
- IP Rating : IP-53 all around
- LCD Size : 17.3"
- Resolution : 3840 x 2160 4K resolution
- Brightness : 400 cd/m2
- Contrast Ratio : 1000 : 1
- Viewing Angle : 85 / 85 / 85 / 85 wide angles
- Display Color : 16.7 M
- I/O Port :
 - DP : 1 x DP with MIL-D-38999 Mil. circular connector etc.
 - HDMI : 1 x HDMI Mil. circular connector, cap, etc.
 - Power : 1 x DC with MIL-D-38999 Mil. circular connector etc.
- Power Input : DC9~36V Wide Input
- Environmental :
 - Operating Temperature : 0 to +50 degree C
 - Shock : MIL-STD-810
 - Vibration : MIL-STD-810

SPECIFICATIONS:

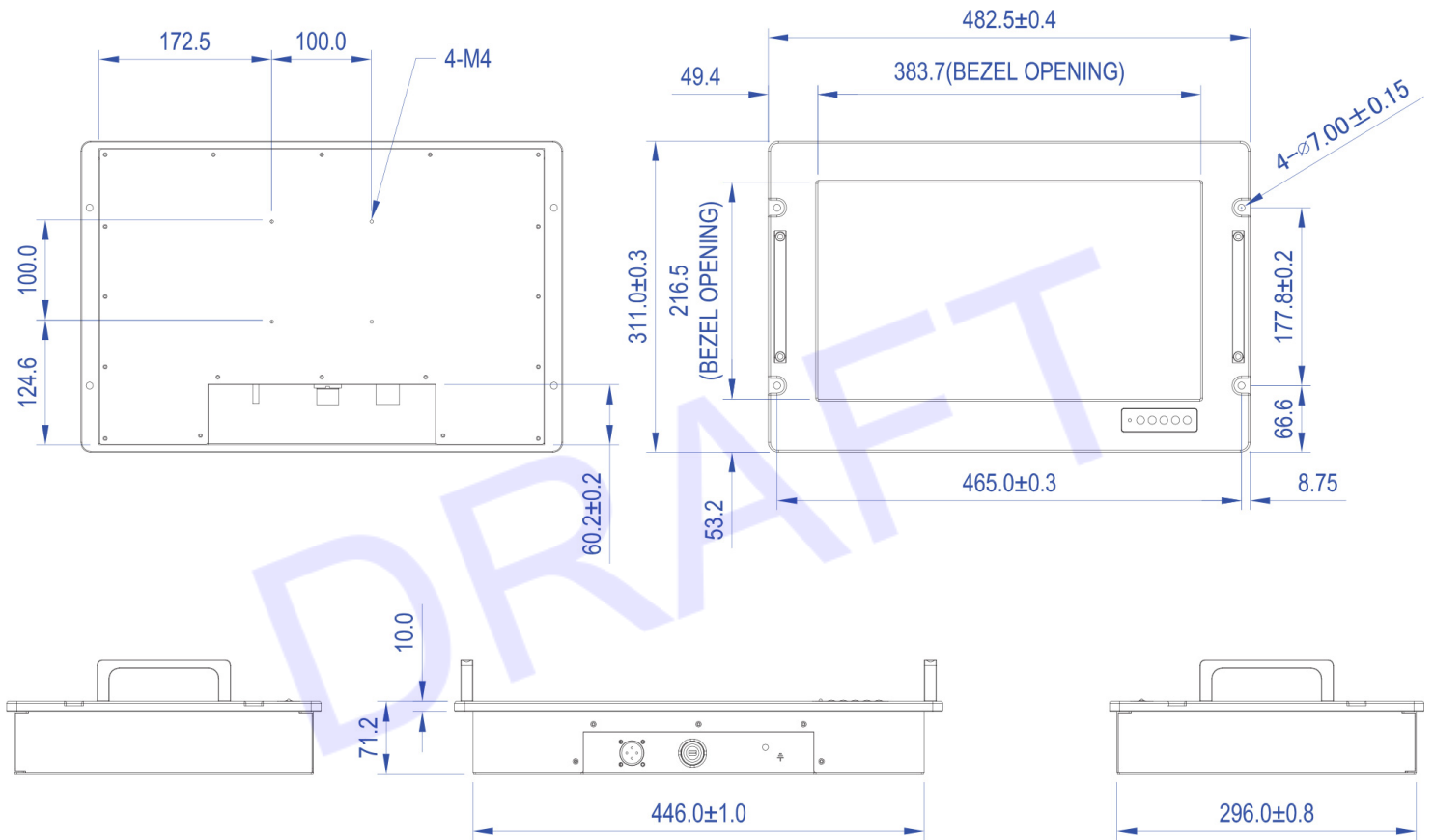
LCD MODULE	LCD Size	17.3" TFT LCD
	Resolution	3840 x 2160 4K
	Aspect Ratio	16 : 9
	Brightness	400 cd/m2 or optional 1000 nits
	Contrast Ratio	1000 : 1
	Viewing Angle	85 / 85 / 85 / 85 wide angle
	Color Pixel	16.7 M colors
PROTECTION GLASS	Protection Glass	Built in protection glass
	Glass Type	Strengthen 3.0 mm vandalism glass
OSD	OSD Control Button	5-Key On-Off, Luminance, Menu, Auto
MECHANICAL	Front Bezel	Military grade aluminum alloy
	Chassis	Galvanized steel with anti-corrosion coating
MOUNTING	Rack-Mount	Standard 19" Rackmount Mount
SIGNAL INPUT	DP	1 x DP with D-38999 Mil. round connector
	HDMI	1 x HDMI with Mil. round connector
	Power	1 x DC with MIL-D-38999 Mil. circular connector etc.
POWER	Power Input	DC9~36V Wide Input
	Power Consumption	15~18 Watts
TEMPERATURE	Operating Temperature	0 to +50 degree C
	Storage Temperature	-20 to +75 degree C
DIMENSION	Exclude Bezel	482.5 (W) x 311 (H) x 61 (D) mm
	Include Bezel	482.5 (W) x 311 (H) x 71 (D) mm

**Specifications subject to change without notice, not responsible for typographical errors.*



MECHANICAL DRAWINGS:

This is subject to change without Notice. Final Drawings Will be Provided for Approval after Order.



Drawing No.: NmILW1730K-DC-05122023-V1

Power Connector: D38999/20WC4PN

HDMI: Not D38999 series, but MIL circular connector mentioned on the datasheet

Display Port: D38999/20WC35PN

POWER CONNECTOR: D38999/20ZC4PN (4 pin)
DC Power

PIN	Signal
A	(+) 28V DC
B	(-) 28V DC
C	Ground
D	NC

