

Portable 17.3" 1920x1080 Full HD, 1000nits Sunlight Readable LCD, 8th Gen. i7 Panel PC with two 10" Displays and Keyboard, 16GB RAM, 2TB M.2 SSD, 1 x DVD, 4 x USB3.0, 2 x LAN, VGA, DP, HDMI, 1 x RS232/422/485, DC9~32V Inputs



Model: NmilW1730-i7-KB-A

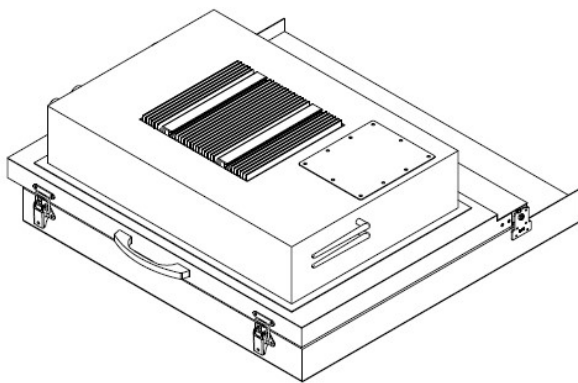
SPECIFICATIONS:

Main Screen	LCD Size	17.3" Diagonal Active matrix TFT
	Resolution	1920 x 1080 Full HD
	Brightness	1000 cd/m2 high bright for day light
	Contrast Ratio	800 : 1
	Display Color	16.7 M
	Viewing Angles	75 / 75 / 60 / 60
	Backlight	LED
Sub-Screen	LCD Size	Dual (2) 10" TFT LCD display
	Resolution	1920 x 1200 ultra high resolution
	Brightness	1000 cd/m2 ultra bright for day light
	Contrast Ratio	900 : 1
	Display Color	16.7 M
	Viewing Angle	80 / 80 / 80 / 80
	Backlight	LED
Protective Glass	Protective Glass	Yes, built-in protective glass for all LCDs
	Strengthen glass	Yes, all strengthen glass
Mechanical	Enclosure Material	Light weight aluminum alloy
	Color	Black or other color
Portable	Portable	Yes, hand carry portable type
	Handle	Yes, rugged handle for easy carrying
Fanless Design	Fanless Design	Yes, 100% fully fanless design
	Cooling Method	Conduction cooling by large heatsink
Connector Type	Water-Proof Type	All water-proof Mil. connectors
	Standard Type	Non water-proof standard connectors
Keyboard & Touch-Pad	Keyboard	Yes, built-in high-end Ind. keyboard
	Water-Resistant	Yes, water-proof keyboard
	Key type	High-end Silicon keys
	Interface for Keyboard	USB
	Touch Pad	Yes, water-proof touch pad
Processor	Interface for Touch Pad	USB
	Processor	Intel 8 th Gen. i7-8565u fanless processor
	Clock Speed	4-Core, 8-Thread, 1.8~4.6GHz
	Cache Memory	8MB
	Graphics Engine	Intel UHD 620

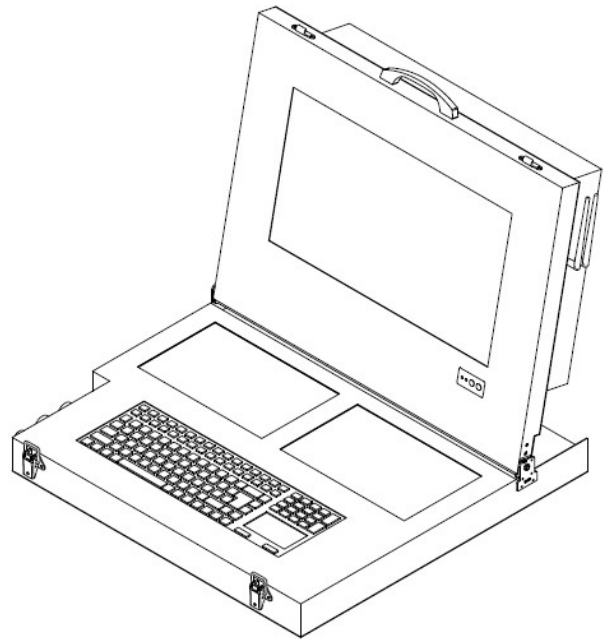
**Specifications subject to change without notice, not responsible for typographical errors.*

Graphics & Video	Graphics	UHD 620
	DirectX	Support DirectX 12
	Open GL	Support Open GL 4.5
	Camera Channel	Up to 4 channels of Camera
	Video Recorder Encoder	Yes, hardware r recorder and encoder
	FPS Speed	120 FPS per channel
RAM	RAM	16GB DDR4 2666/2400MHz RAM
	RAM Type	SO-DIMM short type
	Expansion	Expandable up to 32GB Max.
Storage	SSD	2 x 2.5" 1TB SSD
	RAID Support	RAID 0, 1, 5, 10
	Configuration	RAID 0
I/O Port	LAN	1 x Gb Ethernet with Mil. connector
	USB 3.0	4 x USB3.0 with water-proof connectors
	USB 2.0	3 x USB2.0 with water-proof connectors for keyboard and touch-pad
	HDMI	2 x HDMI with water-proof connectors for two 10" LCD screens
	Serial (COM) port	1 x RS232/422/485 + 1 x RS232 with water-proof connectors
	Power	2 x water-proof power connectors
Power	Power Input	AC90~264V
	Power Consumption	Around 70~80W
Dimension	Close	542 (W) x 525 (D) x 181 (H) mm

**Specifications subject to change without notice, not responsible for typographical errors.*



Close Up View



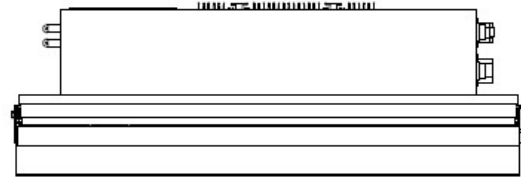
Open Up View

MECHANICAL DRAWINGS:

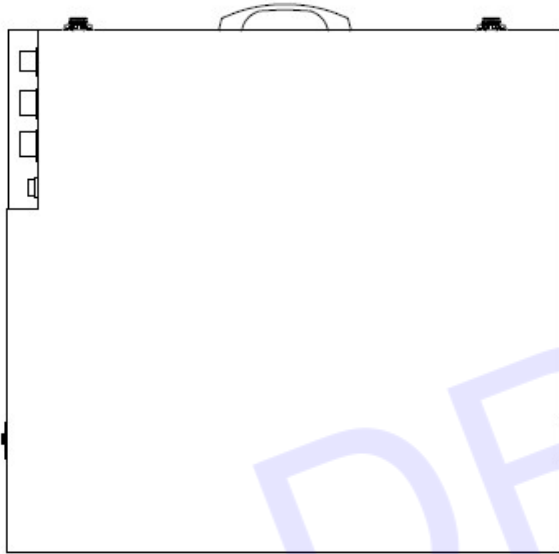
This is subject to change without Notice. Final Drawings Will be Provided for Approval after Order.



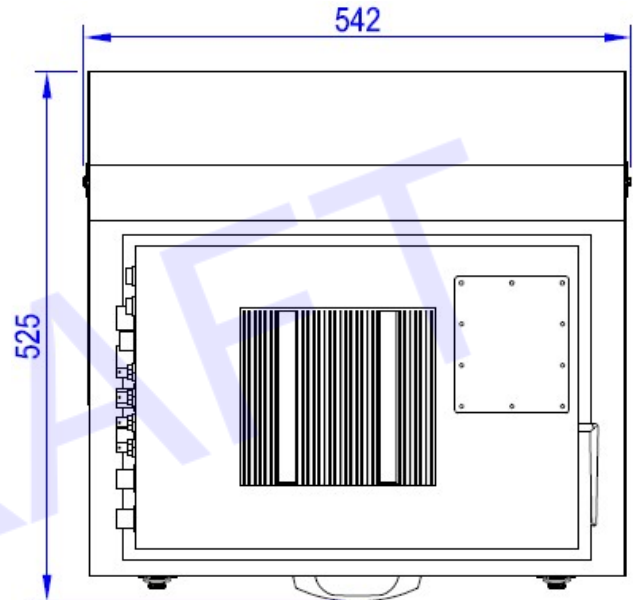
Front View (Close)



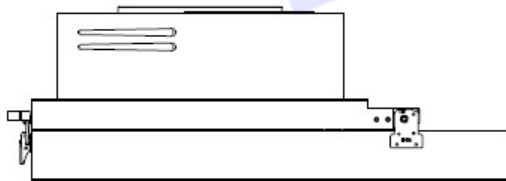
Rear View (Close)



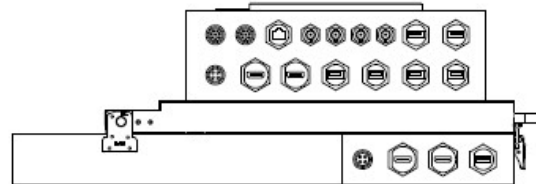
Top View (Close)



Bottom View (Close)



Side View 1



Side View 2

