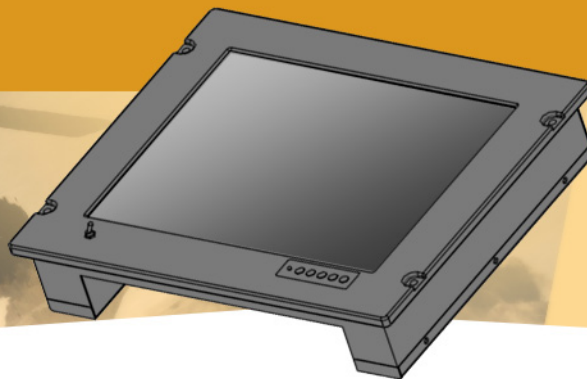


RUGGED MILITARY LCD

15" Rugged NVIS Monitor, 1024 x 768, Night Vision 0.343 cd/m2, Day vision 1000 cd/m2, 1 x HDMI with Mil. connector, 1 x DC with Mil. connector, DC9~36V input or Optional AC90~264V with Mil. connector

Model: Nmil1500-NVIS-V1



FEATURES

- Front Bezel : Rugged Mil. grade aluminum bezel
- LCD Size : 15" LCD Grade : Mil. grade Resolution : 1024x768
- Night Vision : 0.343 cd/m2 through military goggle
- Day Vision : 1000 cd/m2 Display Color : 16.7M
- Viewing Angle : 89/89/89/89
- I/O Port:
HDMI : 1 x HDMI with Mil. connector.
Power : 1 x DC or AC power with D-38999 Mil. connector
- Power Input : DC9~36V or Optional AC90~264V

SPECIFICATIONS

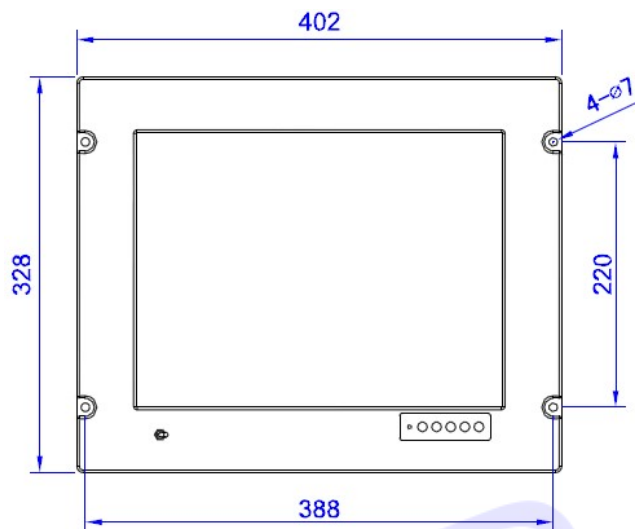
LCD	LCD Size	12.1" Active Matrix TFT
	Resolution	1024 x 768
	Aspect Ratio	4 : 3
	Night Vision	0.343 cd/m2 through military goggle
	Day Vision	1000 cd/m2
	Contrast Ratio	1000 : 1
	View Angle	85 / 85 / 85 / 85 wide viewing angles
	Response Time	20 ms
	Backlight Unit	LED backlight
	Display Color	8 bits, 16.7 M
	Operating Temp.	0 to +50 deg. C
	Storage Temperature	-20 to +70 deg. C
	Protect Glass	Protection Glass
Thickness		3.0 mm thick
Strengthen Glass		Yes, strengthen glass
EMI Mesh	EMI Micro Mesh	Yes, built-in
OSD Button	OSD Buttons	Menu, Up, Down, Auto, On-Off switch
Night Vision	Night Vision	0.343 cd/m2 through military goggle
	Day Vision	1000 cd/m2
	Toggle Switch	Through toggle switch
	MIL-STD-3009	MIL-STD-3009 Compliant
Mount	Front Mount	Yes, support front mount
	VESA Mount	Yes, support VESA-100 mount
Chassis	Chassis	Rugged galvanized steel chassis
Signal Input	VGA	1 x VGA with D-38999 Mil. connector
	DVI	1 x DVI with D-38999 Mil. connector
	DC Input	1 x DC9~36V with Mil. connector
	AC Input	Optional AC90~264V
Power Input	DC Input	DC9~36V
	AC Power Input	Optional AC 90~264V
Dimension	Exclude Bezel	402 (W) x 328 (H) x 77 (D)mm
	Include Bezel	402 (W) x 328 (H) x 67 (D)mm
Environmental	Vibration	MIL-STD-810G Compliant
	Shock	MIL-STD-810G Compliant
	Fungus	MIL-STD-810G Compliant
EMI/EMC	MIL-STD-461	MIL-STD-461E compliant
	CE, FCC	CE, FCC Compliant

*Specifications subject to change without notice, not responsible for typographical errors.

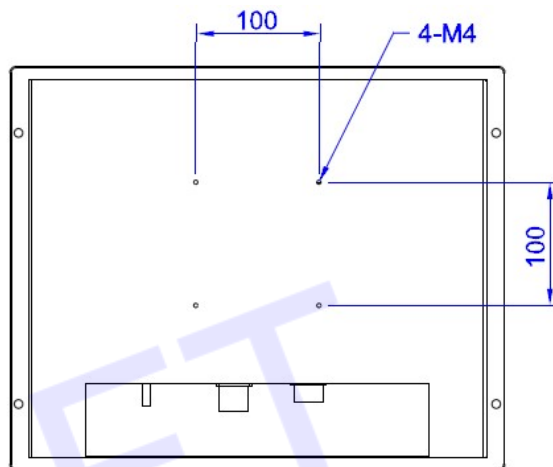
Modified Date: 09-08-2022

MECHANICAL DRAWINGS

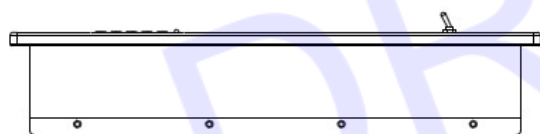
This is subject to change without Notice. Final Drawings Will be Provided for Approval after Order.



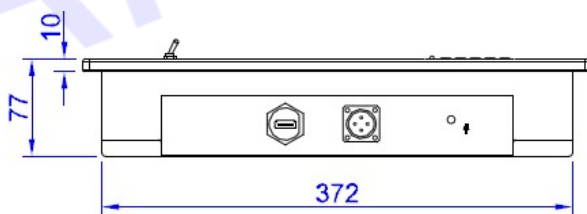
Front View



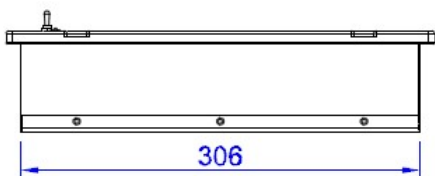
Rear View



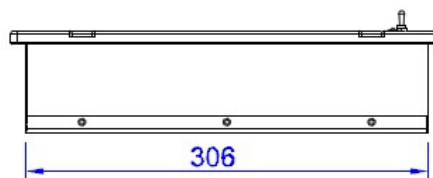
Top View



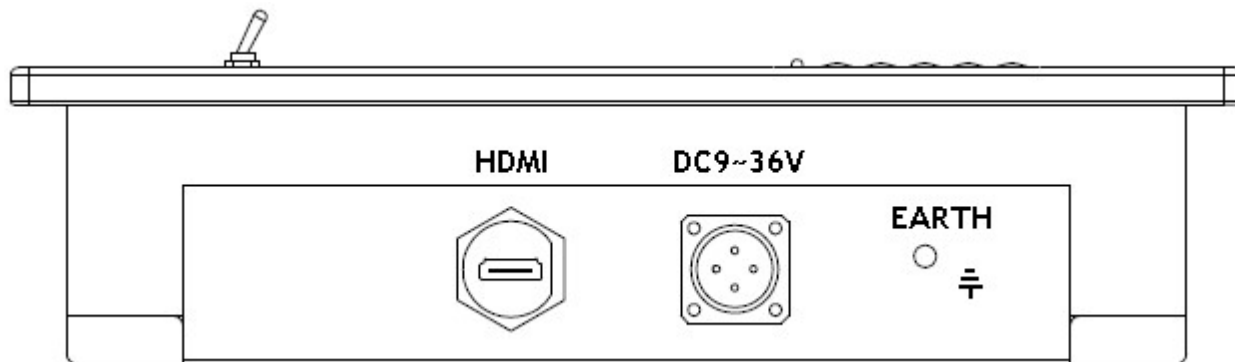
Bottom View



Side View 1



Side View 2



I/O Ports

Drawing No.: Nm1500-NVIS-V1-09082022-V1