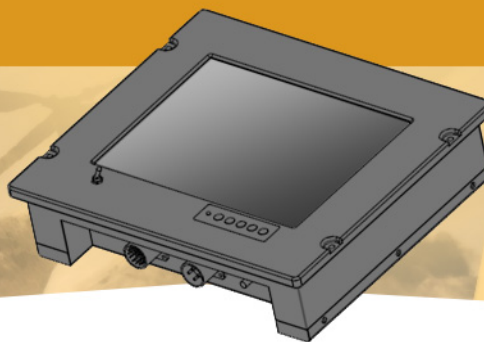


# RUGGED MILITARY LCD

Rugged 10.4" Night Vision Display, Night Vision 0.343 cd/m2,  
Day Vision 1000 cd/m2, 1x DVI, 1x DC9~36V  
All MIL-D-38999 Mil. Connectors  
DC9~36V Power Input



**Model: Nmil1040-NVIS-AK1**

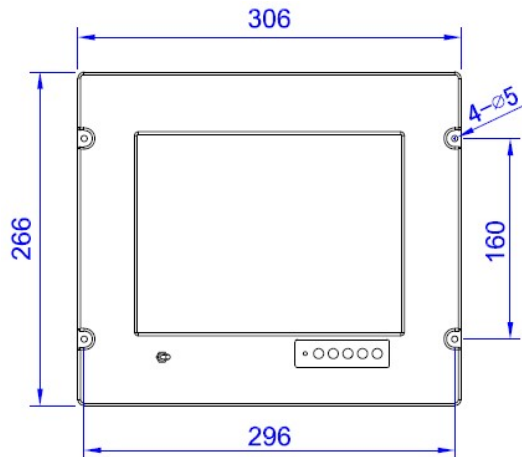
## SPECIFICATIONS

<b>Mechanical</b>	Front Bezel	Rugged Mil. grade aluminum bezel
	Chassis	Rugged galvanized steel chassis
	Treatment	Coated with anti-corrosion painting
	Color	Black
<b>Mount</b>	Front Mount	Front Mount
	VESA Mount	Support VESA-75 mount
<b>LCD</b>	LCD Size	10.4" TFT LCD
	LCD Grade	Mil. grade -30 to +85 C operating temp.
	Resolution	800 x 600
	Brightness	0.343 cd/m2 for night, 1000 cd/m2 for day
	Contrast Ratio	700 : 1
	Display Color	16.2 Million colors
	View Angle	80 / 80 / 60 / 80°
<b>Night Vision</b>	MIL-STD-3009	Yes, compliant to MIL-STD-3009
	Night Vision	0.343 cd/m2 through military goggle
	Day Vision	1000 cd/m2 maximum
<b>Protective Glass</b>	Protective Glass	Yes, built in strengthen protective glass
	Glass Thickness	3.0 mm
	Strengthen	Yes
<b>I/O Port</b>	DVI	1 x DVI with MIL-D-38999 Mil. connector
	DC	1 x DC with MIL-D-38999 Mil. connector
<b>Power Supply</b>	Power Supply	Military grade power supply
	Power Input	DC9~36V wide input
	Polarity Reverse	Yes, fully protected, auto recovery
	Lightning	Fully protected
<b>Power Consumption</b>	When Heater Off	Less than 20 Watts
<b>Dimensions</b>	Exclude Bezel	306 (W) x 266 (H) x 66 (D) mm
	Include Bezel	306 (W) x 266 (H) x 76 (D) mm
<b>Environmental</b>	Operating Temperature	-20 to +70° C
	Storage Temperature	-40 to +85 degree C
	Humidity	5~95% R.H. at +40° C, non-condensation

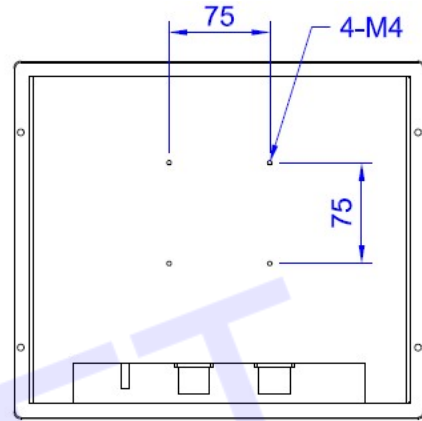
*\*Specifications subject to change without notice, not responsible for typographical errors.*

# MECHANICAL DRAWINGS

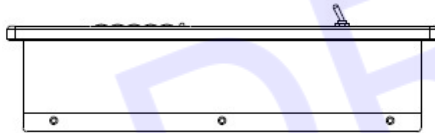
This is subject to change without Notice. Final Drawings Will be Provided for Approval after Order.



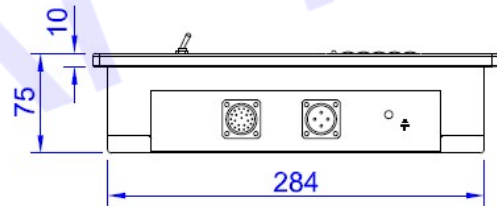
Front View



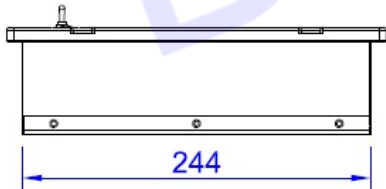
Rear View



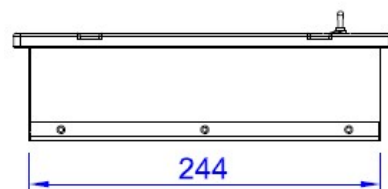
Top View



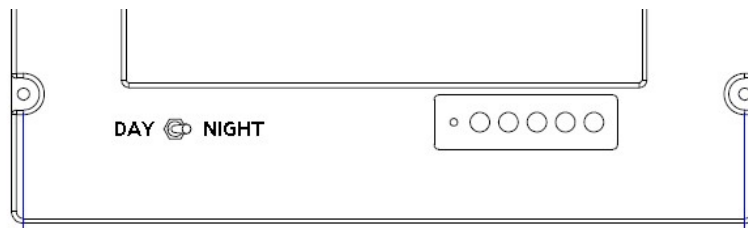
Bottom View



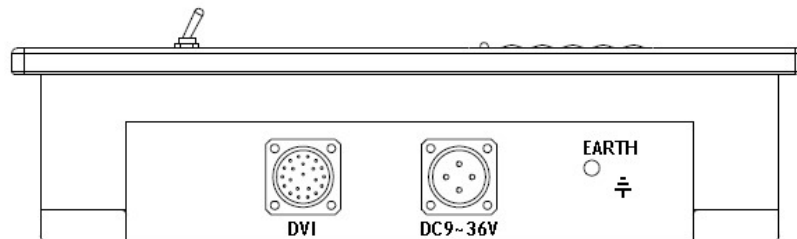
Side View 1



Side View2



Front View



I/O Ports

Drawing No.: Nmil1040-NVIS-AK1-07192022-V1