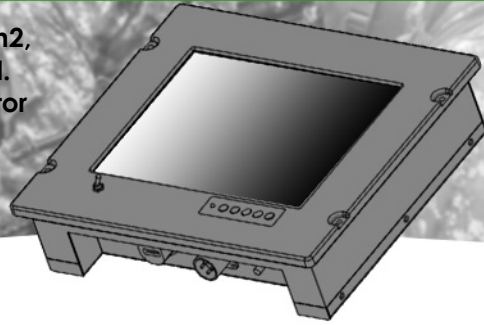


# RUGGED MILITARY TOUCH NVIS MONITOR



10.4" Rugged Touch NVIS Monitor, 800 x 600, Night Vision 0.343 cd/m<sup>2</sup>, Day vision 1000 cd/m<sup>2</sup>, 1 x HDMI with Mil. connector, 1 x DC with Mil. connector, DC9~36V input or Optional AC90~264V with Mil. connector

Model: **Nmil1040-N-TR-V2**



## SPECIFICATIONS:

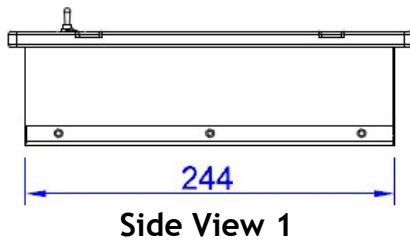
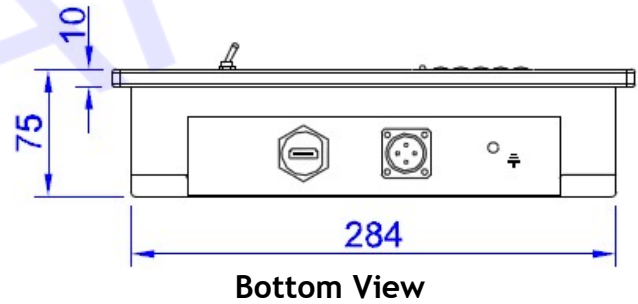
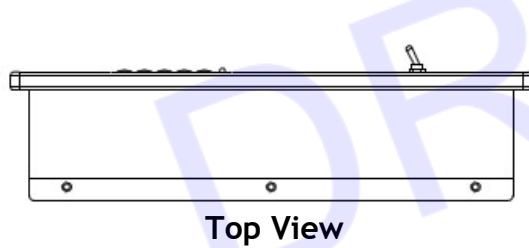
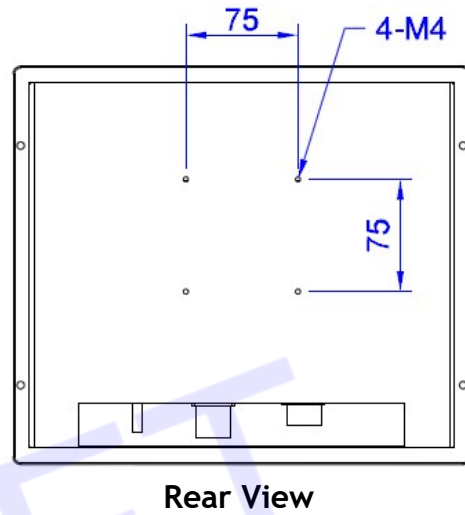
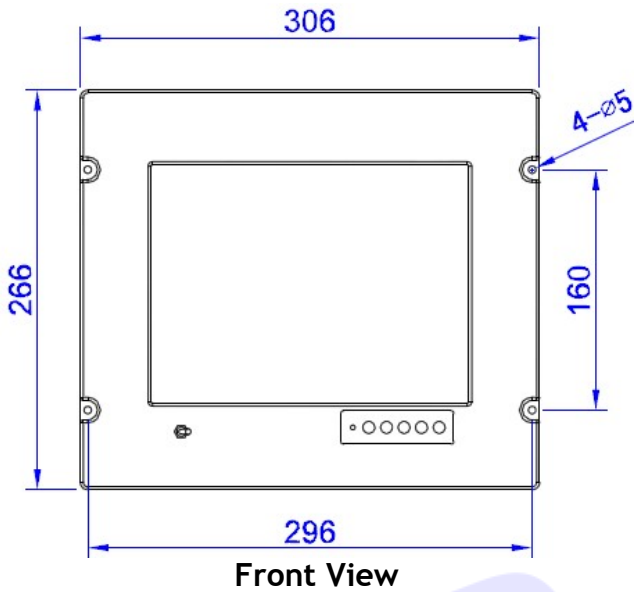
<b>LCD</b>	LCD Size	10.4" Active Matrix TFT
	Resolution	800 x 600
	Aspect Ratio	4 : 3
	Night Vision	0.343 cd/m <sup>2</sup> through military goggle
	Day Vision	1000 cd/m <sup>2</sup>
	Contrast Ratio	1000 : 1
	View Angle	80 / 80 / 60 / 80 viewing angles
	Response Time	20 ms
	Backlight Unit	LED backlight
	Display Color	8 bits, 16.7 M
	Operating Temp.	0 to +50 deg. C
	Storage Temperature	-30 to +85 deg. C
	<b>Touch-screen</b>	Touch Screen
Touch Technology		5-Wire Resistive
Option		Optional P Cap Touch (size is little bit larger)
Input Device		Finger, Gloved, Stylus (Resistive only)
<b>EMI Mesh</b>	EMI Micro Mesh	Yes, built-in
<b>OSD Button</b>	OSD Buttons	Menu, Up, Down, Auto, On-Off switch
<b>Night Vision</b>	Night Vision	0.343 cd/m <sup>2</sup> through military goggle
	Day Vision	1000 cd/m <sup>2</sup>
	Toggle Switch	Through toggle switch
	MIL-STD-3009	MIL-STD-3009 Compliant
<b>Mount</b>	Front Mount	Yes, support front mount
	VESA Mount	Yes, support VESA-100 mount
<b>Chassis</b>	Chassis	Rugged galvanized steel chassis
<b>Signal Input</b>	HDMI	1 x HDMI with Mil. connector
	DC Input	1 x DC9~36V with Mil. connector
	AC Input	Optional AC90~264V
<b>Power Input</b>	DC Input	DC9~36V
	AC Power Input	Optional AC 90~264V
<b>Dimension</b>	Exclude Bezel	306 (W) x 266 (H) x 65 (D)mm
	Include Bezel	306 (W) x 266 (H) x 75 (D)mm
<b>Environmental</b>	Vibration	MIL-STD-810G Compliant
	Shock	MIL-STD-810G Compliant
	Fungus	MIL-STD-810G Compliant
<b>EMI/EMC</b>	MIL-STD-461	MIL-STD-461E compliant
	CE, FCC	CE, FCC Compliant

\*Specifications subject to change without notice, not responsible for typographical errors.

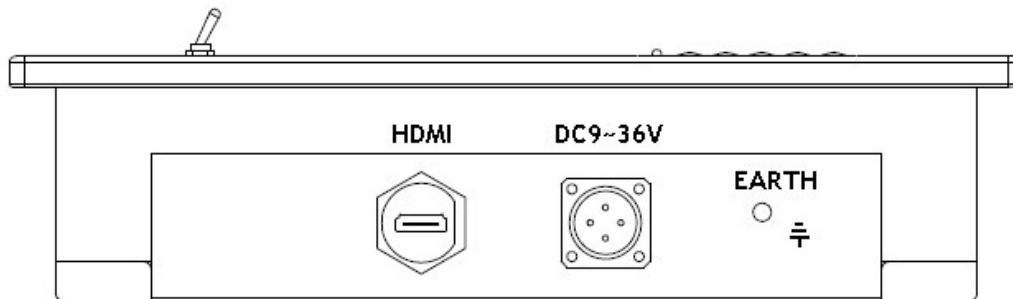


# MECHANICAL DRAWINGS:

This is subject to change without Notice. Final Drawings Will be Provided for Approval after Order.



Side View 2



Drawing No.: Nm11040-N-TR-V2-09262022-V1