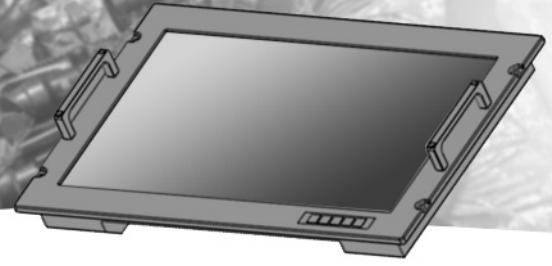


**23.8" 4K Rugged Display, 3840x2160, 500 nits, Aluminum Bezel**  
**1 x RS232, 1 x VGA, 1 x DVI, 2 x HDMI, 1x DP, 2 x Audio, 1 x USB,**  
**AC90~264V or Optional DC9~36V Power Input**  
**Design to meet MIL-STD-810G**



**Model: Nmil-W2400K**

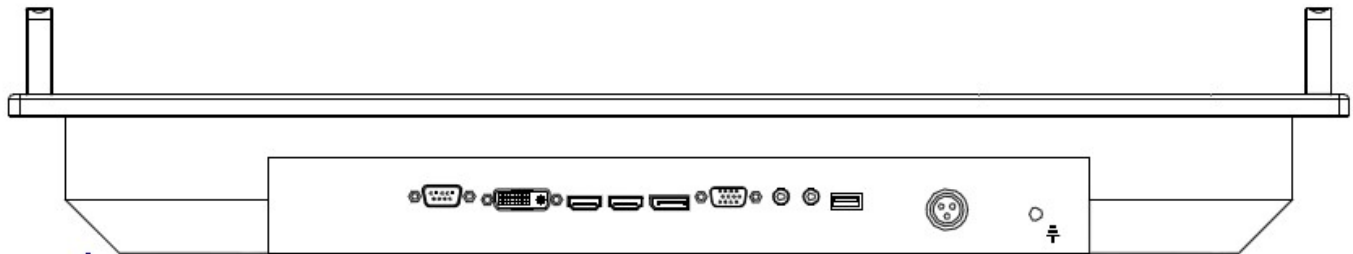
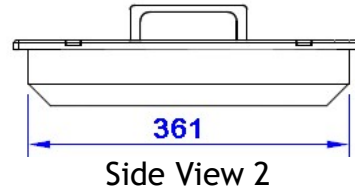
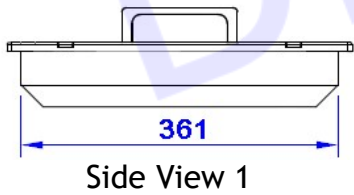
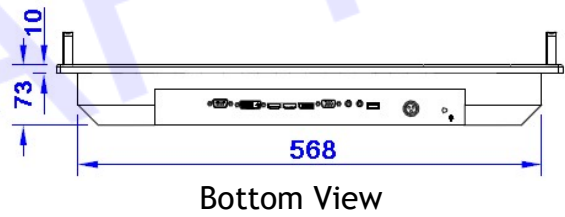
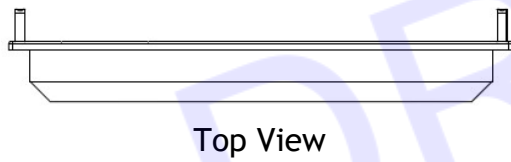
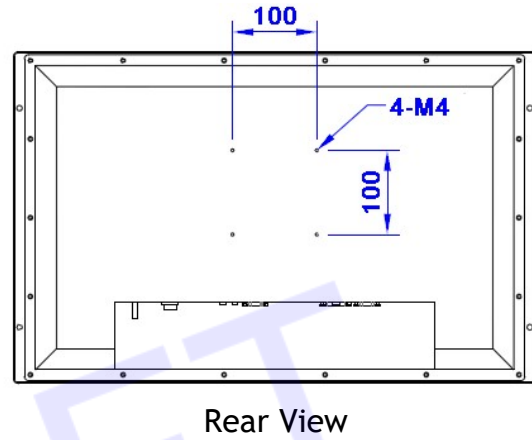
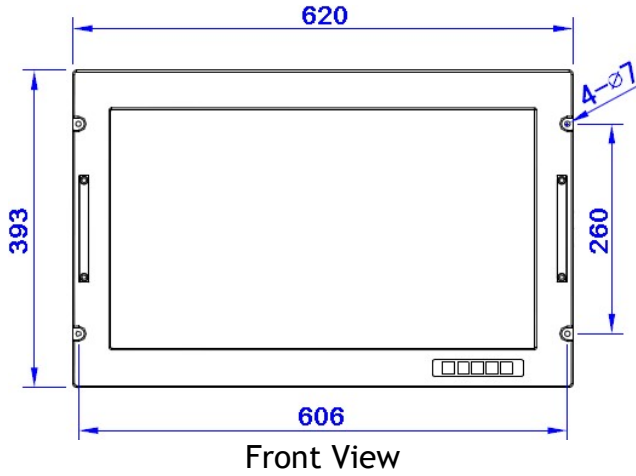
## SPECIFICATIONS:

LCD	Display Size	23.8" TFT LCD diagonal
	Resolution	3840 x 2160 4K
	Brightness	500 cd/m2
	Contrast Ratio	1000 : 1 Ultra high ratio
	Aspect Ratio	16 : 9
	LED Backlight	LED backlighting
	Viewing Angle	178 (H) / 178 (V) degree
	Color Depth	1.07 Billion
Mechanical	Bezel	Mil. grade aluminum alloy, 64430
	Enclosure	Ruggedized steel with anti-corrosion coating
	Weight	Around 14 Kgs
	Dimension	
	Color	Black
Mounting	Front Mount	Yes, support front mount
	VESA Mount	Yes, support VESA-100 wall mount
I/O Port	DVI	1 x DVI
	HDMI	2 x HDMI
	DP	1 x DP
	VGA	1 x VGA
	Audio	2 x Audio (Amplifier support 2 x 15W speaker)
	RS232	1 x RS232 for remote control
	USB	1 x USB for software update
	Power	1 x AC with Circular Connector
Power	Power Input	AC90~264V, 47~63Hz
	Power Consumption	41 Watts
Dimension	Without Bezel	620 (W) x 393 (H) x 63 (D) mm
	With Bezel	620 (W) x 393 (H) x 73 (D) mm
Environmental	Operating Temperature	0° to +50°C
	Storage Temperature	-30° to +75°C
	Humidity	95% at 40°C, non-condensing
EMI/EMC	MIL-STD-461	Design to meet MIL-STD-461E Navy
Split Screen Function		
PIP	Support Picture-In-Picture function (1 large, 1 small)	
PBP	Support Picture-By-Picture function ( 2 equal size)	

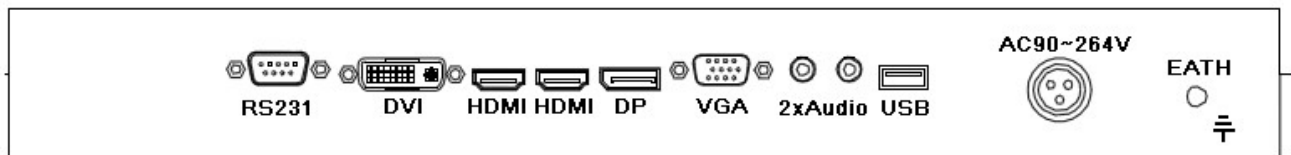
*\*Specifications subject to change without notice, not responsible for typographical errors.*

# MECHANICAL DRAWINGS:

This is subject to change without Notice. Final Drawings Will be Provided for Approval after Order.



I/O Ports



I/O Port Details

Drawing No.: Nmil-W2400K-08262022-V1