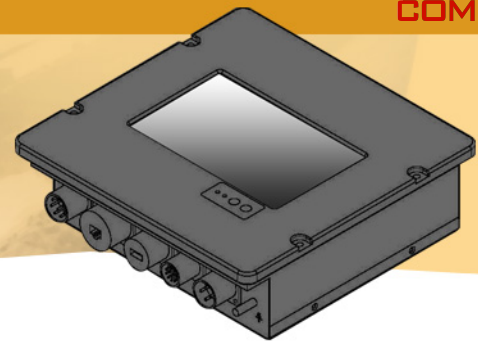


7" Rugged Military Grade Panel PC 1280x800  
 Intel J1900 with IP65 Water Tight Enclosure, 4G RAM,  
 M.2 64GB SSD, 1 x VGA, 1 x LAN, 1 x USB 3.0, 1 x  
 RS232, DC9~36V Input



**Model: Nmil-W0700XHB-J-X**

## SPECIFICATIONS:

LCD Module	
LCD Size	7" Diagonal Active matrix TFT LCD
Resolution	1280 x 800
Contrast Ratio	800 : 1
Brightness	Enhance up to 800 cd/m2 (native is 400 cd/m2)
Display Color	16.7 M
Viewing Angle	88 / 88 / 88 / 88 ultra wide
Touch	
Touch Type	Resistive Touch
Touch Point	Single
Mainboard & Processor	
Mainboard	Military grade
CPU	Intel Celeron J1900 fanless Quad Core 2.0 ~ 2.42GHz processor
System Memory	
RAM	4GB (Max. 8GB)
Storage Disk	
SSD/HDD	M.2 64GB SSD
I/O Port	
LAN	1 x 10/100/1000 Base-T Ethernet, with military circular connector & mating connector (Pin assignments is to be provided when order is confirmed.)
USB	1 x USB3.0, with military circular connector & mating connector (Pin assignments is to be provided when order is confirmed.)
COM	1 x Serial Port (RS232), with military circular connector & mating connector (Pin assignments is to be provided when order is confirmed.)
VGA	1 x VGA, with military circular connector & mating connector (Pin assignments is to be provided when order is confirmed.)
DVI	N/A
HDMI	N/A
DP	N/A
Audio	N/A
Power	1 x DC, with military circular connector & mating connector (Pin assignments is to be provided when order is confirmed.)

*\*Specifications subject to change without notice, not responsible for typographical errors.*

Power Supply	
DC Input	DC9 ~32V Input
Power Consumption	Around 110W
Mechanical	
Front Bezel	Aluminum alloy rugged front bezel
Enclosure	Rugged galvanized steel with anti-corrosion treatment
Design	Fanless Design
Mounting	Support Front Mount
Environmental	
Operating Temperature	0 to +50°C
Storage Temperature	-20 to +60°C
Shock	Designed to meet MIL-STD-810F Shock Resistant
Vibration	Designed to meet MIL-STD-810F Vibration Resistant

## MECHANICAL DRAWINGS:

*This is subject to change without Notice. Final Drawings Will be Provided for Approval after Order.*

