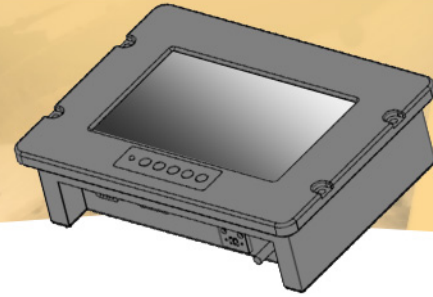


7" 1024x600, 650nits Rugged Military Grade Aluminum Front Bezel Display, Treated with EMI Mesh, Built in Strengthen Protective glass, Design to Meet MIL-STD-461 and MIL-STD-810



Model: Nmil-PMW700

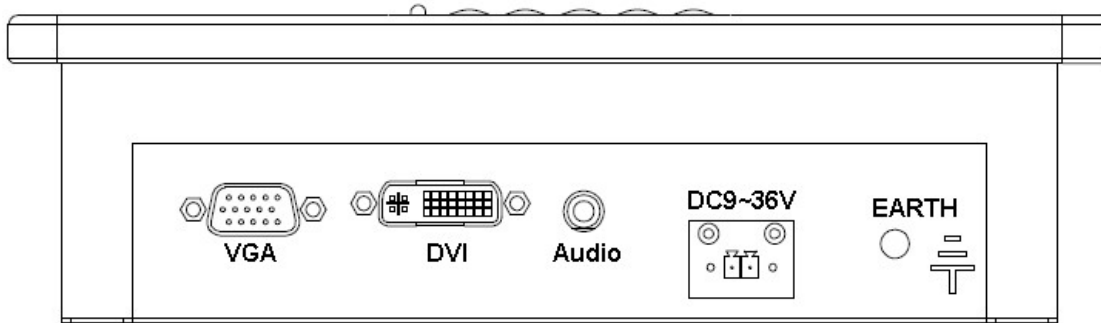
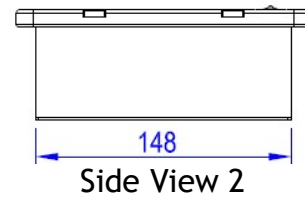
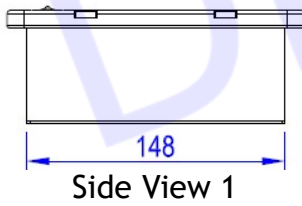
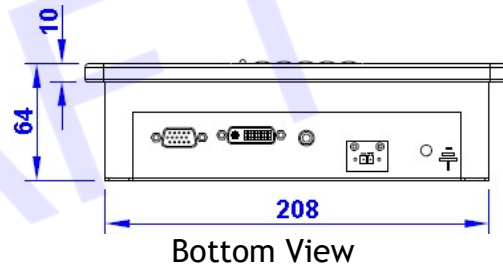
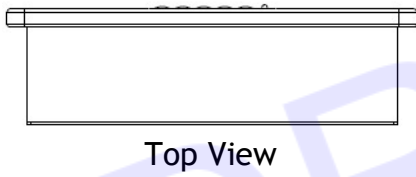
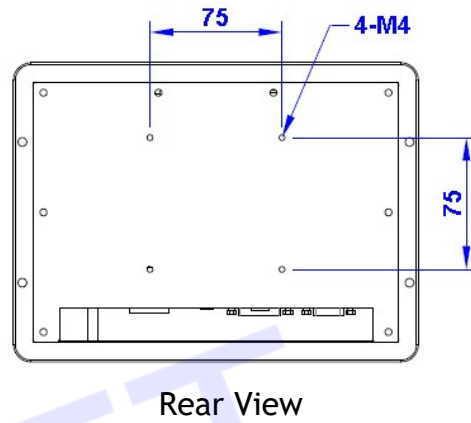
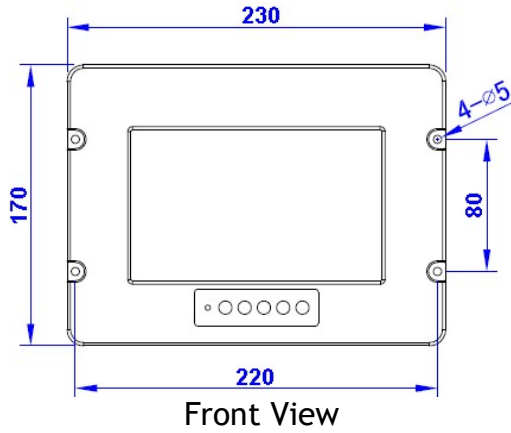
SPECIFICATIONS:

LCD	LCD Size	7"
	Operating Temperature	-20 to +70 deg. C native
	Resolution	1024 x 600
	Aspect Ratio	16 : 9
	Brightness	650 cd/m2 sunlight readability
	Contrast Ratio	800 : 1
	Display Color	16.7M
Protected Glass	Glass	Built in strengthen protective glass
	Glass Type	Strengthen type glass
EMI Mesh	EMI Mesh	Built in EMI shielded mesh
Mechanical	Front Bezel	Rugged military grade aluminum alloy
	Chassis	Rugged galvanized steel coated with anti-corrosion paint
	Fanless Design	Yes, 100% fanless design
Mounting	Front Mount	Support front mount
	VESA Mount	Support VESA-75 wall mount
I/O Port	VGA	1 x VGA with standard Connector
	DVI	1 x DVI with standard connector
	Audio	1 x Audio with standard 3.5mm jack
	DC	1 x DC or Optional AC power connector
Power Supply	Power Input	DC9~36V wide input Option 1 : built in AC90~264V input Option 2 : External AC adapter
	Power Supply Grade	Military grade power supply support MIL-STD-1275
	Polarity Reverse	Polarity Reverse fully protected
	Lightening	Lightening protected
	Power Consumption	Around 15~18 Watts in total
Dimension	Exclude Front Bezel	230 (W) x 170 (H) x 54 (D) mm
	Include Front Bezel	230 (W) x 170 (H) x 64 (D) mm
Environmental	Operating Temperature	0 ~ +50°C
	Storage Temperature	-30 ~ +85°C
	Humidity	5~95% Relative Humidity at 35°C non-condensing
	Fungus	Compliant to MIL-STD-810
	Shock	Compliant to MIL-STD-810
EMI/EMC	Vibration	Compliant to MIL-STD-810
	CE	CE compliant
MIL-STD-1275	FCC	FCC compliant
	MIL-STD-1275	MIL-STD-1275 compliant

**Specifications subject to change without notice, not responsible for typographical errors.*

MECHANICAL DRAWINGS:

This is subject to change without Notice. Final Drawings Will be Provided for Approval after Order.



Drawing No.: Nmil-1040V2-06212023-V1