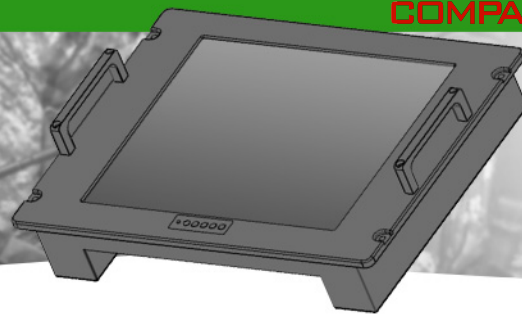


RUGGED RACK MILITARY MOUNTABLE DISPLAY



17"1280x1024, 800~1000nits Rugged Rack Mountable Display, Mil. Grade Aluminum Alloy, Heavy-Duty Galvanized Steel with Optical Bonded for Outdoor Application



Model: Nmil-NP1700HB

SPECIFICATIONS:

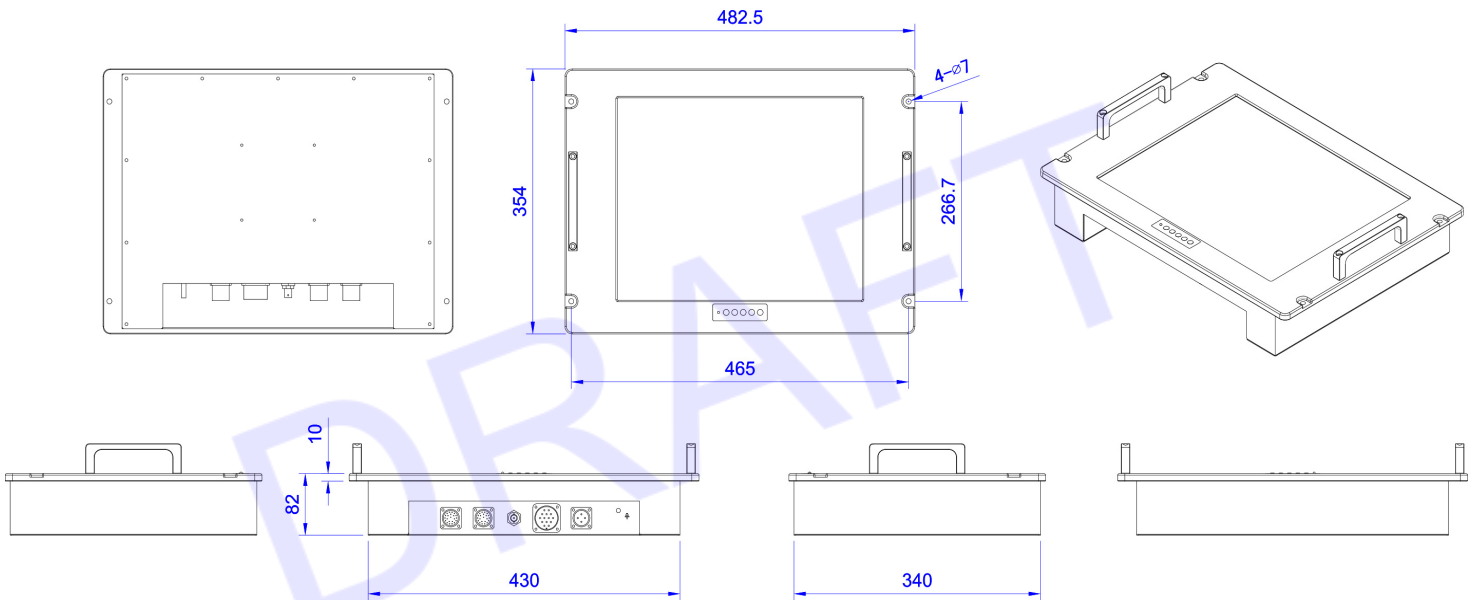
Mechanical	Front Bezel	Mil. grade aluminum alloy
	Rack Mountable	Yes, Rack Mountable
	Chassis	Heavy duty galvanized steel with painting in black
	Color	Semi gloss finish in black
	Handles	Built in 2 handles
Mount	Rack Mount	Support Rack Mount
	Front Mount	Support Front Mount
	VESA Mount	Support VESA-100 Mount
LCD Module	LCD Size	17" TFT LCD
	LCD Grade	Military grade
	Brightness	800 ~ 1000 cd/m2 for outdoor application
	Resolution	1280 x 1024
	Aspect Ratio	4 : 3
	Contrast Ratio	1000 : 1
	Display Color	16.7 M
Protection Glass	View Angle	80° / 80 / 60 / 60°
	Protection Glass	Yes, built in strengthen protection glass
EMI	Glass Type	3.0mm thick strengthen glass
	EMI Mesh	Yes, built in EMI mesh
I/O Port	J1	DC Power with Mil. Circular connector
	J2	DVI-I (STD connector)
	J3	C-Video (BNC connector)
	J4	VGA (MIL connector)
	J5	RS232 (STD connector)
Heater Module	Heater Module	Built-in safety heater module
	Thermo Sensor	Heater automatically switch on when ambient temperature is around +65°C, and heater will automatically switch off when temperature reaches around +16 degree C.
Power Supply	Power Input	DC 9~36V Wide Input
	Power Supply Grade	Military grade power supply MIL-STD-1275 compliant
	Polarity Reverse Protection	Fully protected when polarity reverse
	Isolation	Fully isolated
	Power Consumption	Around 30~35 Watts excluding heater module

**Specifications subject to change without notice, not responsible for typographical errors.*

Dimensions	Exclude Bezel	482.5 (W) x 354 (H) x 72 (D) mm
	Include Bezel	482.5 (W) x 354 (H) x 82 (D) mm
Operating Temperature	Operating Temperature	-30 to +70°C
	Storage Temperature	-35 to +85°C
Environmental	Vibration	Design to comply to MIL-STD-810G, 514.6, Procedure 1
	Shock	Design to comply to MIL-STD-810G, 25g, 11ms,
	Humidity	5~95% R.H. at 35°C, non-condensing
	Salt Spray	MIL-STD-810G compliant
	Mold Growth	MIL-STD-810G compliant
EMI/EMC	CE	CE approval
	FCC	FCC approval
Note : the above test cost is required in case you want test reports		

MECHANICAL DRAWINGS:

This is subject to change without Notice. Final Drawings Will be Provided for Approval after Order.



Drawing No.: Nmil-NP1700HB-06062023-V1