

HIGH BRIGHTNESS RUGGED MILITARY GRADE PANEL PC

7" Military Grade Panel PC, 1024x600, 1000nits
Intel latest 13th Gen. N97 3.6GHz CPU, 16GB, 250GB SSD
with 5-Wired Resistive Touch (Exclude Windows 11 Professional)



Model: **Nmil-CHW0700-i3-HBV2**

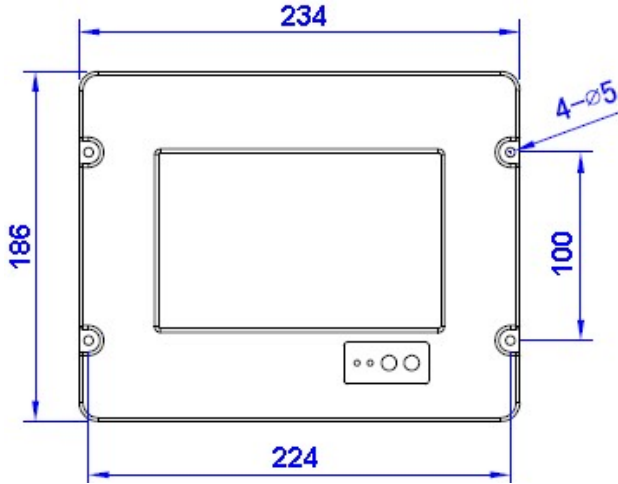
SPECIFICATIONS:

Mechanical	Front Bezel	Military grade 64430 Aluminum Alloy with anti-corrosion treatment
	Chassis	Heavy-duty galvanized steel with anti-corrosion treatment
	Color	Semi-gloss black
Fanless Design	Fanless Design	Yes, 100% fanless design
	Cooling Method	Air conduction through large heatsink
Mount	Front Mount	Support Front mount, flush mount
	VESA Mount	Support VESA-100 Mount
LCD Module	LCD Size	7"
	Resolution	1024 x 600
	Brightness	1000 cd/m2
	Contrast Ratio	500 : 1
	Viewing Angle	70 / 75 / 75 / 75
	No. of Color	16.7 M
Touch	Touch Type	5-Wire Resistive Touch
	Touch Interface	USB
	Touch Device	Finger, Glove, Stylus, etc.
Processor	CPU Generation	Intel latest 13th Gen. N97 3.6GHz CPU
	Cache Memory	6MB L3 Cache Memory
Graphics	Graphics Engine	Intel Iris Xe high speed GPU
	Direct X	12.1
	Open GL	4.6
	Open CL	3.0
System RAM	RAM	16GB DDR5 (Maximum 16GB)
	RAM Type	SO-DIMM Type RAM (262 pin)
	Expansion	Expandable up to 64GB
Storage	SSD	250GB M.2 2280 NVMe ultra fast SSD
	SSD Interface	M.2 2280
	Expandable	500G, 1TB, 2TB etc.
I/O Port	LAN	2 x 10/100/1000 Base-T Ethernet
	USB	4 x USB3.2 ultra fast USB
	Video out	2 x HDMI ports
	Serial (COM) Port	5 x Configurable RS232/422/485 ports
	DC	1 x DC with Mil. Circular connector
Power Supply	Power Input	DC9~48V Ultra Wide input
	Polarity Reverse	Polarity reverse protected, auto recovery
	Power Consumption	Around 20W
Dimensions	Exclude Bezel	234 (W) x 186 (H) x 84 (D) mm
	Include Bezel	234 (W) x 186 (H) x 92 (D) mm
Operating System	Operating System	Windows 10, 11 Pro., RHEL, Linux etc.
Environmental	Operating Temperature	0 to +50 degree C
	Storage Temperature	-20 to +70 degree C
	Humidity	5% ~ 95% R.H. @40 C, non condense
	Salt Fog	MIL-STD-810 Compliant
	Shock	MIL-STD-810 compliant
	Vibration	MIL-STD-810 compliant

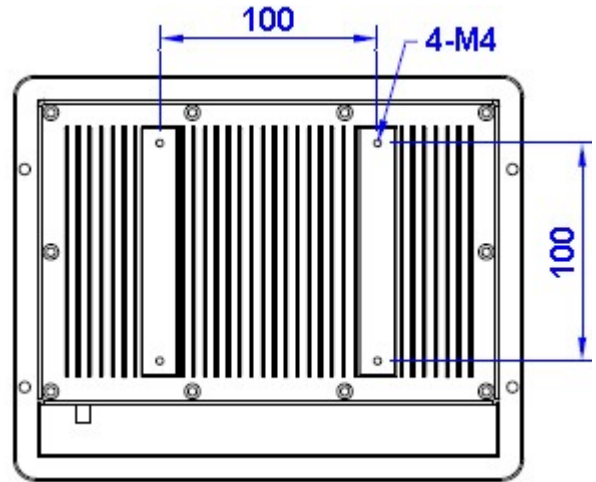
**Specifications subject to change without notice, not responsible for typographical errors.*

MECHANICAL DRAWINGS:

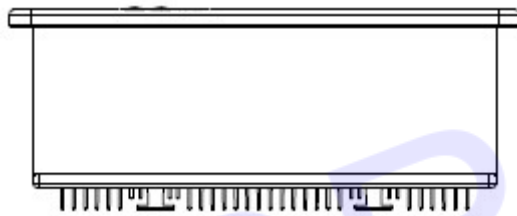
This is subject to change without Notice. Final Drawings Will be Provided for Approval after Order.



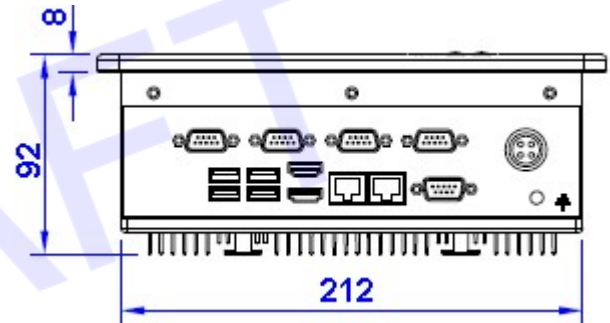
Front View



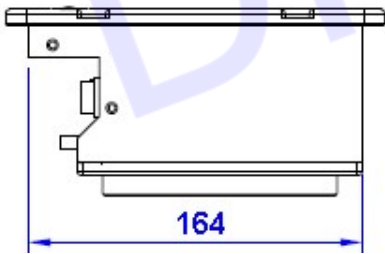
Rear View



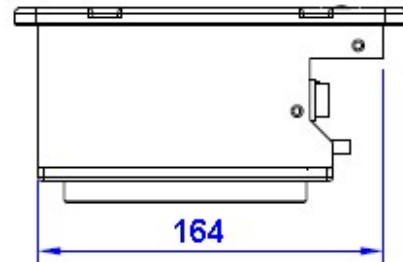
Top View



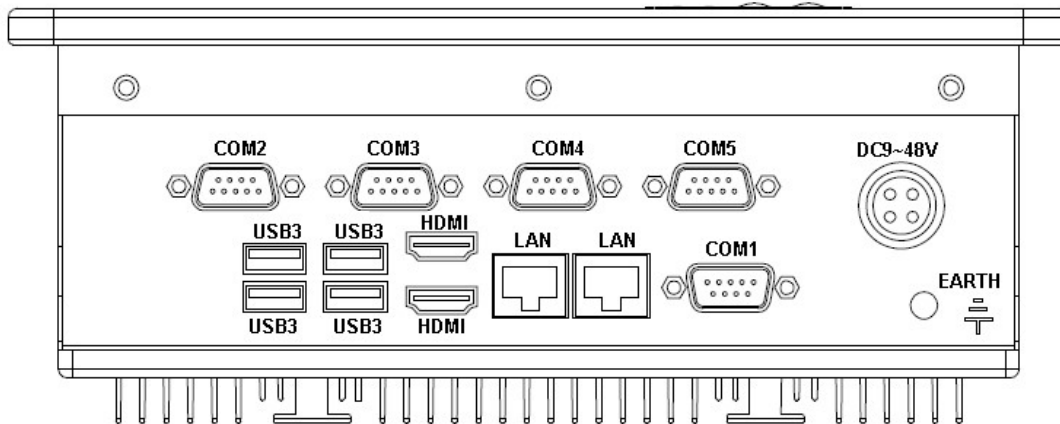
Bottom View



Side View 1



Side View2



I/O Ports At Bottom

Drawing No.: Nmil-CHW0700-i3-HBV2-10182024-V1