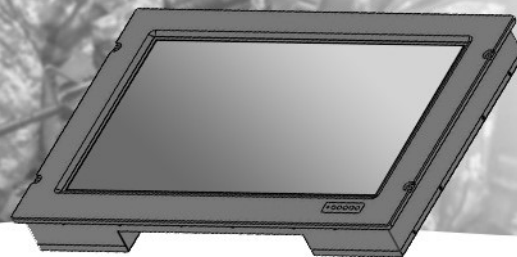


# RUGGED 4K MILITARY LCD MONITOR



**27" 4K Rugged Military LCD Monitor, Aluminum Bezel, 3840x2160 Projective Touch Screen, 300 cd/m2, 2xHDMI, 1xDP, 1xVGA 100~240V AC in Power**



**Model: Nmil-2700-4K-M270-TF**

## FEATURES:

- 4K Rugged 27" LCD Monitor
- 300 nits
- Resolution: 3840x2160
- Mil. grade Aluminum Alloy Bezel, Rugged Steel Housing
- Projective Capacitive Touch
- 100~240V AC Power input with Military type connector
- Front IP65

## SPECIFICATIONS:

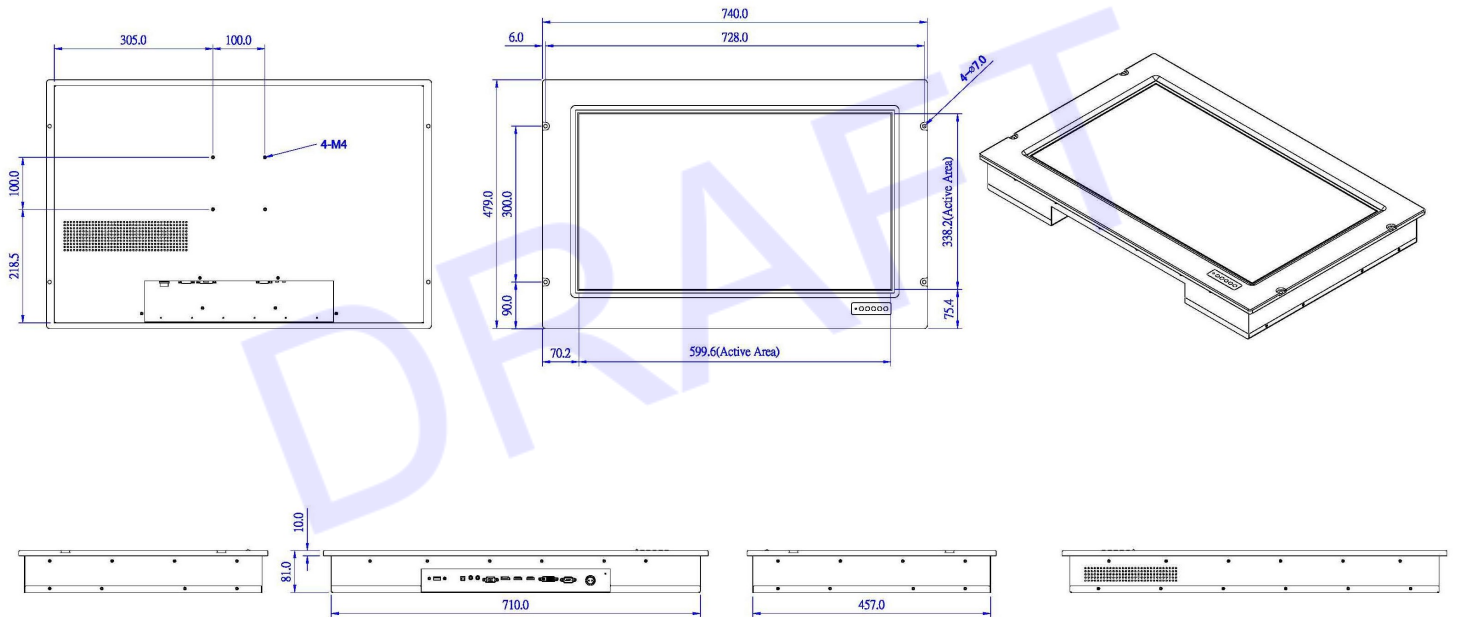
LCD Display	LCD Panel	LCD Size : 27" TFT LCD diagonal Backlight : LED backlight Resolution : 3840 x 2160 Brightness : 300 cd/m2 Contrast Ratio : 1000 : 1 View Angle : 89 / 89 / 89 / 89 No. of Color : 16.7M LCD module support operating temperature from 0 to +50 degree C
Brightness	Brightness	300cd/m2 (Without touch screen)
Touch Screen	Touch	Touch Size : 27" diagonal Touch Type : Projective Capacitive Touch Touch Point : 10 Touch Points Touch Interface : USB
EMI Mesh	EMI Mesh	N/A, not able to apply with PCAP touch
Chassis	Chassis material	Steel construction
	Front Bezel	Thick aluminum front bezel
	<b>Ingress Protection</b>	IP-65 water-resistant at the front
OSD	OSD Control Keypad	Power On-Off, Menu, Up, Down, Auto
Mechanical		Mil. grade Aluminum Alloy Bezel, Rugged Steel Housing
Mount		Support Front Mount and VESA Mount
I/O Port	VGA	1 x VGA port
	DP	1 x Display Port
	HDMI	2 x HDMI port
	USB	USB port for touch
	POWER	D38999 circular connector and mating cable
<b>Power</b>	AC Power	100~240V AC Power input with Military type connector
Power Consumption	Power Consumption	About 30.2W
Heater	Heater Module	Optional Heater Module to support -40 degree C operating.
Dimension	W x H x D	740 (W) x 479 (H) x 77 (D)mm (this dimension is for reference only)
Environmental	Operating temperature	Designed to meet MIL-STD-810F
	Storage temperature	Designed to meet MIL-STD-810F
	Vibration	Designed to meet MIL-STD-810F 514.5
	CE	Designed to meet CE Standard
	FCC	Designed to meet FCC Standard
	RoHS	Designed to meet RoHS Standard

*\*Specifications subject to change without notice, not responsible for typographical errors.*



## MECHANICAL DRAWINGS:

This is subject to change without Notice. Final Drawings Will be Provided for Approval after Order.



IO Ports : 1 x USB for touch, 1 x DVI, 2 x HDMI, 1 x DP, 1 x VGA,  
and 1 x AC Power with Military Lockable Circular connector

Drawing No.: Nmil-2700-4K-M270-TF-03082024-V1