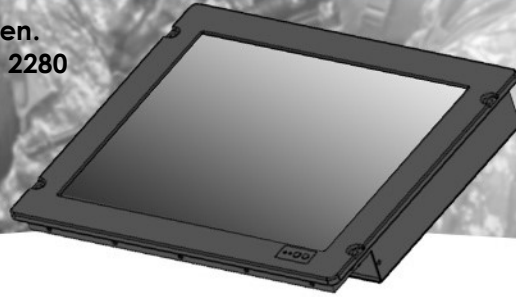


9U RACKMOUNT PANEL PC MILITARY GRADE

17" Rugged 13th Generation Panel PC, 1280x1024, Intel new 13th Gen.
 Quad-Core 3.6GHz processor, 8GB DDR5 4800MHz RAM, 256GB M.2 2280
 NVMe SSD, 2x 2.5Gb LAN, 2x USB3.2, 2x USB, 2x HDMI
 1x RS232/422/485, 1 x Line-out, DC9~36V
 5-Wire Resistive Touch



Model: Nmil-1700TR-QC

SPECIFICATIONS:

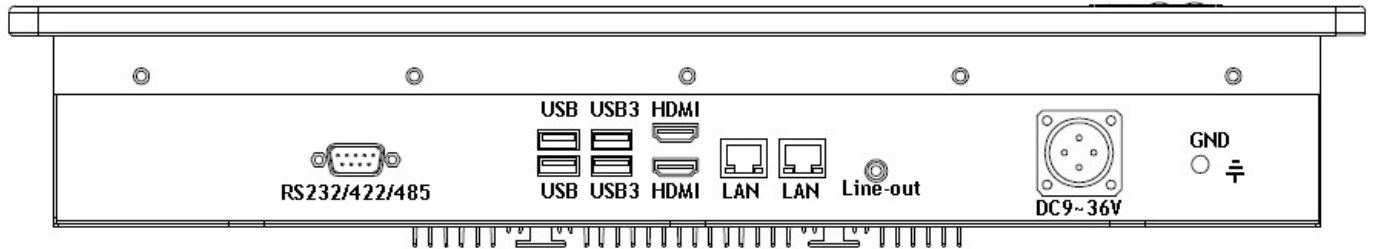
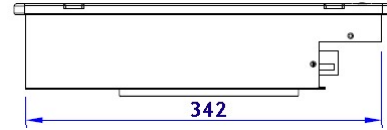
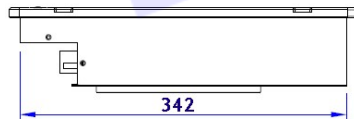
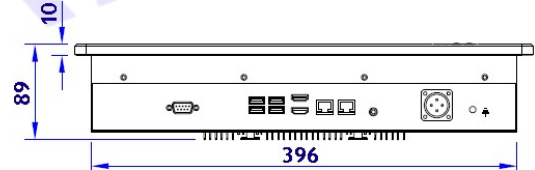
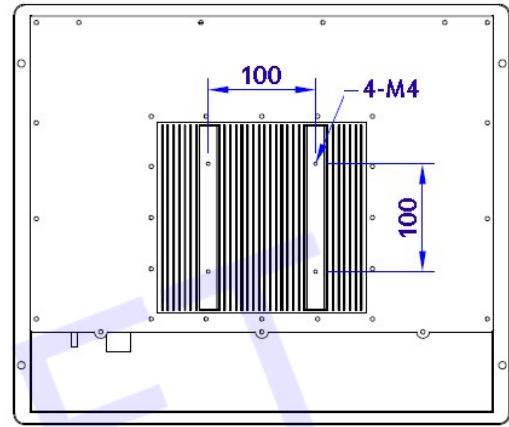
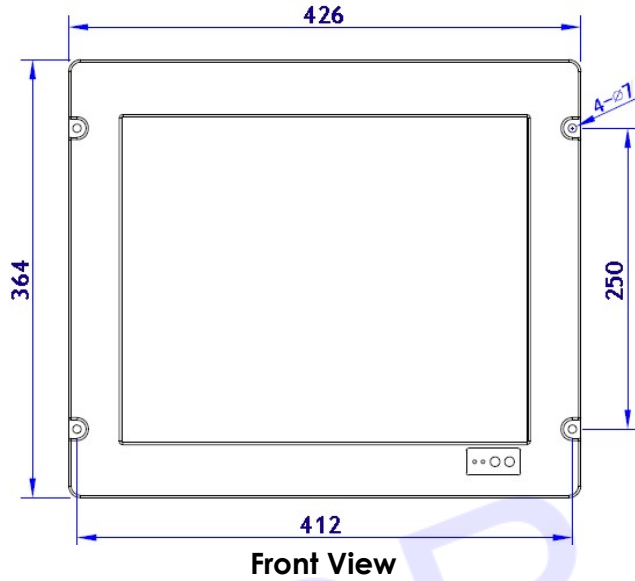
LCD Display	LCD Size	17" Diagonal TFT LCD
	Resolution	1280 x 1024
	Aspect Ratio	5 : 4
	Luminance	350 cd/m2 min.
	Contrast Ratio	1000 : 1
	Display Color	16.7 M
	View Angle	85 / 85 / 80 / 80
Touch or Glass	Touch Screen	Yes, built in
	Touch Type	5-Wire Resistive Touch
	Touch Device	Finger, Gloved, Stylus Pen
Mechanical	Front Bezel	Military Grade 64430 aluminum alloy with anti-corrosion treatment
	Chassis Material	Heavy-duty galvanized steel with anti-corrosion treatment
	Color	Semi-glossy black
Mount	Front Mount	Front mount
	Console Mount	Console Mount
	VESA Mount	VESA-100 Wall Mount
Main-Board	Grade	Military Grade main board
	Fanless Design	Yes, 100% fanless design
Processor	Processor	Intel new 13 th Generation high speed Quad-Core 3.6GHz processor
	No. of Core / Thread	4 Core, 4 Threads
	Cache	6MB smart cache
	Speed	3.6GHz
RAM	RAM Capacity	8GB DDR5 4800MHz ultra high SO-DIMM RAM, expandable up to 16GB
	RAM Type	DDR5 4800MHz SO-DIMM
Storage	SSD	250GB M.2 2280 NVMe Ultra Fast SSD,
	Expansion	500GB, 1TB, 2TB, 4TB
	SSD Type	M.2 2280 NVMe Ultra Fast SSD
I/O Port	USB	2 x USB3.2 ultra high speed 2 x USB2.0 ordinary USB
	HDMI	2 x HDMI support up to 3840 x 2160 4K
	Ethernet	2 x 2.5Gb high speed LAN ports
	Serial Port	1 x Configurable RS232/422/485 serial port
	Audio	1 x Speaker-out
	Power Connector	1 x DC or AC with Military Circular connector
Power Supply	DC Power Input	DC9~36V or
	AC Power Input	Optional AC90~264V,
	OSD Control Keys	On-Off Switch, Reset buttons
	Power Consumption	Around 20~25 Watts in total
Dimension	Exclude Front Bezel	426 (W) x 364 (H) x 79 (D) mm
	Include Front Bezel	426 (W) x 364 (H) x 89 (D) mm
EMI/EMC	CE	CE approved
	FCC	FCC approved
	ROHS	Compliant
	MIL-STD-461F	Optional
Environmental	Operating Temperature	0 to +60 degree C,
	Storage Temperature	-30 to +85 degree C
	Humidity	5% ~ 90% Relative Humidity at 30C, non-condensing
	Vibration	Optional MIL-STD-810G with extra cost
	Shock	Optional MIL-STD-810G with extra cost

*Specifications subject to change without notice, not responsible for typographical errors.

Modified Date: 01-22-2025

MECHANICAL DRAWINGS:

This is subject to change without Notice. Final Drawings Will be Provided for Approval after Order.



I/O Ports at Bottom

Drawing No.: Nmil-1700TR-QC-01222025-V1