

RUGGED RACK MILITARY MOUNTABLE DISPLAY

10.4" 800x600 400nits Rugged Display Rugged Military Grade
Aluminum Front Bezel, Support Front Mount and VESA wall mount
Treated with EMI mesh, Built in Strengthen Protective Glass



Model: Nmil-1040V2

SPECIFICATIONS:

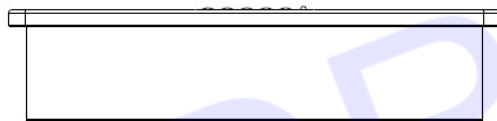
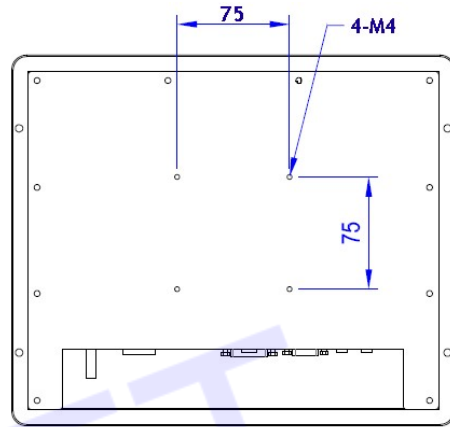
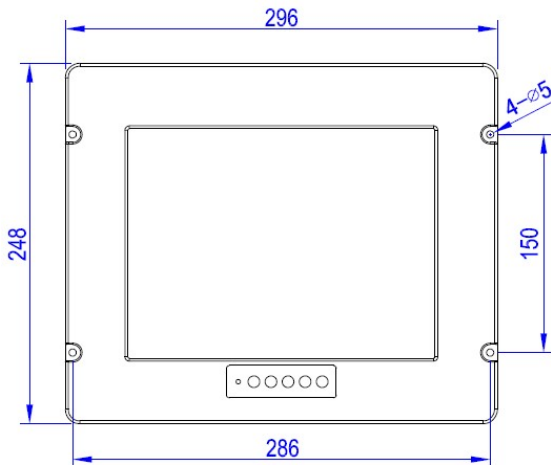
LCD	LCD Size	10.4"
	LCD Grade	Military grade support native -30 to +85°C operating temperature
	Resolution	800 x 600
	Aspect Ratio	4 : 3
	Brightness	400 cd/m2 sunlight readability
	Contrast Ratio	800 : 1
	Display Color	16.2M
	View Angle	80 / 80 / 60 / 80
Touch	Touch	Resistive Touch
	Touch Type	5-Wire Resistive Touch, 4092 x 4092 resolution
	Interface	USB
EMI Mesh	EMI Mesh	Built in EMI shielded mesh
Mechanical	Front Bezel	Military grade aluminum alloy
	Chassis	Rugged galvanized steel coated with anti-corrosion paint
	Fanless Design	Yes, fanless design
Mounting	Front Mount	Yes, front mount
	VESA Mount	Yes, support VESA-75 wall mount
I/O Port	VGA	1 x VGA with standard Connector
	DVI	1 x DVI with standard connector
	HDMI	1 x HDMI with standard connector
	Audio	2 x Audio jacks
	AC	1 x AC power connector
Power Supply	Power Input	DC9~36V wide input
	Power Supply Grade	Military grade power supply support MIL-STD-1275
	Polarity Reverse	Polarity Reverse fully protected
	Lightening	Lightening protected
	Power Consumption	Around 10~12 Watts in total

Dimension	Exclude Front Bezel	296 (W) x 248 (H) x 67 (D) mm
	Include Front Bezel	296 (W) x 248 (H) x 57 (D) mm
Environmental	Operating Temperature	0 ~ +50°C
	Storage Temperature	-30 ~ +85°C
	Humidity	5~95% Relative Humidity at 35°C non-condensing
	Fungus	Compliant to MIL-STD-810
	Shock	Compliant to MIL-STD-810
	Vibration	Compliant to MIL-STD-810
EMI/EMC	CE	CE approval
	FCC	FCC approval
	MIL-STD-461	MIL-STD-461 compliant
MIL-STD-1275	MIL-STD-1275	MIL-STD-1275 compliant

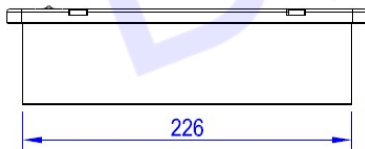
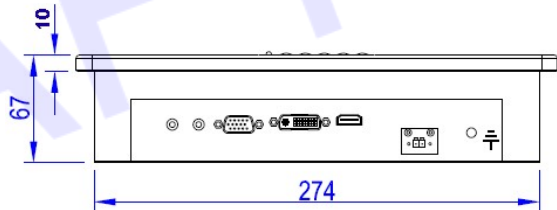
**Specifications subject to change without notice, not responsible for typographical errors.*

MECHANICAL DRAWINGS:

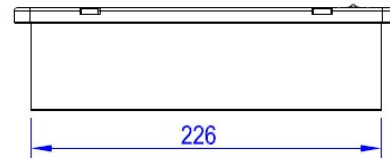
This is subject to change without Notice. Final Drawings Will be Provided for Approval after Order.



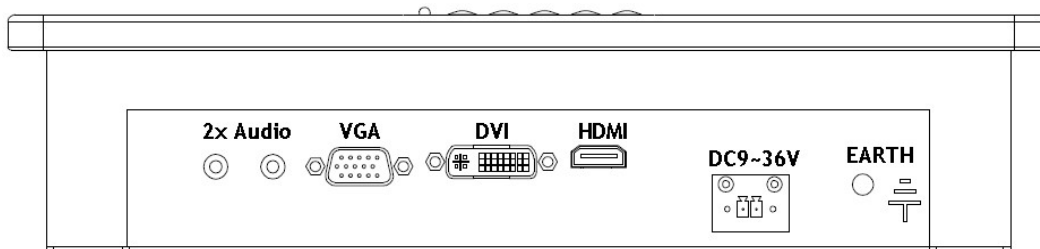
Top View



Side View 1



Side View 2



Drawing No.: Nmil-1040V2-06212023-V1