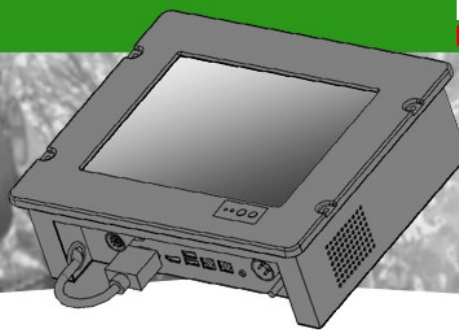


10.4" Military Grade LCD Panel PC 1024x768, 1000nits, -30 ~ 80°C, 4GB DDR3 SO-DIMM, 120GB M.2 2280 SSD, DC16~60V with Intel Conduction Cooled 4-Core 2.0~2.42GHz with Graphics Chip, MIL-STD-1275E compliant



**Model: Nmil-1040PC-CC-V1**

## SPECIFICATIONS:

Mechanical	Front Bezel	Military grade Aluminum Alloy
	Chassis	Galvanized steel with anti-rust painting
	Color	Black
	Mount	Front Mount
	Fanless Design	100% fanless design
	Cooling Method	Conduction cooling
LCD Module	LCD Size	10.4"
	LCD Grade	Military grade
	Resolution	1024 x 768
	Brightness	1000 cd/m2
	Contrast Ratio	700 : 1
	No. of Color	16.7 M
	View Angle	80° / 80 / 70 / 70°
EMI	EMI	Yes, treated with EMI shielding
Touch	Touch Type	5-Wire Resistive Touch
	Touch Interface	USB
	Touch Device	Finger, Glove, Stylus, etc.
Processor	CPU No. No. of Core	Intel J1900 processor 4-Core
	Clock Speed	2.0~2.42GHz
	Power Consumption	10W
Graphics	Graphics Engine	Intel High Definition Z3700
System RAM	RAM	4GB DDR3 1333MHz RAM
	RAM Type	SO-DIMM Type RAM
	Expansion	Expandable up to 8GB

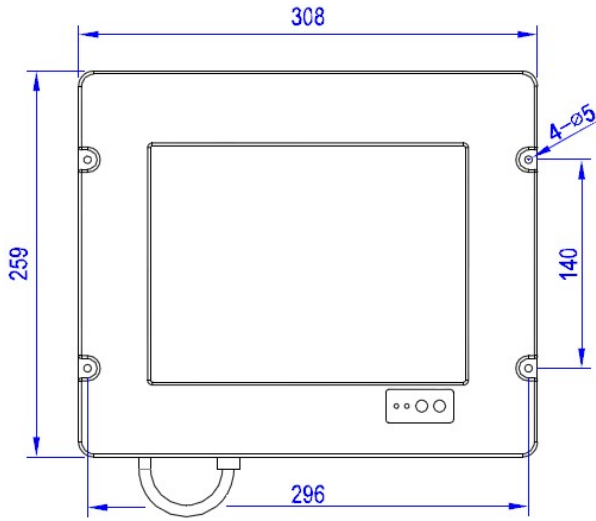
*\*Specifications subject to change without notice, not responsible for typographical errors.*

Storage	SSD	120GB SSD M.2 2280
	SSD Type	M.2 2280 high speed
	Expandable	240, 250G, 500G, 1TB, 2TB
I/O Port	LAN	2 x 10/100/1000 Mbps Ethernet
	CAN BUS	2 x CAN 2.0B ports
	USB	2 (1 x USB3.0, 1 x USB2.0)
	HDMI	1 x HDMI
	VGA	1 x VGA with MIL-D-38999 Mil. connector
	Serial Port	1 x RS232/422/485
	DC input	1 x DC D-38999 Mil. connector
Power Supply	Power Supply	Military MIL-1275 compliant power supply
	Power Input	DC 16~60V with D-38999 mil. connector
	Fully Isolated	Yes, Fully isolated
	Polarity Reverse	Polarity reverse protected, auto recovery
	Lightning Protection	Yes, lightning protected
Dimensions	W x D x H (w/o Bezel)	308 x 259 x 96 mm
	W x D x H (with Bezel)	308 x 259 x 104 mm
Operating System	Operating System	Support Windows 10, Linux etc.
Environmental	Operating Temp.	-10 to +60 degree C
	Storage Temperature	-30 to +85 degree C

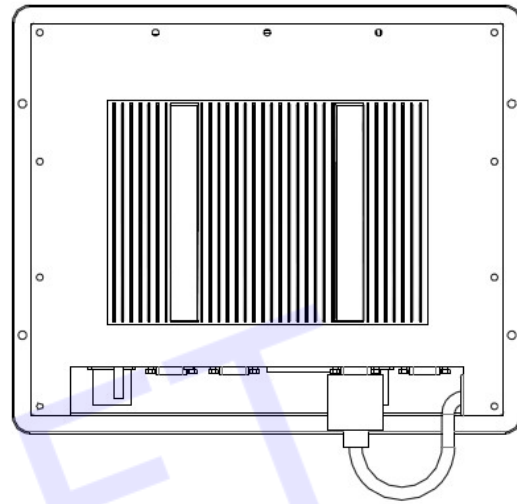
*\*Specifications subject to change without notice, not responsible for typographical errors.*

## MECHANICAL DRAWINGS:

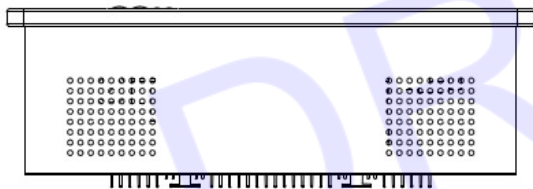
This is subject to change without Notice. Final Drawings Will be Provided for Approval after Order.



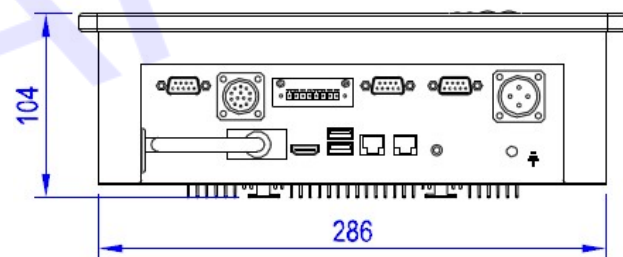
Front View



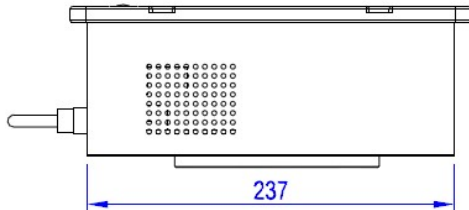
Rear View



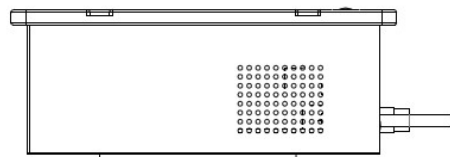
Top View



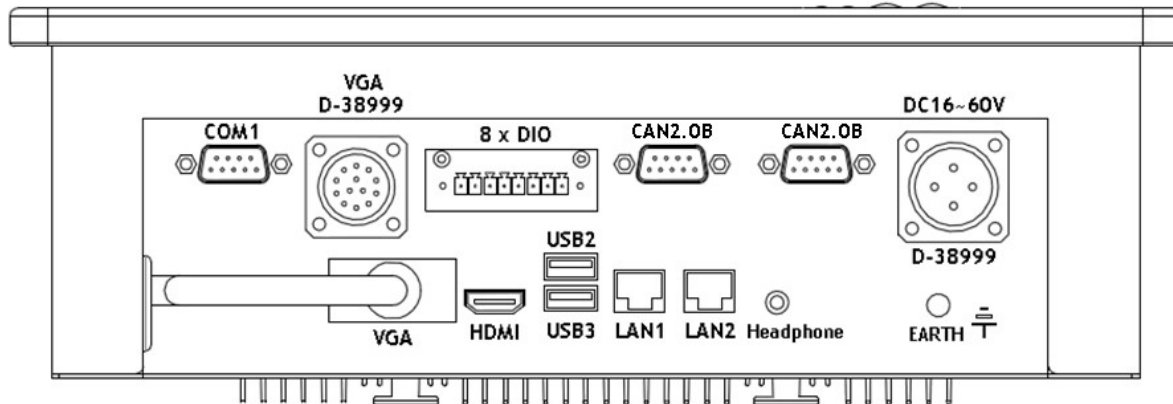
Bottom View



Side View 1



Side View2



I/O Ports At Bottom