

FANLESS PANEL PC

7" Fanless PANEL PC with Intel Atom Bay Trail J1900, SODIMM DDR3 (L), 1866MHz, 8GB, 512*8, 1.35V, Multiple Independent Display: VGA, DVI & LVDS

Model: LPCW700-J



FEATURES

- 7" LCD with resistive touch screen
- Intel Atom Bay Trail J1900
- DDR3L SODIMM, Max 8GB
- 2 x GbE, 4 x COM, DVI, VGA, 4 x USB
- Wide Range 9~36V DC input
- Plastic (ABS) housing

SPECIFICATIONS

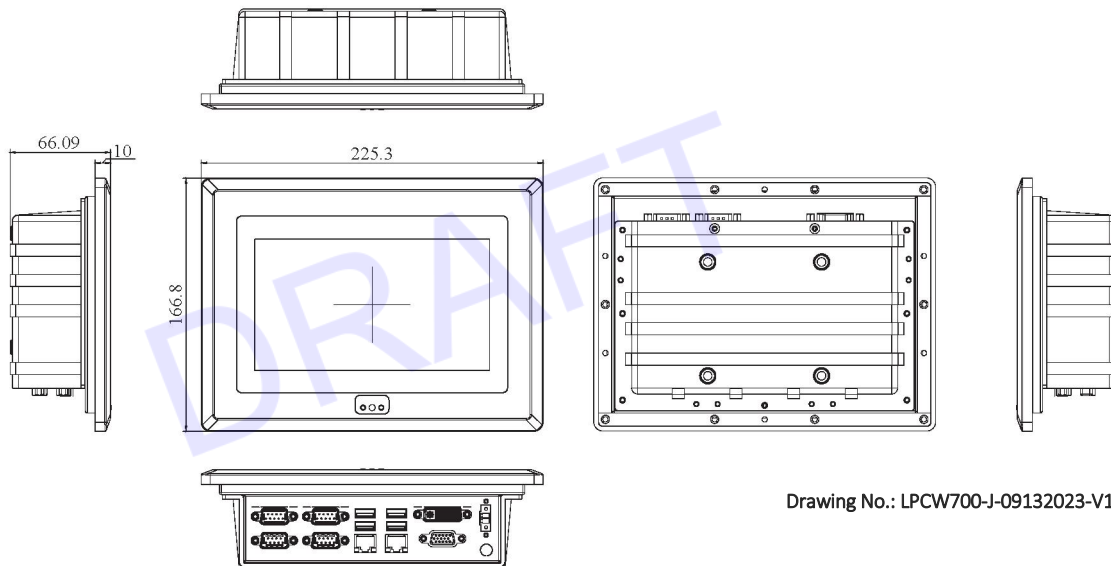
Motherboard	
CPU	Embedded Intel® Bay Trail J1900 CPU
Chipset	Intel Bay Trail SoC
Memory	DDR3L SODIMM, Max 8GB
Storage	mSATA, HDD / SSD*
Expansion slots	1 x Full-size Mini PCIe (PCIe / USB / mSATA)
	1 x Full-size Mini PCIe (PCIe / USB)
I/O ports	Network 2 x Intel GbE
	USB 4 x USB 3.0
	Serial ports 4 x RS232 / 422 / 485
	Display 1 x VGA, 1 x DVI
Optional Modules & Function	GPS, Bluetooth, PoE, WiFi, 4G LTE, Isolated
	COM, battery UPS
	*SATA Kit, *VESA Mount Kit, * External power adapter
OEM I/O	3 Layers back panel (add 2* COM + DIO)
Certification	CE / FCC, EN50155, E13
OS Support	Windows® 10 IOT (64bit), Windows® 8.1 (64bit),
	Windows® Embedded 8 Standard (64bit),
	Windows® 7 (32 / 64bit),
	Windows® Embedded Standard 7 Runtime,
	Ubuntu 14.10 above, Fedora 25 above, Debian 8 above, CentOS 7.3 above, Mint 18.1 above

Mechanical	
Dimensions	225.3W x 166.87D x 66.1H mm
Weight	1.2 kg
Mounting	VESA mount & Stand (optional)
Power	
DC input	wide range DC input without Power Adapter
AC input	External adapter 100 / 240V, AC-DC (optional)
LCD Display & Touch	
Display Type	7 inch 16:9
Max. Resolution	1024 x 600
Viewing Angle	75(U) 75(D) 75(R) 75(L)
Luminance (cd/m2)	500
Contrast Ratio	700:1
Touch Type	Resistive Touch Screen (Capacitive – Option)
Environment	
Operating Temp. (100 % CPU usage)	-20°C to +60°C with mSATA / SSD 0°C to +50°C with HDD
Storage Temp.	-20°C to +70°C
Relative Humidity	95% @ 40°C, non-condensing
IP Rating	Front panel IP65 Compliant

**Specifications subject to change without notice, not responsible for typographical errors.*

MECHANICAL DRAWINGS

This is subject to change without Notice. Final Drawings Will be Provided for Approval after Order.



Drawing No.: LPCW700-J-09132023-V1