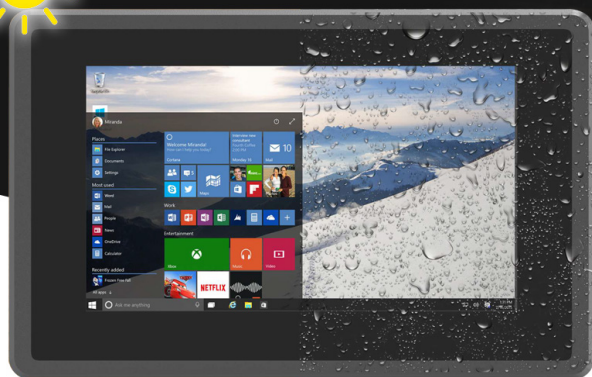


SUNLIGHT READABLE PANEL MOUNT LCD MONITOR



7" 1000nits 16:10 800x480 supports up to 4096/3840x2160 30p with 4K HDMI 1.4b, VGA, AV, 10-Point Capacitive Touch, IP64 rating for front panel, Metal housing, Multiple mounts (Embedded and Wall-mount, etc.)

MODEL: LPMW0700HB-L1

"7" Touch Screen Monitor

Featuring a 10-point touch screen and a high-brightness screen panel of 1000 nits, this monitor is equipped to meet your display needs. The versatile interfaces support a broad spectrum of customization options, including HDMI, VGA, AV, and more. Its IP64 front panel design enhances installation flexibility and application convenience.

IP64 Rated Screen Panel

With an IP64 rating, the front panel provides comprehensive protection against particles and substantial defense against water, even against water projected by a nozzle from any direction.

Diverse Interfaces

Apart from the standard interfaces, the main board incorporates multiple reserved expansion ports that can be uniquely tailored to specific requirements. The easily replaceable sheet metal also facilitates convenient modifications to the interfaces.

Suitable for Industrial HMI Applications

As industrial automation continues to advance, HMIs find application across a wide range of industries. Serving as the central control and monitoring system for automated processes, this monitor prioritizes stability, efficiency, and adaptability to diverse environments.

Robust Metal Housing

Crafted from aluminum with precision, the case ensures a close fit with the screen, achieving an IP64 rating for added durability.

Input Voltage Range: 12-24V

The monitor supports a wide range of input voltages, catering to various application environments."

SPECIFICATIONS

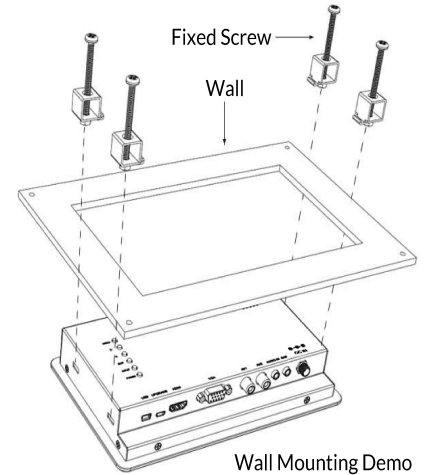
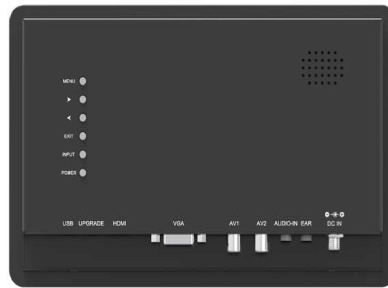
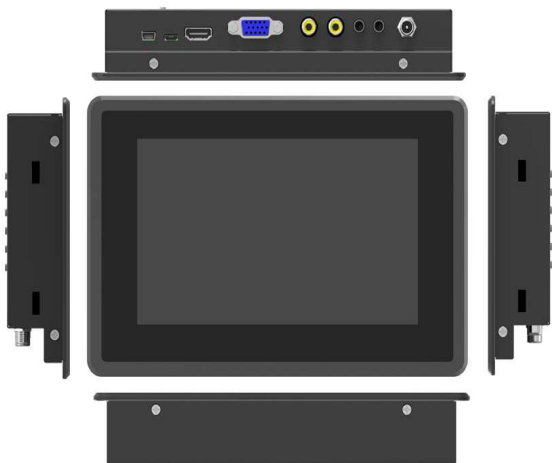
DISPLAY	
Touch screen	10 point capacitive touch (Non-touch function for optional)
Panel	7" LCD
Physical Resolution	800x480 supports up to 4096/3840 x 2160 30p
Aspect Ratio	16:10
Brightness	1000nits
Viewing Angle	140° / 120° (H/V)
INPUT	
HDMI	1 x 4K HDMI 1.4b
VGA	x1
AV	x2
Audio	x1
SUPPORTED FORMATS	
HDMI	2160p 24/25/30, 1080p 24/25/30/50/60, 1080i 50/60, 720p 50/60...
AUDIO	
Speaker	x1
HDMI	2ch
Ea Jack	3.5mm - 2ch 48kHz 24-bit
POWER	
Input Voltage	DC 12-24V

ENVIRONMENT	
Operating Temperature	-20°C~60°C (-4°F~140°F)
Storage Temperature	-30°C~70°C (-22°F~158°F)
Water-proof	IP x4 front panel
Dust-proof	IP 6x front panel
DIMENSION	
Dimension(LWD)	210mm x 131mm x 34.2mm
Wall Mount Slot	x4
Weight	710g
Certification	FCC/CE

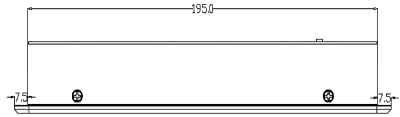
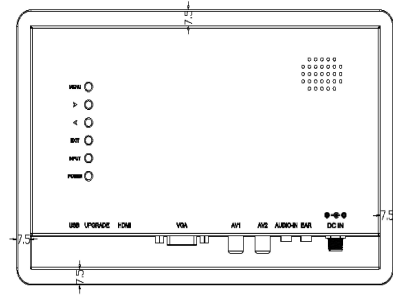
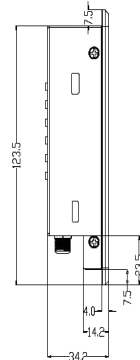
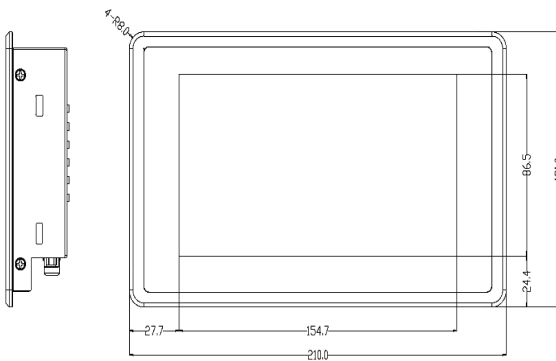
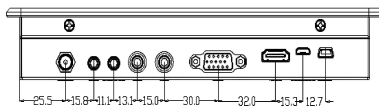
**Specifications subject to change without notice, not responsible for typographical errors.*

MECHANICAL DRAWINGS

This is subject to change without Notice. Final Drawings Will be Provided for Approval after Order.



Wall Mounting Demo



Drawing No.: LPMW0700HB-L1-11062023-V1

ACCESSORIES



12V 2A DC Power Adapter



HDMI A to A Cable



VGA Cable



USB A to Mini USB Cable
(for touch)



Audio Input Cable



AV Input Cable



Fixed Screws
x4