

9.7" Industrial Open Frame Touch LCD Monitor
1024x768, 350nits, HDMI, VGA, DVI Input

MODEL: LOPW0970



Excellent Display

Attractive 4:3 aspect ratio 9.7 inch IPS panel, which features with 1024x768 resolution, 5-wire resistive touch, 174° wide viewing angles, 900:1 contrast and 350cd/m² brightness, providing satisfied viewing experience.



Rich Interfaces

Coming with HDMI, DVI, VGA & AV input signals to meet different needs of various professional display applications.



Metal Housing

Whole device with metal housing design, which make a good protection from damage, and good-looking appearance, also extend the lifetime of monitor.



Open Frame

Having a variety of mounting usage in plenty of fields, such as rear(open frame), wall, 75mm VESA, desktop and roof mounts.

SPECIFICATIONS

DISPLAY	Display Screen	9.7" IPS
	Resolution	1024x768
	Aspect Ratio	4:3
	Touch Panel	5-wire resistive touch (optional)
	Contrast Ratio	900:1
	Brightness	350cd/m ²
	Viewing Angle	174°/174° (H/V)
INPUT	Input Signal	HDMI, VGA, DVI, AUDIO & VIDEO(BNC)
AUDIO	Speaker	1
POWER	Input Voltage	DC 7-24V
	Battery	External (optional)
	Current	800mA
	Power Consumption	≤10W
	Audio Output	≤1W
ENVIRONMENT	Operating Temperature	-20°C-60°C
	Storage Temperature	-20°C-70°C
DIMENSION	Dimension(LWD)mm	279.6 X 195.5 x 36.1 (open frame) / 279.6 X 203.5 X 37.6
	Weight	1300g(open frame) / 1600g

**Specifications subject to change without notice, not responsible for typographical errors.*

ACCESSORIES

STANDARD	
1. HDMI A/A cable	1 piece
2. VGA cable	1 piece
3. Audio BNC cable	1 piece
4. Video BNC cable	1 piece
5. 12V DC adapter	1 piece
6. Open frame bracket or metal mount panel	1 piece
7. Manual	1 copy
8. VESA folding bracket (optional)	1 piece
FOR TOUCH FUNCTION	
1. USB cable (for touch function)	1 piece
2. Touch driver disk	1 piece
3. Touch pen	1 piece



STANDARD



FOR TOUCH FUNCTION



Structure

Supports rear mount (open frame) with integrated brackets, and VESA 75mm standard, etc. a metal housing design with slim and firm features making efficient integration into embedded or other professional display applications.

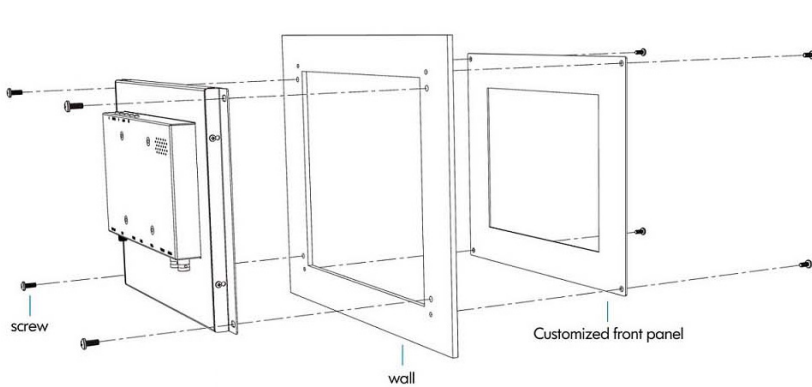
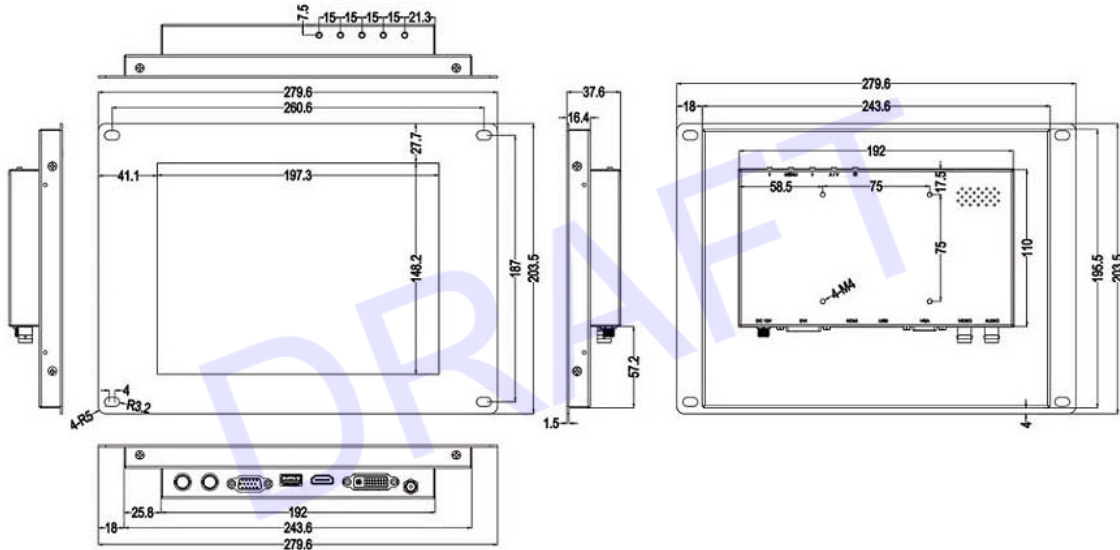
DRAWINGS

This is subject to change without Notice. Final Drawings Will be Provided for Approval after Order.

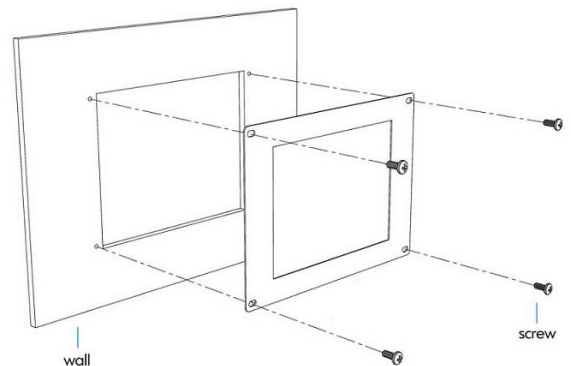
OPTIONAL FOR PANEL MOUNT

LPMW0970-TR (Touchscreen)

LPMW0970 (Non Touch)



A Rear Mount (open frame)



B Wall Mount