

9.7" Industrial Open Frame Touch LCD Monitor  
1024x768, 350nits, HDMI, VGA, DVI Input  
with Resistive Touch

**MODEL: LOPW0970-TR**



### Excellent Display

Attractive 4:3 aspect ratio 9.7 inch IPS panel, which features with 1024x768 resolution, 5-wire resistive touch, 174° wide viewing angles, 900:1 contrast and 350cd/m2 brightness, providing satisfied viewing experience.



### Rich Interfaces

Coming with HDMI, DVI, VGA & AV input signals to meet different needs of various professional display applications.



### Metal Housing

Whole device with metal housing design, which make a good protection from damage, and good-looking appearance, also extend the lifetime of monitor.



### Open Frame

Having a variety of mounting usage in plenty of fields, such as rear(open frame), wall, 75mm VESA, desktop and roof mounts.

## SPECIFICATIONS

|                    |                       |  |
|--------------------|-----------------------|--|
| <b>DISPLAY</b>     | Display Screen        | 9.7" IPS   |
|                    | Resolution            | 1024x768   |
|                    | Aspect Ratio          | 4:3  |
|                    | Touch Panel           | 5-wire resistive touch (optional)                        |
|                    | Contrast Ratio        | 900:1  |
|                    | Brightness            | 350cd/m <sup>2</sup>                                     |
|                    | Viewing Angle         | 174°/174° (H/V)  |
| <b>INPUT</b>       | Input Signal          | HDMI, VGA, DVI, AUDIO & VIDEO(BNC)                       |
| <b>AUDIO</b>       | Speaker               | 1  |
| <b>POWER</b>       | Input Voltage         | DC 7-24V   |
|                    | Battery               | External (optional)                                      |
|                    | Current               | 800mA  |
|                    | Power Consumption     | ≤10W   |
|                    | Audio Output          | ≤1W  |
| <b>ENVIRONMENT</b> | Operating Temperature | -20°C-60°C   |
|                    | Storage Temperature   | -20°C-70°C   |
| <b>DIMENSION</b>   | Dimension(LWD)mm      | 279.6 X 195.5 x 36.1 (open frame) / 279.6 X 203.5 X 37.6 |
|                    | Weight                | 1300g(open frame) / 1600g                                |

*\*Specifications subject to change without notice, not responsible for typographical errors.*

## ACCESSORIES

| <b>STANDARD</b>                            |         |
|--|---------|
| 1. HDMI A/A cable                          | 1 piece |
| 2. VGA cable                               | 1 piece |
| 3. Audio BNC cable                         | 1 piece |
| 4. Video BNC cable                         | 1 piece |
| 5. 12V DC adapter                          | 1 piece |
| 6. Open frame bracket or metal mount panel | 1 piece |
| 7. Manual                                  | 1 copy  |
| 8. VESA folding bracket (optional)         | 1 piece |
| <b>FOR TOUCH FUNCTION</b>                  |         |
| 1. USB cable (for touch function)          | 1 piece |
| 2. Touch driver disk                       | 1 piece |
| 3. Touch pen                               | 1 piece |



**STANDARD**



**FOR TOUCH FUNCTION**



### Structure

Supports rear mount (open frame) with integrated brackets, and VESA 75mm standard, etc. a metal housing design with slim and firm features making efficient integration into embedded or other professional display applications.

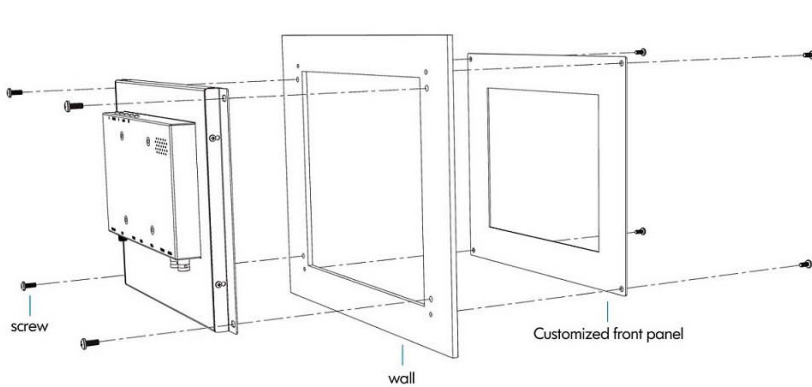
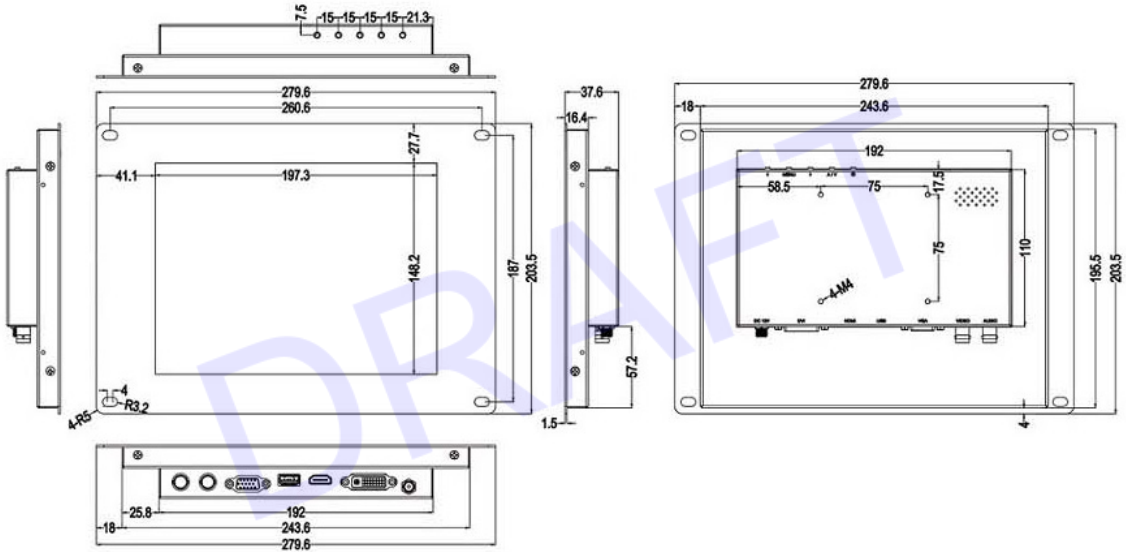
# DRAWINGS

This is subject to change without Notice. Final Drawings Will be Provided for Approval after Order.

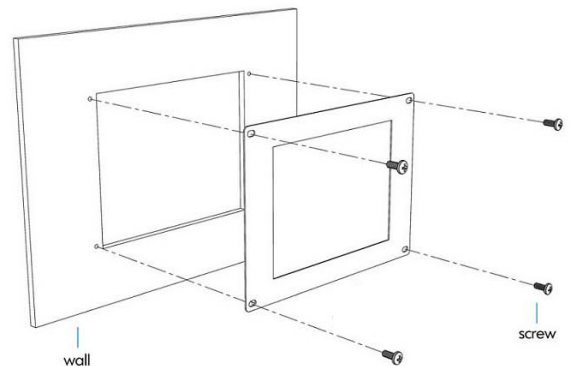
## OPTIONAL FOR PANEL MOUNT

LPMW0970-TR (Touchscreen)

LPMW0970 (Non Touch)



A Rear Mount (open frame)



B Wall Mount