

INDUSTRIAL TOUCH MONITOR

13.3" 1920×1080 Full HD HDMI Monitor VGA, USB, DVI, HDMI with True Flat Zero Bezel 10-point capacitive Touch

MODEL: LECHW1330FCAP



EXCELLENT DISPLAY

Attractive 13.3 inch multi-touch capacitive IPS panel, which features with 1920x1080 Full HD resolution, 170°wide viewing angles, high contrast and brightness, providing satisfied viewing experience.

RICH INTERFACES

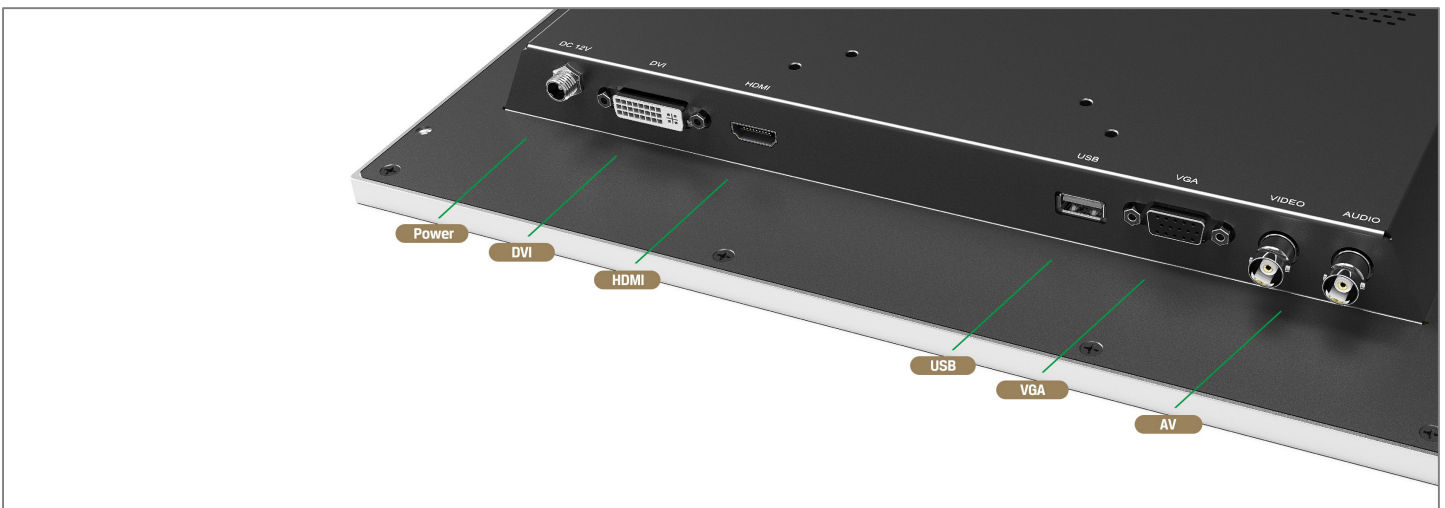
Coming with HDMI, DVI, VGA& AV input signals to meet different needs of various professional display applications.

METAL HOUSING

Wiredrawing aluminum front shell with iron back shell, which make a good protection from damage, and good-looking appearance, also extend the lifetime of monitor.

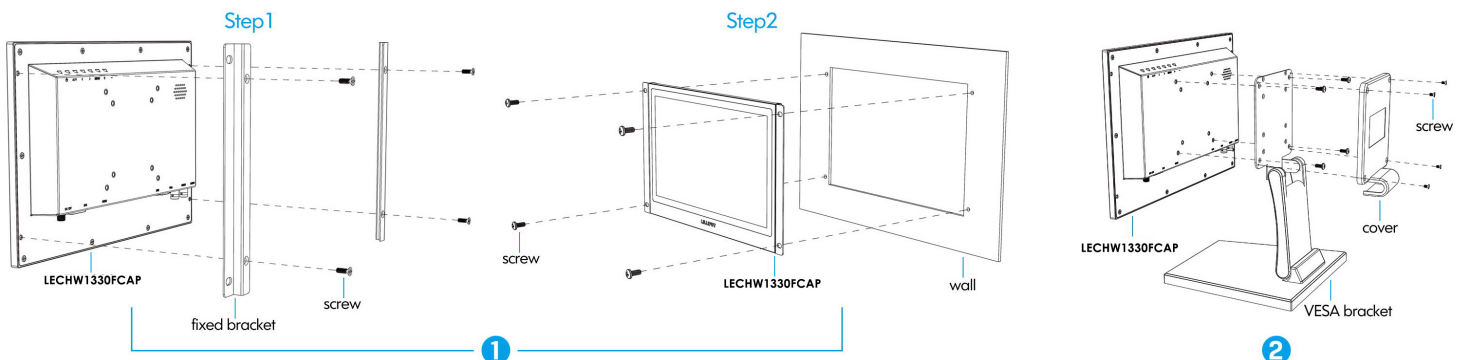
MOUNTS METHODS

Having a variety of mounting usage in plenty of fields, such as rear, wall, 75mm/100mm VESA, desktop and roof mounts.



STRUCTURE

Supports rear/wall mounts with integrated brackets, and VESA 75mm/100mm standard mounting, etc. A metal housing design with slim and firm features making efficient integration into embedded or other professional display applications.



SPCIFICATIONS

DISPLAY	
Display Screen	13.3" LED IPS
Resolution	1920x1080
Aspect Ratio	16:9
Touch Panel	Capacitive Touch (optional)
Contrast Ratio	800:1
Brightness	300cd/m ²
Viewing Angle	170°/170° (H/V)
INPUT	
Input Signal	HDMI, VGA,AV, DVI
AUDIO	
Speaker	1
POWER	
Input Voltage	DC 7-24V
Battery	External (optional)
Current	790mA
Power Consumption	≤8W
Audio Output	≥1W
ENVIRONMENT	
Operating Temp	-20°C ~ 60°C
Storage Temp	-20°C ~ 70°C
DIMENSION	
Dimension (LWD)	333.5x166.6x34.5mm
Weight	1900g

**Specifications subject to change without notice, not responsible for typographical errors.*

ACCESSORIES	
Standard	
1.	HDMI A/A cable
2.	VGA cable
3.	USB cable (for touch function)
4.	Touch driver disk
5.	12V DC adapter
6.	Fixed bracket with screws
7.	Screws for VESA mount
Optional	
1.	VESA folding bracket
2.	DVI cable



STANDARD



OPTIONAL

MECHANICAL DRAWINGS

This is subject to change without Notice. Final Drawings Will be Provided for Approval after Order.

