

# CHASSIS MOUNT LCD MONITOR

7" HDMI Capacitive Touchscreen monitor 800x480 1000nits 500:1 HDMI, DVI, VGA and composite video inputs, 10-point capacitive touch screen, DC 7V-24V, Operating temperature -20C to 60C, Storage temperature -30C to 70C 75mm VESA mounts



## MODEL: LCHW07H-PCAP



### 1000nits HIGH Brightness

1000 cd/m2 brightness screen, is able to see more details in the sunshine. Avoid carrying a big sunshade cover, save more space and provide a good horizon.

### I/O Control Interface

The interface has functions such as connecting with reverse trigger line in car reversing system, and control computer host to switch on/off, etc. Functions also can customize to meet different demands.

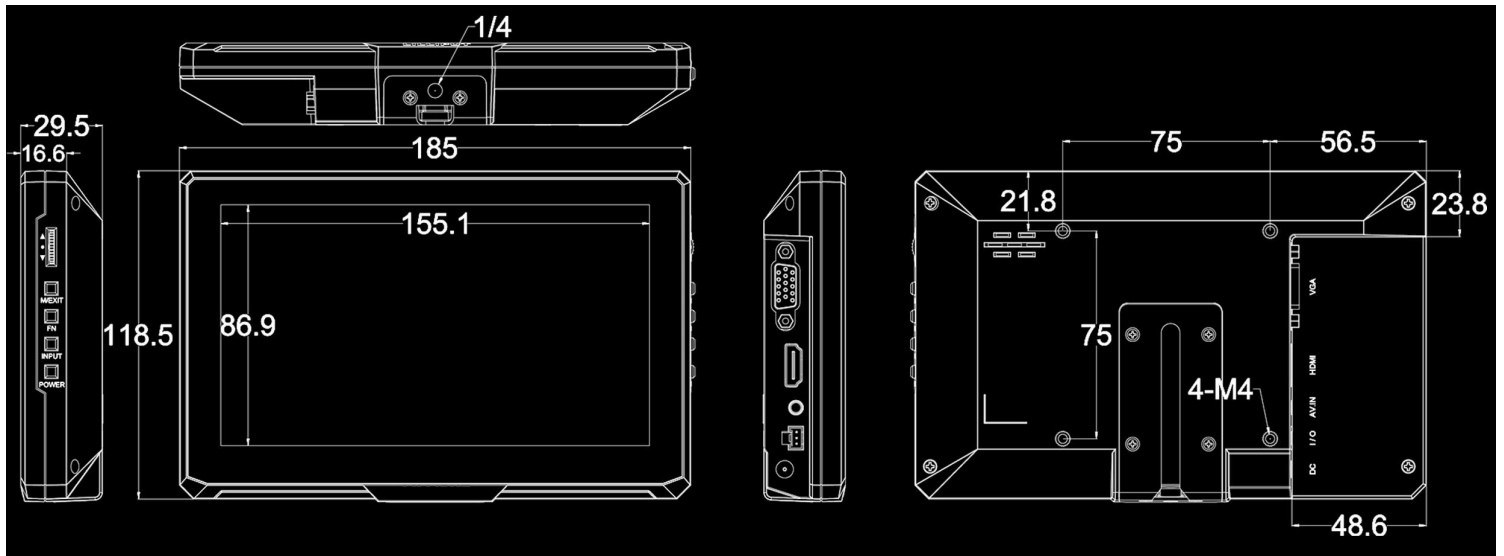
### LUX Auto Brightness (Optional)

A light sensor designed to detect ambient lighting conditions adjusts the panel's brightness automatically, which makes viewing more conveniently & saves more power.



## MECHANICAL DRAWINGS

*This is subject to change without Notice. Final Drawings Will be Provided for Approval after Order.*



Drawing No.: LCHW07H-PCAP-01242023-V1

## SPECIFICATIONS

DISPLAY	
Display Screen	7" LED backlit
Touch Panel	Capacitive (support OS: Win7 or above optional)
Physical Resolution	800x480
Brightness	1000 cd/m2
Contrast	5000:1
Viewing Angle	120°/120° (H/V)
INPUT	
HDMI	1
VGA	1
DVI	1 (Optional)
Composite	1
AUDIO	
Speaker	1
Ear Jack	1
POWER	
Current	0.6A (12V)
Input Voltage	DC 7-24V
Power Consumption	<6.5W
ENVIRONMENT	
Operating Temperature	-20°C~60°C
Storage Temperature	-30°C~70°C
DIMENSION	
Dimension(LWD)	185mm x 118.5mm x 29.5mm
Weight	415g

*\*Specifications subject to change without notice, not responsible for typographical errors.*

## ACCESSORIES

