

LCIL200

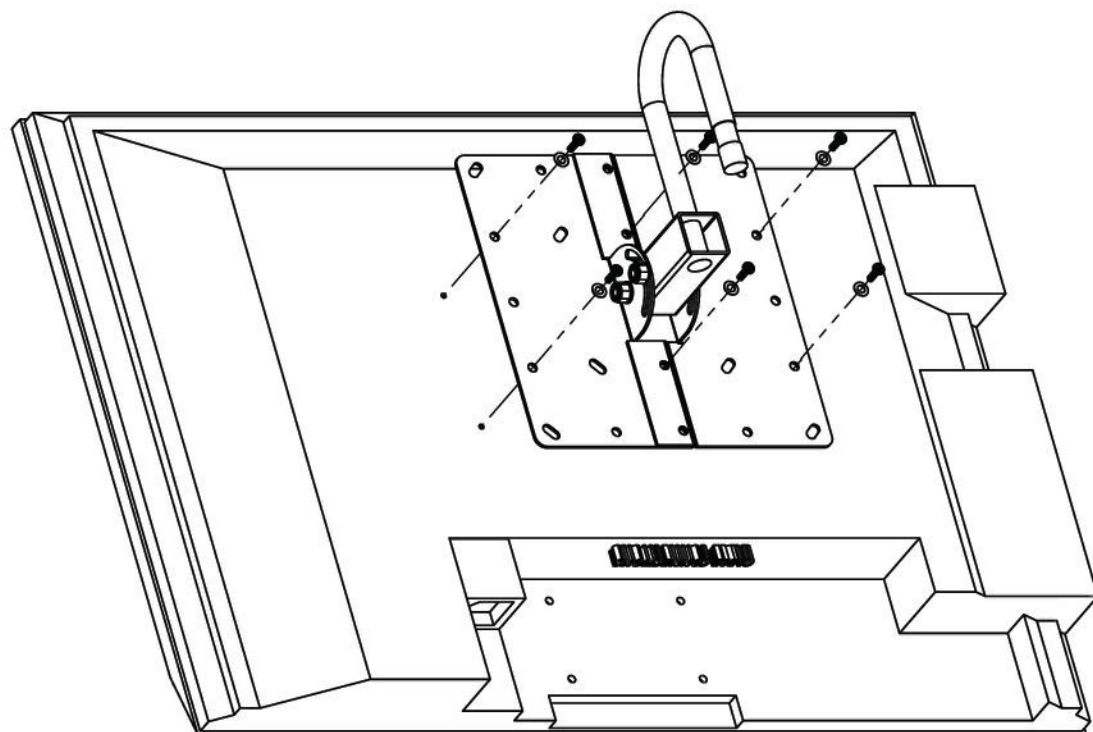
Hook Mount for up to 32" Flat Panel Screens with up to 200mm VESA Mounting Patterns

The instructions do not include installing the hook style wall plate

1. Attach the 200mm VESA Plate to the back of the monitor with screws that are appropriate for the bosses on the monitor. An assortment of monitor attaching screws are provided for convenience.

2. Hook the mount with the monitor onto the wall plate. If available on the wall plate, secure the hook in place with the locking screw on the wall plate.

3. Adjust the viewing angle and tighten the 1/4-20 socket head screw to fix the monitor in the desired viewing angle.



Contents

- 1 ... U-Hook with Square Tubing
- 1 ... 200mm VESA plate
- 1 ... 5/16-18 x2" Button Socket Head Screw
- 2 ... 5/16" Bellville Washer
- 2 ... 5/16" Flat Washer
- 1 ... 5/16" Nylok Nut
- 1 ... 1/4-20 x2" Button Socket Head Screw
- 4 ... 1/4" Bellville Washer
- 2 ... 1/4" Flat Washer
- 1 ... 1/4-20 Nylok Nut

Monitor Attaching Screws

4mm x 25mm Set Screws	... 6	4mm Hex Nuts	... 12
5mm x 30mm Set Screws	... 6	5mm Hex Nuts	... 12
6mm x 30mm Set Screws	... 6	6mm Hex Nuts	... 12
4mm x 12mm Phillips Screws	... 6	5mm Flat Washers	... 36
5mm x 12mm Phillips Screws	... 6	1/4" Flat Washers	... 18
6mm x 12mm Phillips Screws	... 6		



Distributed by:

i-Tech Company LLC

TOLL FREE: (888) 483-2418 • EMAIL: info@iTechLCD.com • WEB: www.iTechLCD.com