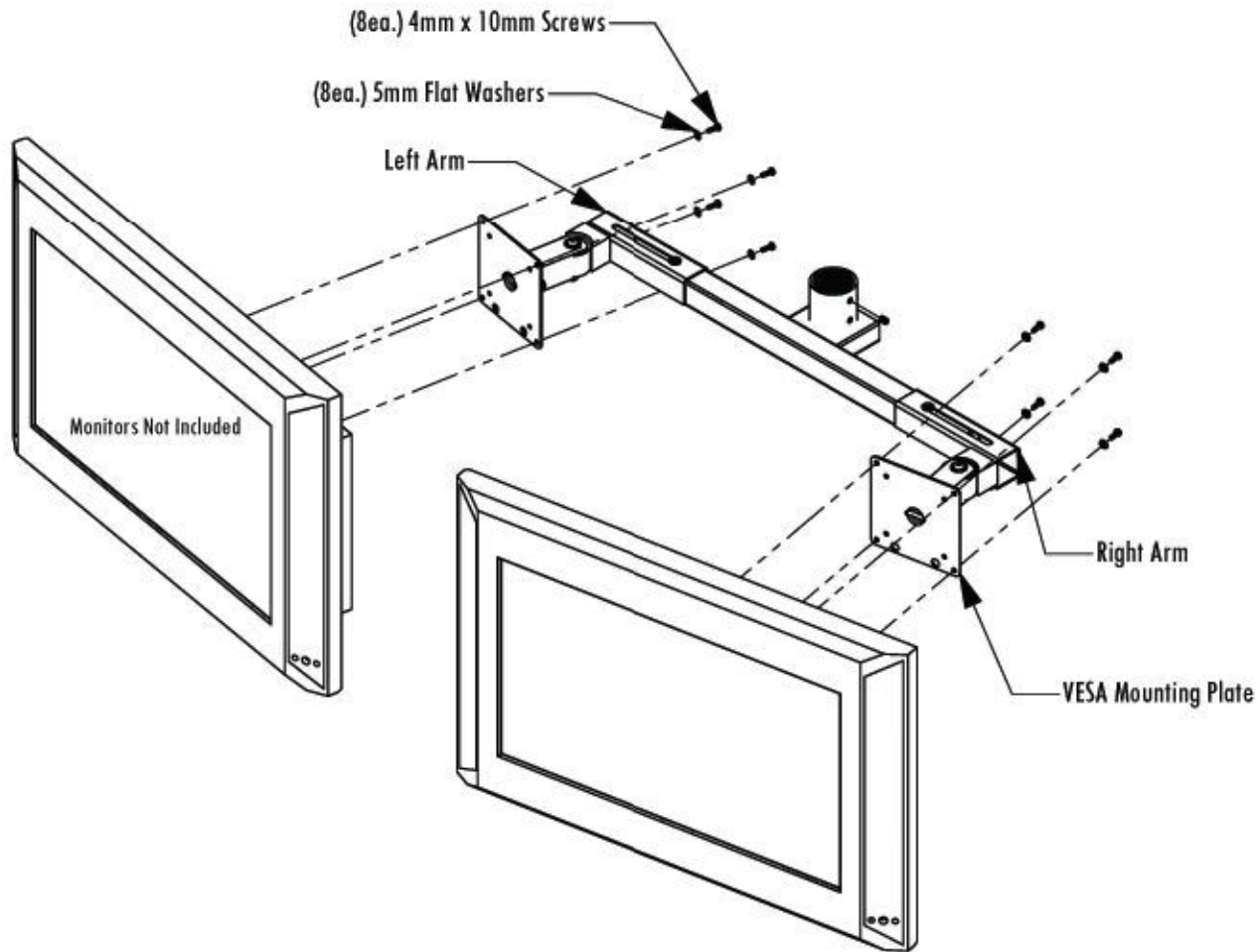


LCDC2 Dual Side by Side LCD Ceiling Mount



1. Attach the LCDC2 Ceiling Mount to an existing 1-1/2" Pipe connected to an existing ceiling flange mounted into structure. Apply thread locking agent and secure the pipe with the setscrew in the coupling.

2. Attach the Monitors with screws appropriate for your monitor. M4 x 12mm x .7P (#3) are provided.

3. Adjust the tilt and pivot as needed to provide the desired viewing angle for each monitor by loosening the Nylock Nuts, adjusting and tightening the Nylock Nuts

4. Adjust the distance between the monitors by loosening the Nylock Nuts on the Left and Right Arms, sliding them into position, and retighten the Nylock Nuts.

5. Double check to make sure all hardware is secure and tight.

Hardware List

- 5ea. 1/4-20 x 3/4" Hex Bolts
- 5ea. 1/4" Flat Washers
- 8ea. 4mm x 10mm Screws
- 8ea. 5mm Fender Washers
- 8ea. 4mm x 10mm Screws