

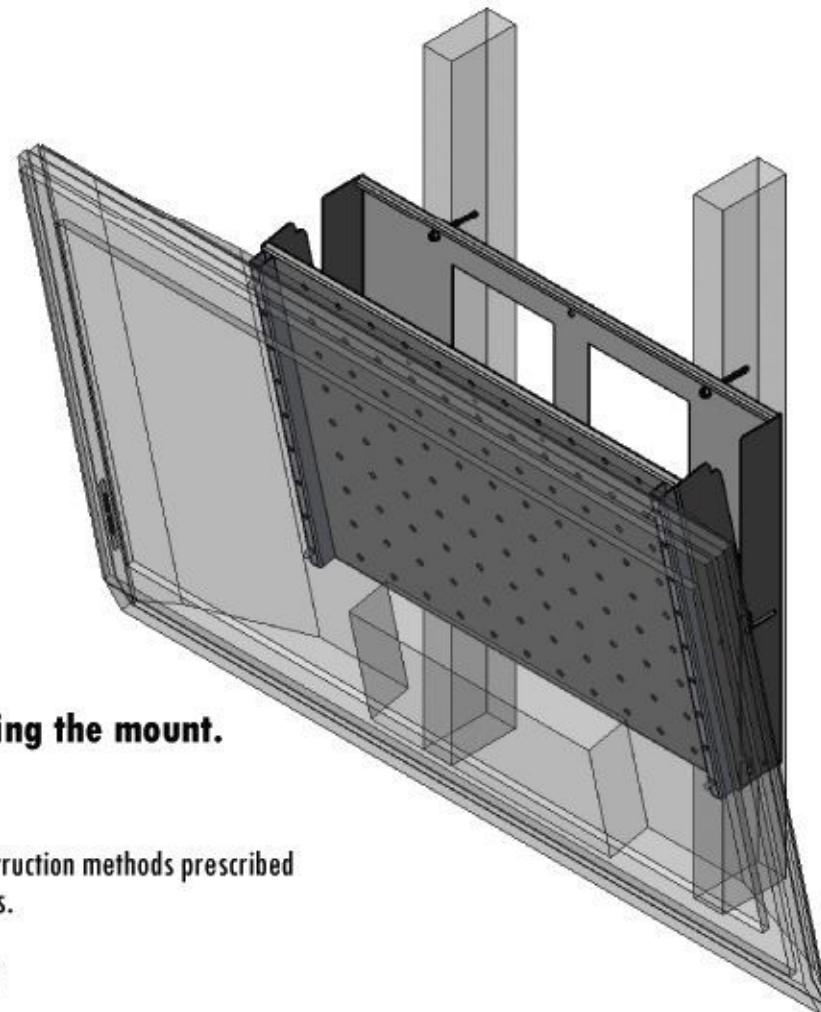
## LC6X4WTM Security Wall Mount with Tilt for up to 60" Flat Screens with VESA<sup>®</sup> 600mm x 400mm or less

The LC6X4WTM Security Wall Mount with Tilt is designed to secure a flat screen, up to a 60", to the wall while still allowing the monitor to tilt.

The VESA<sup>®</sup> mounting patterns on the front of the LC6X4WT allow it to be mounted to monitors that have mounting patterns of 600mm x 400mm or smaller (including 400mm x 200mm and 200mm x 200mm mounting patterns)

Convenient cutouts for electrical and A/V wiring in the wall.

Using the provided security screws prevents the monitor from being removed without the use of a security screw tool, purchased separately.



### **Important! Please read all warnings and cautions before installing the mount.**

Caution: Improper installation of this mount may void the warranty on your monitor.

Caution: Wall attachment should be performed by qualified installers only, using construction methods prescribed by authorized architects or engineers that comply to all applicable codes and standards.

The maximum weight of monitor to be installed on the LC6X4WTM is 150 Lbs. (68.2Kg.)

Inspect all parts to make sure there is no shipping damage. Do not install if any parts are damaged.



**Distributed by:**

iTech Company LLC

TO LL FREE: (888) 483-2418 • EMAIL: [info@iTechLCD.com](mailto:info@iTechLCD.com) • WEB: [www.iTechLCD.com](http://www.iTechLCD.com)

**WARNING:** Improper installation can result in serious personal injury. It is the responsibility of the installer to ensure that all safety precautions are taken during the installation and that all safety features of the mount are properly utilized.

**WARNING:** The structure to which the mount is attached needs to be capable of supporting five times the stated load limit. Additional reinforcement of the structure may be necessary and a certified architect or engineer is needed to make this determination.

**WARNING:** Take into consideration the combined weight of the mount, the monitor and any auxiliary equipment when determining the total load on the wall and mount.

**WARNING:** Do not place your fingers between movable parts on the LC6X4WTM mount. The LC6X4WTM Back Plate and VESA Mounting Plate, when adjusting the tilt or putting the monitor in place, create pinch points that can cause injury.

**WARNING:** Make sure that the screws used to attach the monitor to the mount are the appropriate size and length. An assortment of monitor attaching screws are provided for convenience. The appropriate screws to use for mounting the monitor is determined by the monitor manufacturer. Failure to use the screws recommended by the monitor manufacturer can result in the monitor dropping from the mount and/or damage to the electronic components inside the monitor.

## Table of Contents

Page 1 ... Title Page & Product Description  
 Page 2 ... Warnings, Item List & Tools Required  
 Page 3 ... Dimensional Drawings  
 Page 4 ... Installation Instructions for LC6X4WTM Wall Plate  
 Page 5 ... Installation Instructions for Monitor Attachment  
 Page 6 ... Tilt Adjustment, Monitor Removal & Warranty

## Tools Required

Stud Finder  
 Drill with 1/8" Drill Bit  
 Phillips Screw Driver  
 1/4" Socket Driver w/ 1/4" Socket  
 1/4" Socket Extension 12" - 16"  
 5/32" Hex Driver for 1/4" Socket

(optional security tool 5/32" Hex Driver with hole for 1/4" Socket)

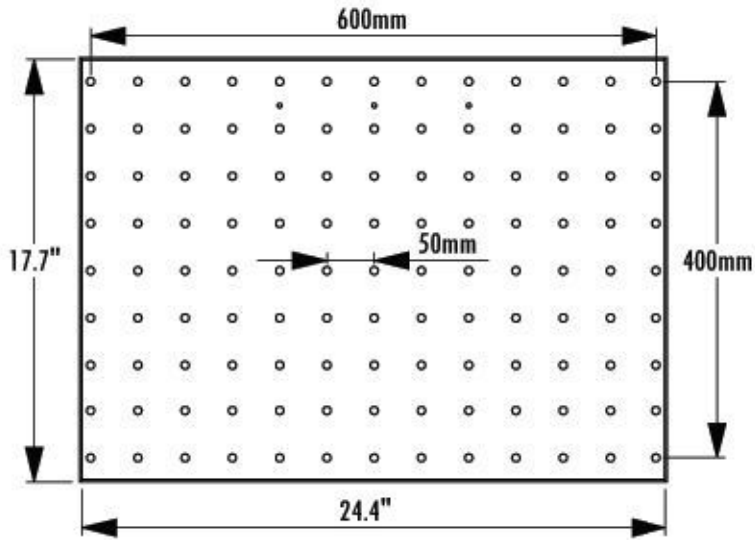
## Item List

- 1 ... LC6X4WTM Wall Plate
- 1 ... LC6X4WTM VESA Mounting Plate
- 2 ... 400mm Spacers
- 8 ... #10-24 x 1" Socket Head Cap Screws
- 4 ... #10-24 x 3/8" Button Head Screw with Security Pin
- 6 ... #14 x 2-1/2" HWH Lag Screws

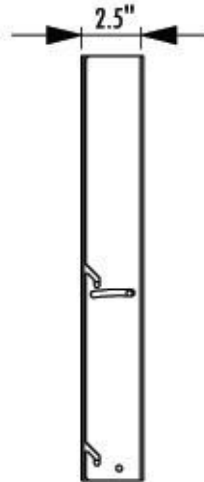
### Monitor Attaching Screw Assortment

- 4 ... 4mm x 40mm Set Screws
- 8 ... 4mm Hex Nuts
- 4 ... 5mm x 40mm Set Screws
- 8 ... 5mm Hex Nuts
- 4 ... 6mm x 40mm Set Screws
- 8 ... 6mm Hex Nuts
- 4 ... 8mm x 40mm Set Screws
- 8 ... 8mm Hex Nuts
- 24 ... 5mm Flat Washers
- 12 ... 8mm Flat Washers
- 12 ... 1/4" Flat Washers

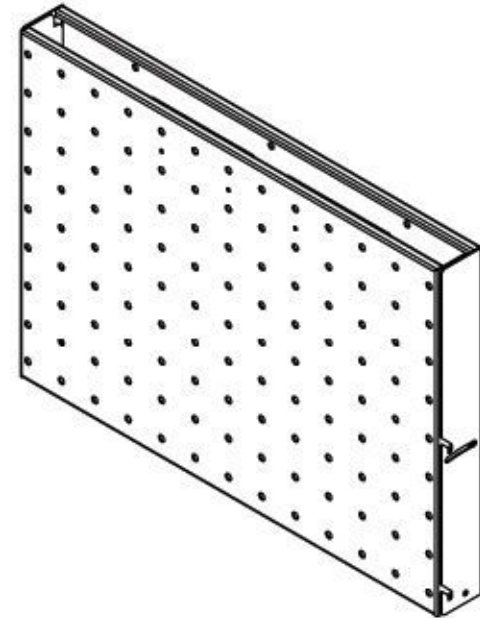
### VESA Mounting Plate



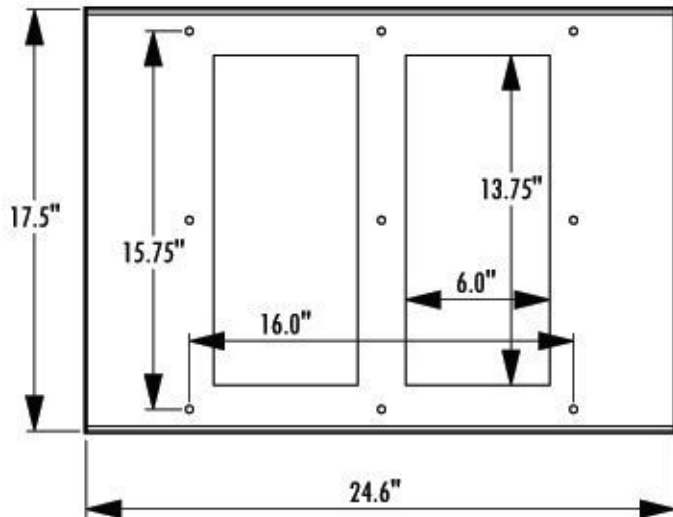
### Side View



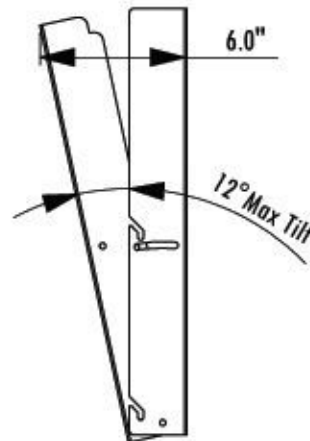
### Isometric View



### Wall Plate



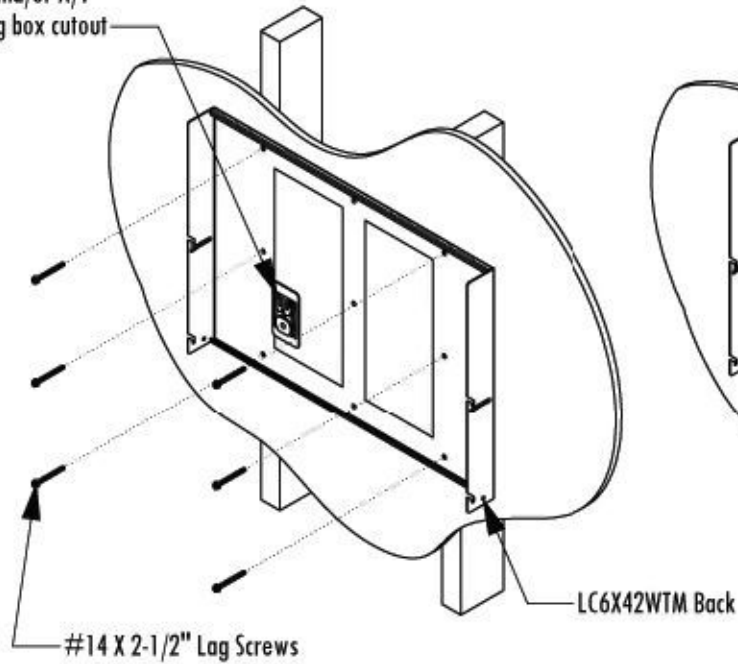
### Tilted Side View



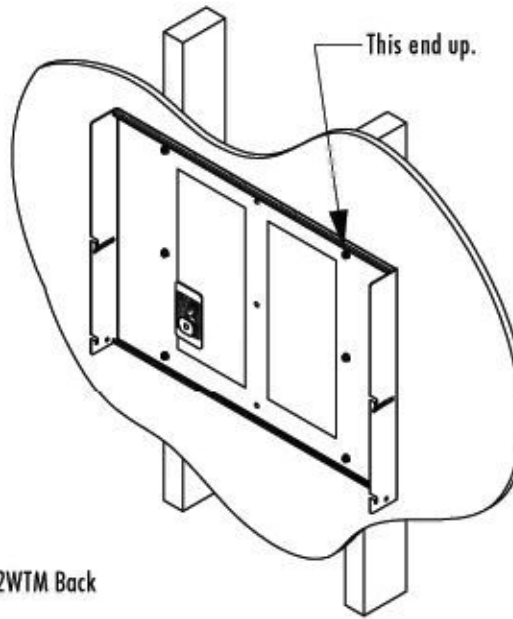
### Top View



Electrical and/or A/V  
wiring plug box cutout



This end up.



## Wood Stud Installation

Determine the best possible viewing location for your monitor taking into account the tilt angle to be used.

Locate two wood studs 16" apart using a stud finder in the location where the monitor is to be mounted. (Optional Toggle Bolts are required for metal stud installations)

Use the LC6X4WTM Back Plate as a template to mark the locations for six pilot holes in the wood studs.

Drill 2-3/4" deep pilot holes using a 1/8" drill bit in the six marked locations.

Use the provided #14 x 2-1/2" Lag Screws to attach the LC6X4WTM Back Plate to the wall.

## Metal Stud Installation

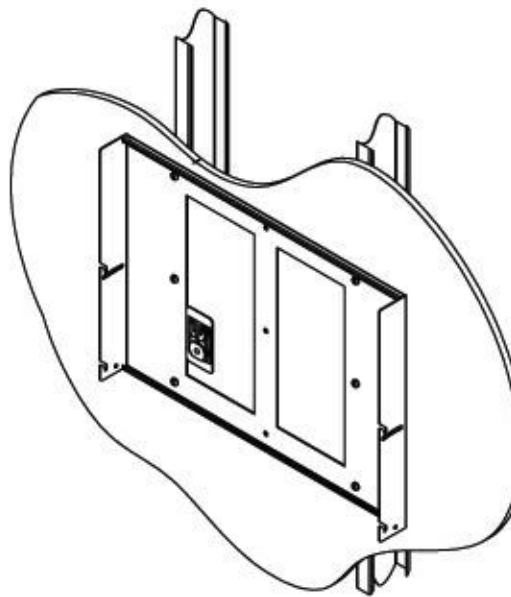
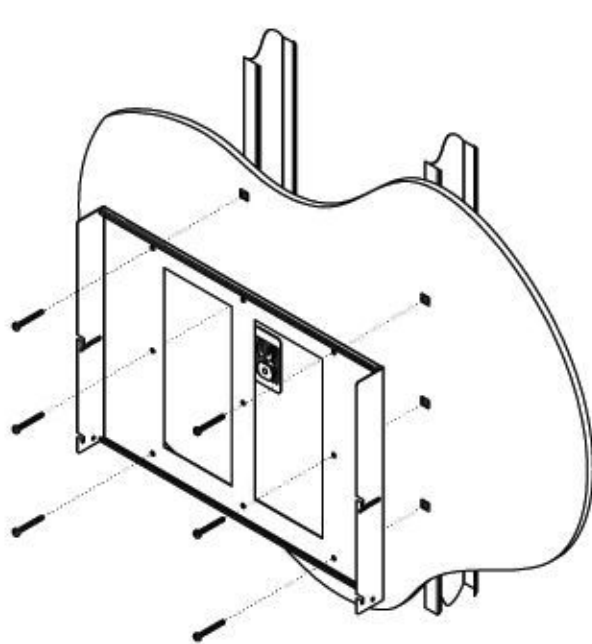
(Using optional WMATB3 Toggle Bolt Kit)

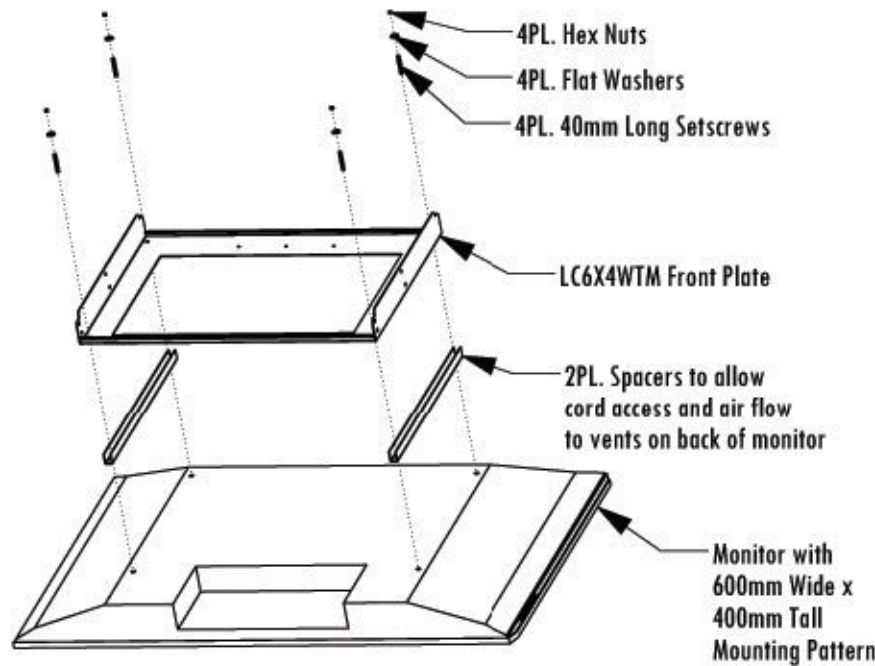
Determine the best possible viewing location for your monitor taking into account the tilt angle to be used.

Locate a stud using a stud finder in the location where the monitor is to be mounted.

Follow the instructions that come with the toggle bolt kit to install the toggle bolt plastic retainers at each of the mounting hole locations.

Use the Screws provided with the toggle bolt kit to attach the LC6X4WTM Back to the wall.





## Monitor Attachment to Front Plate

Determine which type of monitor attaching hardware is required for the monitor as specified by the monitor manufacturer. Various sizes of monitor attaching screws are provided for convenience.

Make sure the top of the LC6X4WTM Front is oriented in the same direction as the top of the monitor. The holes on the side of the LC6X4WTM Front Plate are closer to the bottom edge than the top edge.

Align the LC6X4WTM front plate with the VESA mount pattern on the back of the monitor. Attach the LC6X4WTM Front Plate to the back of the monitor using the appropriate size screws and washers.

Make sure all of the Monitor Attaching Screws are tight before proceeding with the rest of the installation.

## Attaching Front Plate to Back Plate

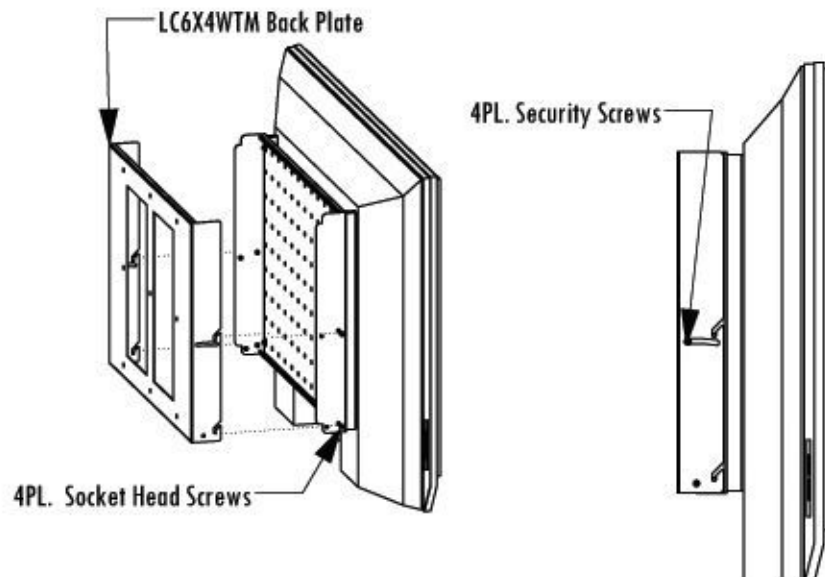
Screw four of the provided Socket Head Screws into the threaded inserts closest to the monitor on the LC6X4WTM Front. Leave 1/2" of thread exposed.

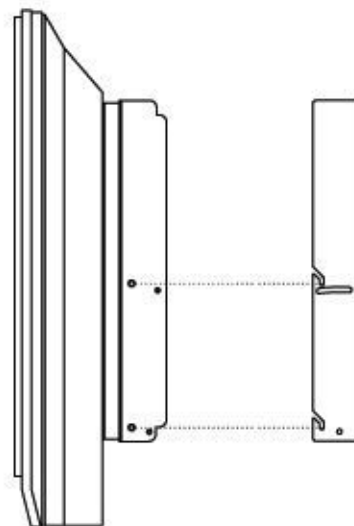
With two people, lift the monitor, with attached LC6X4WTM Front, onto the LC6X4WTM Back making sure that the Socket Head Screws are engaging the Mounting Slots.

Using a long extension and the appropriate security socket tool or socket head driver, insert the Tilt Adjusting Screws and Pivot Screws into the threaded inserts farthest from the monitor.

Remove the Socket Head Screws, only after making sure the Tilt Adjusting Screws and Pivot Screws are installed. Adjust the tilt to the desired viewing angle and tighten all four screws.

Note: Security Screws and Socket Head Screws are provided for convenience. Either can be used to safely install the mount.



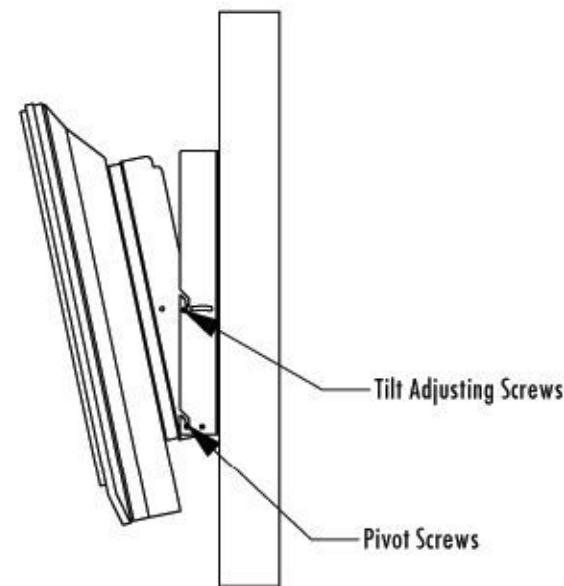


### Monitor Removal

Adjust the monitor tilt to 0° and insert four Socket Head Screws into the threaded inserts closest to the monitor.

Remove the Tilt Adjustment Screws and the Pivot Screws.

Lift the monitor with attached LC6X4WTM Front and separate the front from the back. Carefully set the monitor down and remove the monitor attaching screws.



### Tilt Adjustment

Loosen the Tilt Adjusting Screws

Tilt the monitor to the desired viewing angle.

Tighten the Tilt Adjusting Screws.

### LIMITED WARRANTY

LUCASEY MANUFACTURING CORPORATION MAKES NO WARRANTY OF ANY KIND, EXPRESS OR IMPLIED except that the goods sold under this agreement shall be free of defects in materials and workmanship for a period of one year from the user's date of purchase. User assumes all risk and liability resulting from the use of the goods, whether used singly or in combination with other goods. Lucasey Manufacturing Corporation neither assumes nor authorizes any person to assume for it any other liability in connection with the sale or use of the goods sold and there are no oral agreements or warranties collateral to or affecting this limited warranty. Lucasey Manufacturing Corporation will repair or replace defective parts or equipment within one year of the date of purchase, at its option, provided the part or equipment is returned pre-paid to Lucasey Manufacturing Corporation's plant. The repaired or replaced part shall be shipped to the user, FOB Lucasey Manufacturing Corporation's plant. NO allowance for outside labor charges are implied within the terms of this limited warranty. Under no circumstances will Lucasey Manufacturing Corporation be responsible for special, indirect or consequential damages. The remedies set forth in this Limited Warranty are exclusive and the liability of Lucasey Manufacturing Corporation with respect to any contract of sale or anything done in connection therewith, whether in contract, in tort, under any warranty or otherwise shall not, except as expressly provided herein, exceed the price of the equipment or part on which such liability is based. Any damage caused by the improper use, operation beyond capacity, substitution of parts or equipment not approved by Lucasey Manufacturing Corporation, improper packaging, failure to observe installation or other instructions, transit, or repair by one other than Lucasey Manufacturing Corporation, will not be covered by and shall void this Limited Warranty.



Distributed by:  
i-Tech Company LLC  
TOLL FREE: (888) 483-2418

- EMAIL: [info@iTechLCD.com](mailto:info@iTechLCD.com)
- WEB: [www.iTechLCD.com](http://www.iTechLCD.com)