



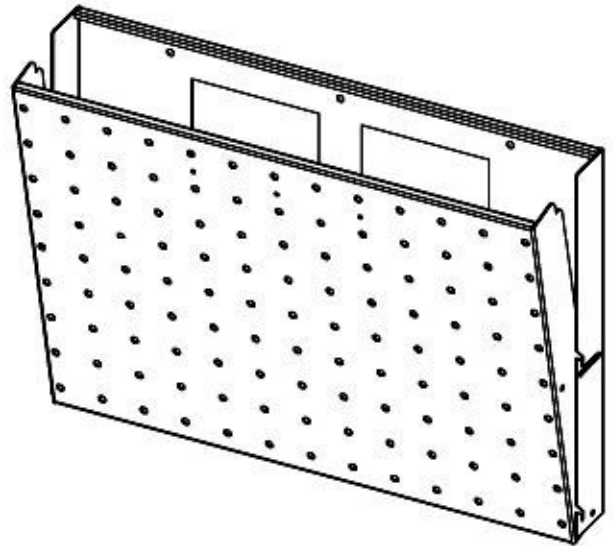
**LC6X4WTM - Security Wall Mount with Tilt for up to 150lbs
Flat Screens with up to VESA® 600mm x 400mm**

The LC6X4WTM Security Wall Mount with Tilt is designed to secure a flat screen, up to 150lbs, to the wall while still allowing the monitor to tilt.

The VESA® mounting patterns on the front of the LC6X4WTM allow it to be mounted to monitors that have mounting patterns of 600mm x 400mm or smaller (including 400mm x 200mm and 200mm x 200mm mounting patterns)

Convenient cutouts for electrical and A/V wiring in the wall.

Using the provided security screws prevents the monitor from being removed without the use of a security screw tool, purchased separately.



Features:

Fits up to 150lbs flat panel monitors with VESA mounting patterns

Universal mounting pattern fits 600mm x 400mm, 400mm x 400mm, 400mm x 200mm and 200mm x 200mm VESA mounting patterns

Tilts up to 12°

Optional Accessories:

WMATB6 - Metal Stud Toggle Bolt Kit
WMAAB6 - Concrete Anchor Bolt Kit

Maximum Load Limit:

150 Lbs. (68.2 Kg.)

Product Weight:

18 Lbs. (8.2 Kg.)

Shipping Weight:

20 Lbs. (9.1 Kg.)

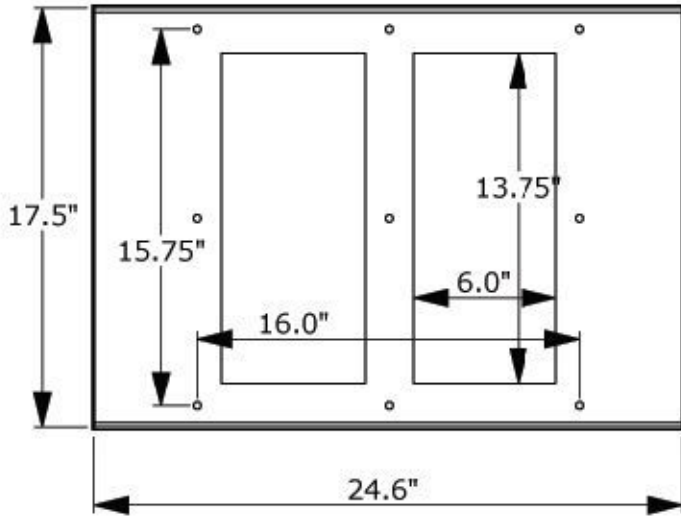
Carton Dimensions:

25"L x 18"W x 3"H

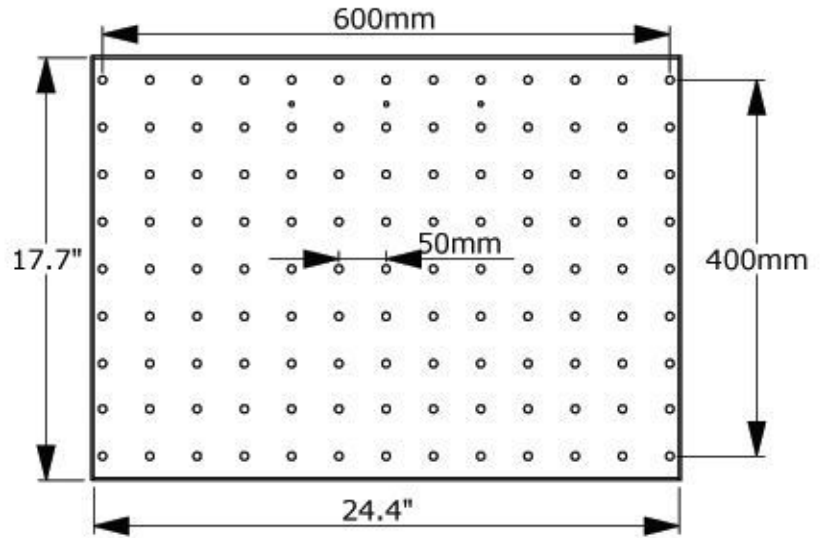
Architectural Specification: The Tilting SecurityWall Mount shall be Lucasey model LC6X4WTM and shall be located where indicated on the plans. It shall feature monitor attaching plates included compatible with VESA 600mm x 400mm or smaller mounting patterns. Assembly and installation shall be done according to instructions provided by the manufacturer.



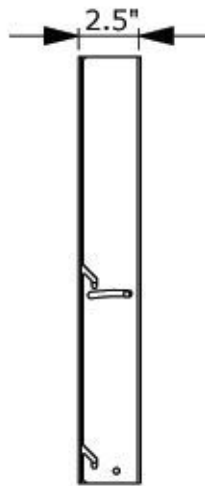
Wall Plate



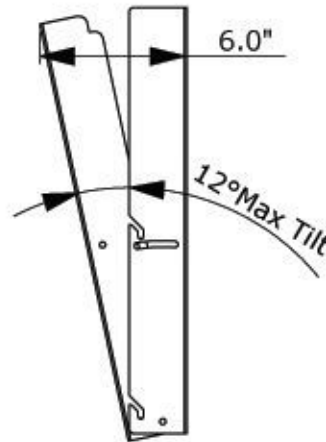
VESA Mounting Plate



Side View



Tilted Side View



Top View

