



**LC2X2WT - Tilting Wall Mount for Flat Screens up to 75lbs  
with 200mm & 100mm Mounting Patterns**

The LC2X2WT attaches to small and medium size flat screens up to 75lbs with 200mm x 200mm, 200mm x 100mm or 100mm x 100mm mounting patterns. The mount allows for tilt adjustment up to 12° while providing security for the monitor. Security screws on the side of the mount require a special security tool to release. The monitor attaching screws and screws into the wall are trapped between the two mounting plates. The space provided by the mount can also be used to mount a lodging CPU box behind the monitor.

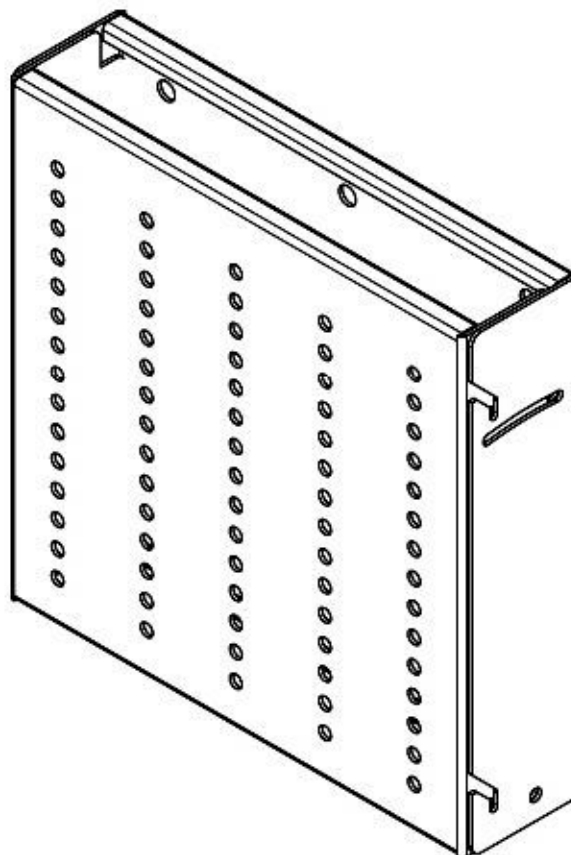
**Features:**

Gloss black baked on finish

Universal mounting pattern fits 200mm x 200mm, 200mm x 100mm & 100mm x 100mm VESA compatible monitors

Tilts up to 12°

Space between wall & mounting plate can be used for Pro-Idiom, Lodgenet & other equipment.



**Optional Accessories:**

WMATB3 - Metal Stud Toggle Bolt Kit  
WMAAB3 - Concrete Anchor Bolt Kit

**Maximum Load Limit:**

75lbs (34.1kg)

**Product Weight:**

5.0lbs (2.3kg)

**Shipping Weight:**

5.5lbs (2.5kg)

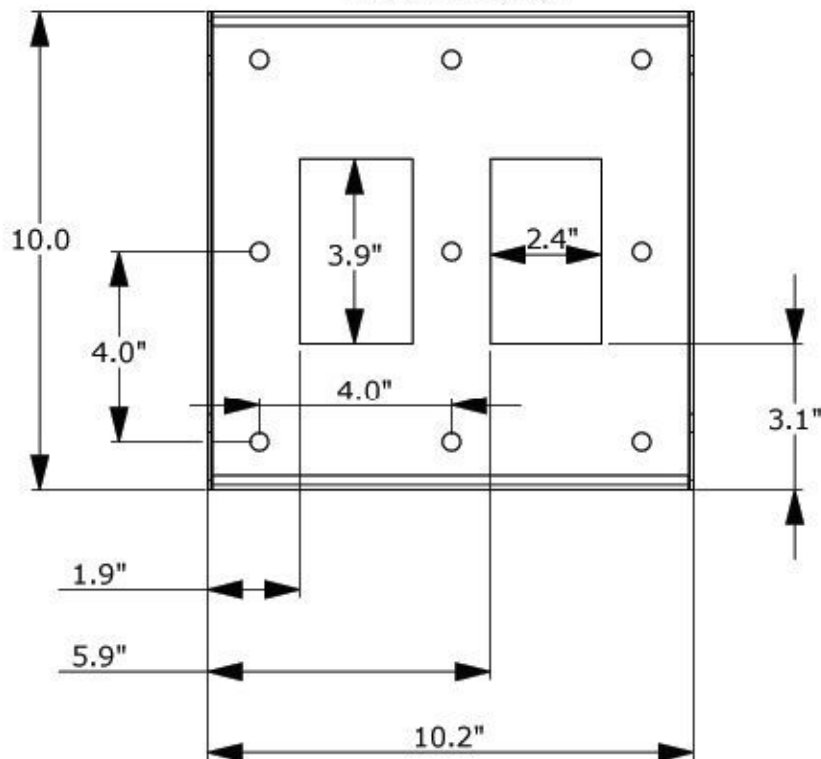
**Carton Dimensions:**

12"L x 12"W x 3"H

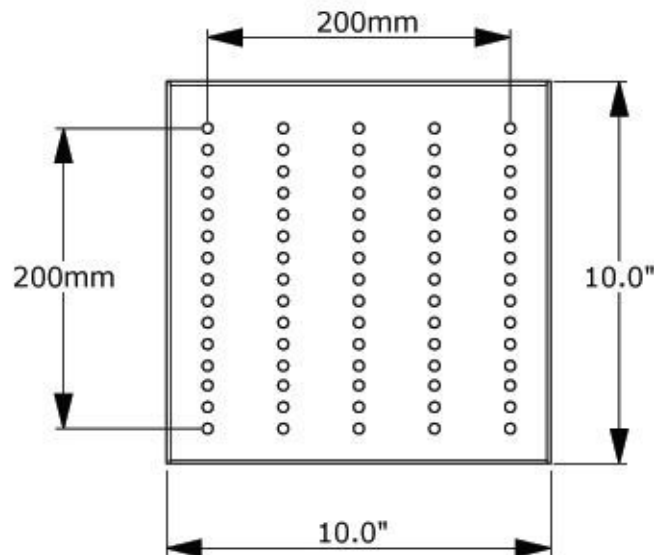
Architectural Specification: The Tilting SecurityWall Mount shall be Lucasey model LC2X2WT and shall be located where indicated on the plans. It shall feature monitor attaching plates included compatible with VESA 100mm and 200mm mounting patterns. Assembly and installation shall be done according to instructions provided by the manufacturer.



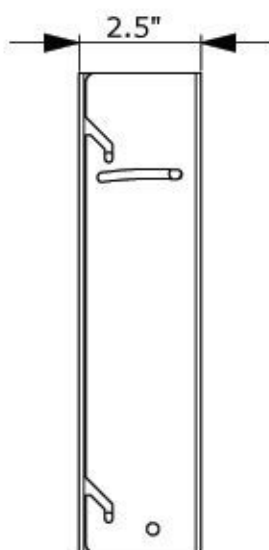
**Wall Plate**



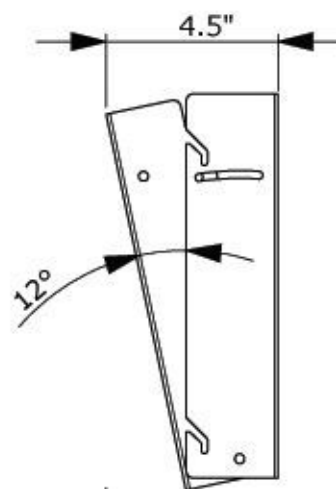
**VESA Mounting Plate**



**Side View**



**Tilted Side View**



Shown with Pro-Idiom Box  
(Not Included with Mount)

**Top View**

