

**LC200F9F** Furniture Mount for Flat Screens up to 75lbs  
with 100mm or 200mm Mounting Patterns

The SLELCD attaches to small and medium size flat screens up to 26"\* with 75mm, 100mm or 200mm mounting patterns. The patented locking mechanism traps the monitor attaching screws providing security for your flat screen. Wood tapping screws are provided for quick and easy installation onto the counter top. An optional adhesive accessory is available for granite, marble or countertops that can not be used for mounting.

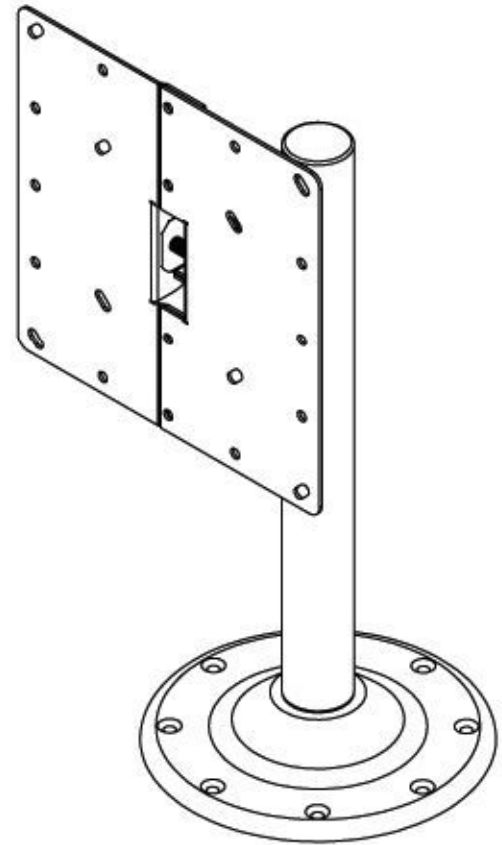
**Features:**

Available in black and silver finishes

Fits from flat screens up to 75lbs

Universal mounting pattern fits 75mm, 100mm & 200mm VESA compatible monitors

4mm, 5mm & 6mm monitor attaching hardware screws and studs are included



**Optional Accessories:**

LCAPDVD - Adapter for hanging DVDs, DVRs and other equipment below the flat screen

**Maximum Load Limit:**

75lbs (34.1kg)

**Product Weight:**

10.5lbs (4.8kg)

**Shipping Weight:**

11.2lbs (5.1kg)

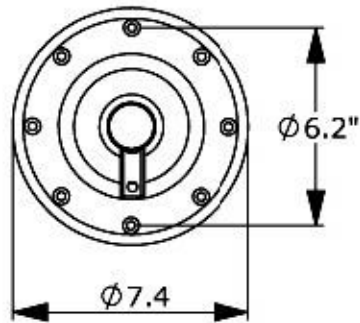
**Carton Dimensions:**

18"L x 10"W x 6-1/2"H

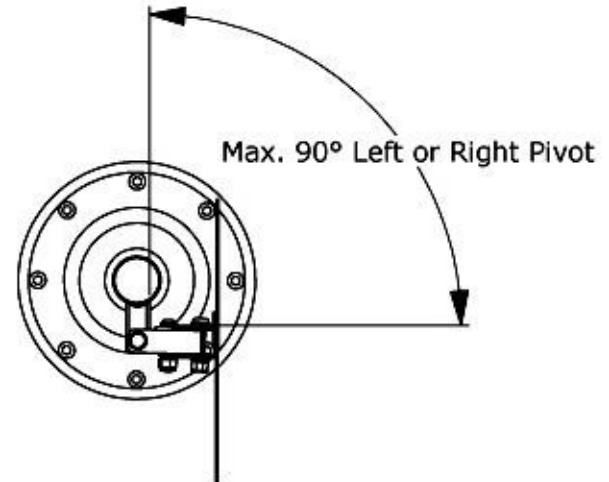
Architectural Specification: The Furniture Mount shall be Lucasey model LC200F9F and shall be located where indicated on the plans. It shall feature monitor attaching plates included compatible with VESA 100mm and 200mm mounting patterns. Assembly and installation shall be done according to instructions provided by the manufacturer.



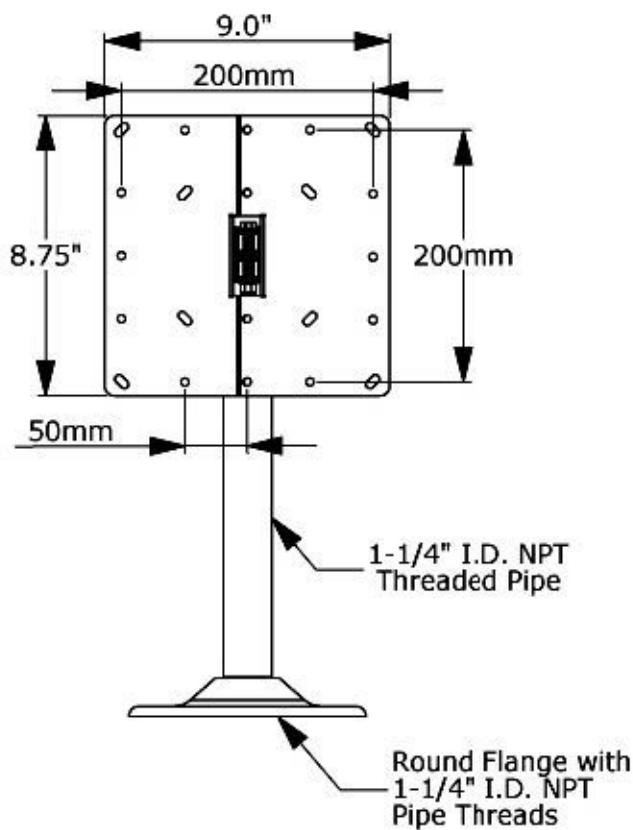
**Round Base**



**Top View**



**Front View**



**Side Views**

