

STAINLESS STEEL TRUE FLAT IP65 TOUCH

Fanless 19" full IP65 stainless steel panel PC with true flat 5W Resistive Touch screen
 Intel i5 7300U, 2x USB, 2x RS232, 2x GLAN, 1x 12V DC in power adapter, all M12
 waterproof connectors with cables, External Heatsink, VESA 100x100
 & Yoke Mount, 1280 x1024 DPI

8GB DDR 4 So-DIMM
 TLC m SATA 256GB SSD
 NO OS



Model: KSP1900i5-FTR

FEATURES:

- Fanless and rugged design
- 7th Gen Intel Core i5 7300U Processor
- Resolution 1280x 1024 dpi
- True Flat 5 Wires Resistive touch solution
- Full 304 IP65 6 sides stainless chassis
- All IP65 M12 waterproof connectors
- 2 x USB, 2 x RS232, 2 x GLAN
- VESA mount & Yoke mount



SPECIFICATIONS:

SYSTEM	
CPU	7th Gen Intel® Core™ i3 7100U (075) / i5 7300U (076) / i7 7600U (077) CPU (On Board)
Memory	1 x 260-pin DDR4 2133MHz SODIMM up to 16 GB
H/W MONITOR	
Watchdog Timer	Watch Dog Timer 256 Level
I/O PORTS	
RS232	2
GLAN	2
USB	2
STORAGE	
Storage	1 x SATA 3.0 2.5" HDD/SSD
EXPANSION	
Mini PCI-E	2 x Full-size
POWER REQUIREMENT	
Power Input Voltage	DC in 12 ~ 24V
TOUCH SCREEN	
Touch screen	5W (one touch)
OS SUPPORT	
OS support	Win Pro 10 / Embedded Win 7, 8, 10 / Win 10 IoT / Linux Fedora 25, Ubuntu 16.04
DISPLAY	
Size	19" TFT (4:3)
Resolution	1280 x 1024
Colors	16.7M
Luminance	350 cd/m2
Contrast Ratio	1000:1
View Angle (H/V)	170°/160°
MECHANICAL & ENVIRONMENTAL	
Heatsink	Back side
I/O ports	Back side
Operation Temp.	0 ~ 45°C
Storage Humidity	10 ~ 90%, non-condensing
Mount	VESA mount (100X100mm) & Yoke mount
Dimension (WxHxD)	521 x 434 x 75 mm
Weight	TBD

*Specifications subject to change without notice, not responsible for typographical errors.

OPTIONAL

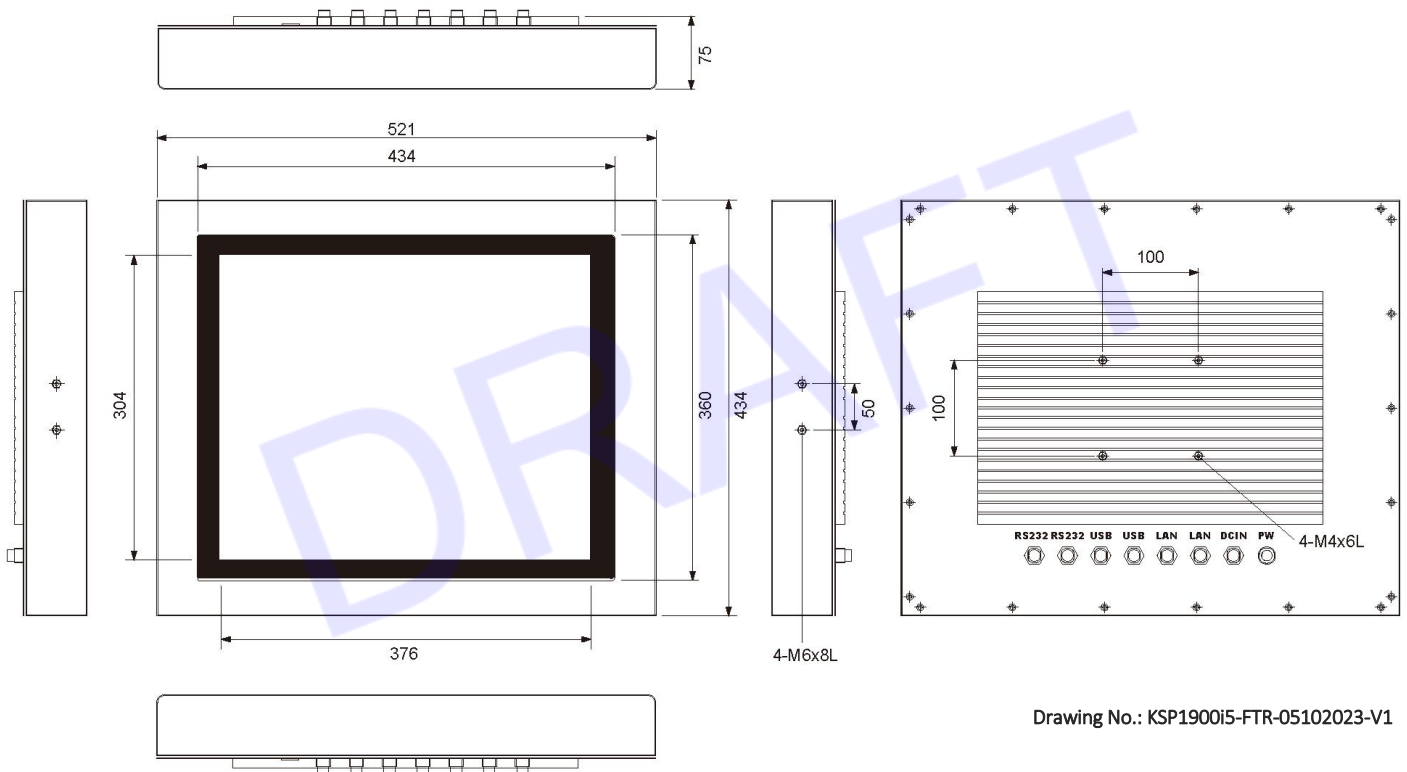
External antenna (WIFI)
Full IP65 Waterproof Power adaptor with European power cord (60W / 90 ~ 295V AC input / 12V DC output)
Full IP65 Waterproof Power adaptor with European power cord (60W / 90 ~ 295V AC input / 24V DC output)
Full IP65 Waterproof Power adaptor with US power cord (60W / 90 ~ 295V AC input / 12V DC output)
Full IP65 Waterproof Power adaptor with US power cord (60W / 90 ~ 295V AC input / 24V DC output)
Optical Bonding
HDMI port
RFID Reader RS232 interface (13.56 MHz standard and 125KHz, Up to 50 mm at 5V ~ 18V)

Optional HB Panel

Resolution	1280 x 1024
Color	16.7M
Luminance	1000 cd/m2
Contrast Ratio	1000 : 1
Viewing Angle (H/V)	170/160°

MECHANICAL DRAWINGS:

This is subject to change without Notice. Final Drawings Will be Provided for Approval after Order.



Drawing No.: KSP1900i5-FTR-05102023-V1