

IP66 Front FANLESS TOUCH PANEL PC

10.1" Fanless Panel PC , 5 Wires Resistive Touch screen , Intel i5 7300U
1 x HDMI, 1x DP++, 1x RS232, 4x USB, 2x LAN, 1x 12V DC in External
Power Adapter , VESA mounting & panel mount, 1280x800 DPI



Model: KPCW1010i5-TR

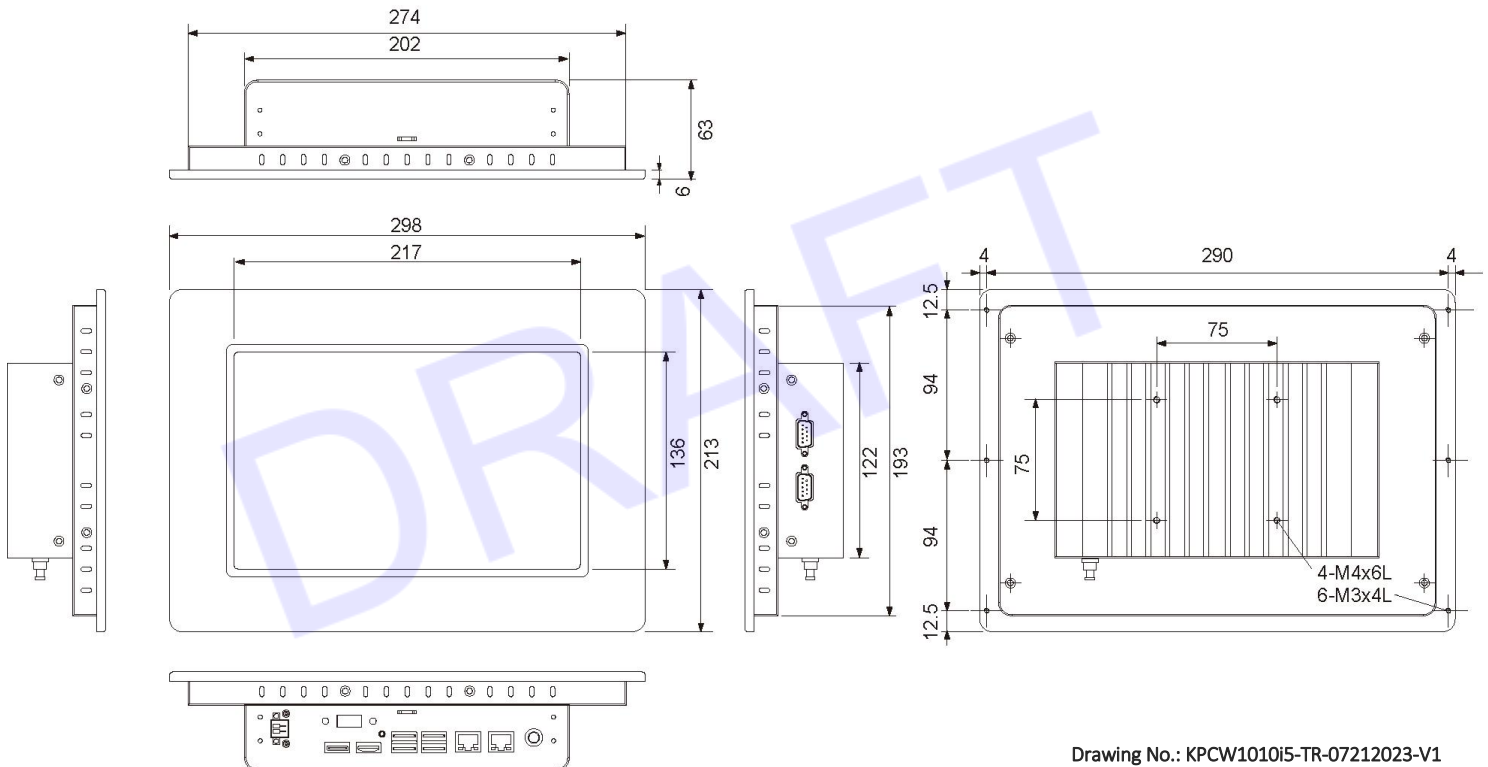


FEATURES:

- Fanless and rugged design
- 7th Gen Intel Core i3 7100U processors
- Resolution 1280x800 dpi
- 5 Wires Resistive touch solution
- IP65 Silver Aluminum front bezel
- 4 x USB, 1 x RS232, 2 x GLAN, 1 x HDMI, 1 x DP
- VESA mount & Panel mount & Clip mount

MECHANICAL DRAWINGS:

This is subject to change without Notice. Final Drawings Will be Provided for Approval after Order.



Drawing No.: KPCW1010i5-TR-07212023-V1

SPECIFICATIONS:

SYSTEM	
CPU	7th Gen Intel Core i5 7300U CPU (On Board)
Memory	1 x 260-pin DDR4 2133MHz SODIMM up to 16 GB
H/W MONITOR	
Watchdog Timer	Watch Dog Timer 256 Level
I/O PORTS	
RS232	2
HDMI	1
DP	1
USB	4
GLAN	2
STORAGE	
Storage	1 x SATA 3.0 2.5" HDD/SSD
EXPANSION	
Mini PCI-E	2 x Full-size
POWER REQUIREMENT	
Power Requirement	2 Pin power terminal block for DC in 12 ~ 24V
TOUCH SCREEN	
Touch screen	5 Wires Resistive (one touch)
OS SUPPORT	
OS support	Win Pro 7, 8.1, 10 / Embedded Win 7, 8.1, 10 / Fedora 25 Ubuntu 16.04
DISPLAY	
Size	10.1" TFT (16:9)
Resolution	1280x800
Colors	16.7M
Luminance	500 cd/m2
Contrast Ratio	800 : 1
View Angle (H/V)	170°/170°
MECHANICAL & ENVIRONMENTAL	
Operation Temp.	0 ~ 45°C
Storage Humidity	10 ~ 90%, non-condensing
Mount	VESA mount (75 X 75mm) & Panel mount & Clip mount
Dimension (WxHxD)	298 x 213 x 63 mm
Weight	TBD
OPTIONAL	
external antenna (WIFI)	
Optical Bonding	
8pcs x Clips	
1 x RS232/422/485	
Waterproof sponge	

**Specifications subject to change without notice, not responsible for typographical errors.*